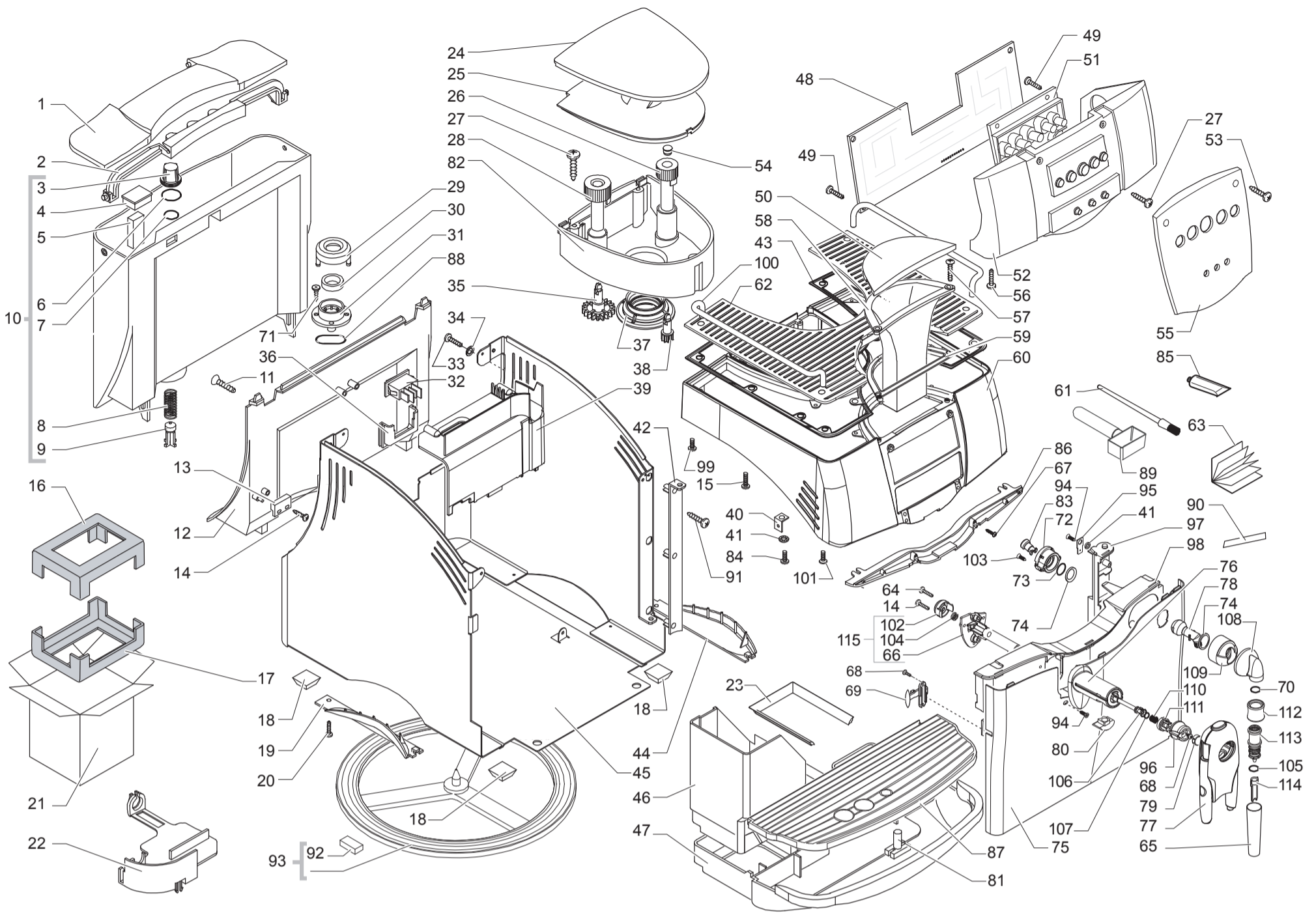


Saeco SUP 021 YR SBS
INTERNATIONAL GROUP



Cod. 7 4 08 15 - 16

POS	CODE	DESCRIPTION	NOTE	POS	CODE	DESCRIPTION	NOTE
01	222762841	WATER CONTAINER LID SMART SILVER		41	128310304	WASHER UNI 8842 A3 BURNISHED	
02	146580950	BLACK KNOB WATER CONTAINER LID SMAR		42	226481441	DOOR HINGE KIT SMART SILVER	
03	144650800	WATER TANK FILTER			222630541	DOOR HINGE SMART SILVER	
04	149214359	BLACK CAP FOR FLOATING SPACE LAV.				FROM S/N. 9005SA40022837	
05	9161.112.150	LEVEL FLOAT GREY		43	145852262	SILICONE SEAL FOR CUPWARMER SMART	
06	140328461	EPDM OR METRIC 0190-10		44	225920141	HANGRIP DX SMART SILVER	
07	140324362	OR METRIC 0060-30 IN SILICONE		45	11001021	MATT SILVER CASING SMART	
08	126764718	SPRING FOR WATER CONTAINER VALVE		46	11005555	BLACK DUMP BOX SMART SILK/SCREEN	
09	147660562	GREY WATER VALVE CONTAINER PISTON		47	229630841	SILVER DRIP TRAY SMART	
10	222693580	WATER CONTAINER AS.SMART TRANS/GREY		48	181553258	TERMINAL BOARD FOR CA SMART-RP	230V
11	12000381	SCREW TSP PZ2/TT M3X8 UNI 8109 ZINC			181553255	TERMINAL BOARD FOR CA SMART-RP	120V
12	149194650	SUPP. WATER CONTAINER W/O LAMP HOUSING		49	129660302	PANELVIT TCB SCREW 3X10 DIN 7505 Z	
13	283551900	2 POLE LEVEL SENSOR AS.SMART	230V	50	222762741	GROUND COFF.CONTENT.LID SMART SILVER	
	283551955	2 POLE LEVEL SENSOR AS.SMART	120V	51	281561300	TOUCH PANEL ELECTRON.BOARD AS.SMART	
14	129910921	HI-LO TC SCREW 3X10 STEEL		52	149194450	BLACK SUPPORT ELECTRONIC CARD SMART	230v
15	129573402	SCREW TAPT M4X10 DIN 7985 GALV			149194452	BLACK SUPPORT ELECTRONIC CARD SMART	120v
16	175898500	UPPER TECHMATE INSERT FOR BOX SMART		53	129512904	SCREW TCB 2,9X12,7 DIN 7981 BURN	
17	13000300	LOWER TECHMATE INSERT FOR BOX SMART		54	149213059	CAP FOR KNOBS BEAN CONTAINER	
18	147623150	SQUARE ADHESIVE FOOT 5023 BLACK		55	224884841	FRONT PANEL SILVER SMART S/S.INCANTO RS	
19	225920241	HANGRIP SX SMART SILVER		56	129533202	SCREW TSPTORX T10 3,5X9,5 D7982 NI	
20	129511803	SCREW TCB 2,9X6,4 DIN 7981 NICK		57	129532521	SCREW TSP2,9X9,5 DIN 7982 SS	
21	178515000	FLEXOGR.BOX 5COLORS SAEC.INCANTO RS		58	149260850	HOPPER BLACK GROUND COF.DOSE SMART	
22	148601650	1GROMMET FOR POWER CABLE SMART		59	145851950	GROUND COFFEE CONT.SEAL UPPER SMART	
23	229170450	SEALING SUPPORT AS.WATER DRIP TRAY		60	222811241	SILVER COVER W/OPEN SILK/SCREEN SMART	
24	222762641	BEAN COFF.CONTAIN.LID SMART SILVER		61	127390100	BRUSH FOR CLEANING	
25	142813879	TRANS/BLU LID SAFETY AROME CAF.CONT.SMAR		62	282800686	CHROM/SRHAM AL.CUPWARM. LID SMART AS.	
26	227721359	GREY COFFEE DOSE ADJUST.KNOB S/S.SMART		63	165891500	INSTRUCT.MANUAL SAECO TYPE SUP021YR	
27	U140.004	PANELVIT TCB 3,0X12 DIN 7505 B GAL			165891517	INSTRUCT.MANUAL SAECO TYPE SUP021YR	
28	227721459	GRIND.ADJUSTM.GREY KNOB SMART S/SCR			225930301	INSTRUC.MANUAL SAECO SUP021YR CH AS	
29	0701.031.150	SEAL COVER GREY		64	129571121	SCREW TCB PH/SW 3X14 UNI 8112 INOX	
30	145842900	WATER CONTAIN.VALVE SEAL GACO DIM14		65	122842121	SS EXTERNAL COVER PANNARELLO G100	
31	0701.014.150	SEAL CONTAINER GREY		66	11002322	COFFEE DISPENSER TUBE FOR ADJUST.SHAFT	
32	NE03.028	SWITCH B1031C1181000W				FROM S/N. 9006SA40349625	
33	129661204	SCREW PANELVIT TCB 3X16 DIN7505 BRU		67	129660902	PANELVIT TCB SCREW 3,5X12 D.7505 Z	
34	128310321	WASHER UNI 8842 A3 SS		68	129670302	TCB PANELVIT SCREW 2,9X9,5 TES.D=7,5 ZNP	
35	146000850	GEAR COFF. GRIND. ADJUSTMENT COMBI		69	146313740	DISENGAGE LEVER GREY/SILV. DOOR SMART	
36	149202550	BLACK SWITCH GENERAL SUPPORT SMART		70	140324461	OR METRIC 0060-20 IN TERMOIL	
37	145852360	BEAN COFFEE CONTAINER SEAL SMART		71	129535721	SCREW TSP3,5X9,5 DIN 7982 SS	
38	146001950	COFFEE DOSE ADJ.GEAR BLACK SMART		72	149200450	SUPPORT FOR ARTICULATED JOINT	
39	147755800	INTERNAL CASING PROTECTION POWER CABLE		73	140329162	OR 117 IN SILICONE 70 SH	
40	NE15.002	MALE TONGUE 90° 6,3 D.3,7					

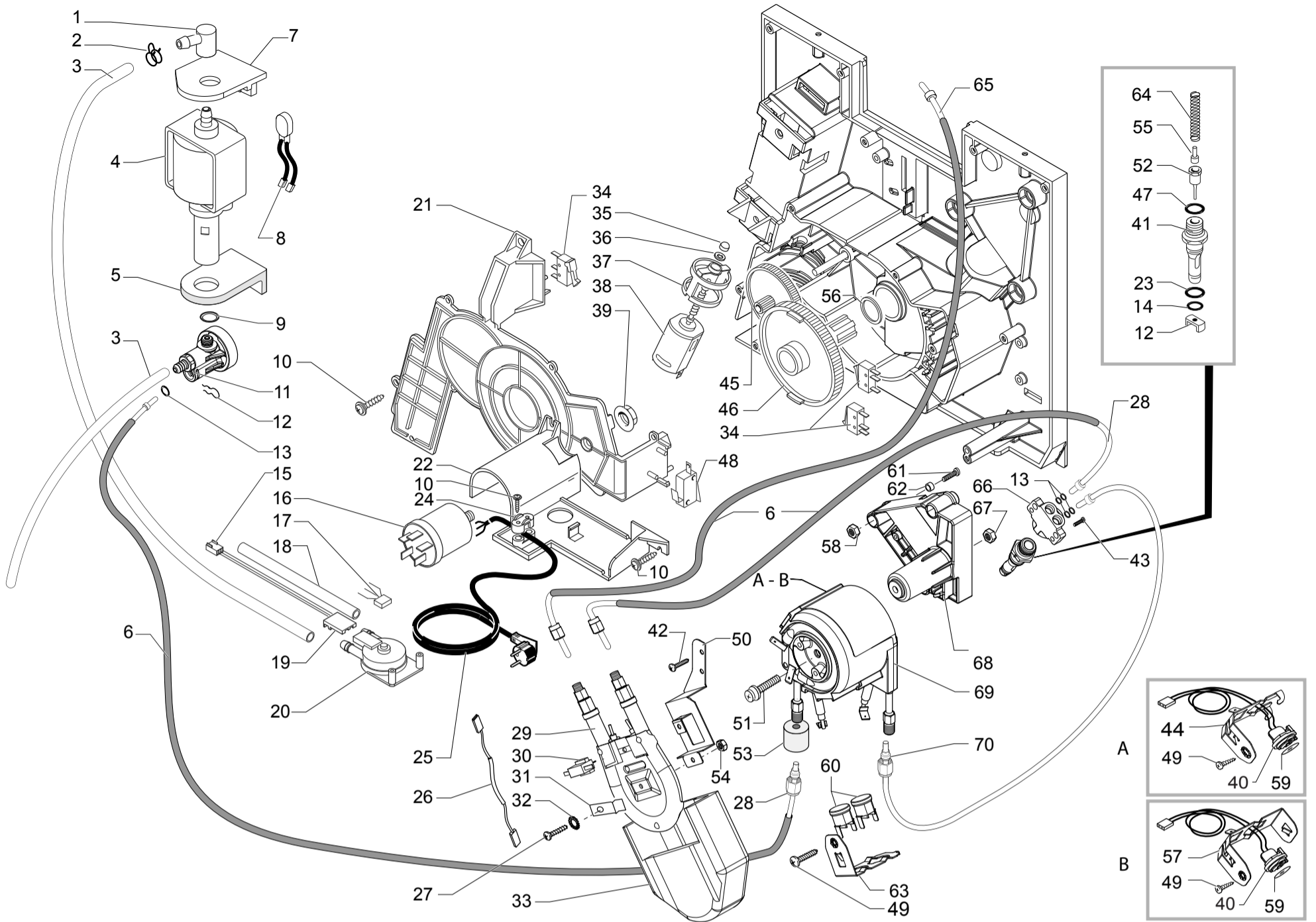


Saeco SUP 021 YR SBS
INTERNATIONAL GROUP



Cod. 7 4 08 15 - 16

POS	CODE	DESCRIPTION	NOTE	POS	CODE	DESCRIPTION	NOTE
74	148620900	SEMISPHERE SEAL FOR ARTICULAT.JOINT		110	126772518	SPRING FOR CREAM ADJUSTMENT SHAFT	
75	11001020	MATT/SILVER DOOR METALLIC SMART		111	149198700	SUPPORT CREAM ADJUSTMENT SHAFT	
76	229184704	COFFEE DISPENSER SUPPORT WITH HOLE		112	147757050	BLACK STEAM TUBE PROTECTION SMART2	
77	223701041	SILVER COFFEE DISPENSER SMART ASSY.		113	222270249	BLACK UPPER TUBE FOR PANNARELLO ASSY.	
78	147922249	CONNECTOR FOR ARTICULATED JOINT		114	4301018000	LOWER INTERNAL PIPE	
79	229200250	BLACK CAP FOR KNOB CREAM ADJUSTMENT		115	20000960	SPARES KIT FOR COF. DISPENSER TUBE NEW UP TO S/N 9006SA40349624	
80	145854962	SEAL FOR COFFEE DISPENSER V2 SMART					
81	145501211	RED FLOAT FOR DRIP TRAY SMART					
82	142713879	BEAN CONTAINER TRANSP/BLUE SMART					
83	145896949	RETAINING INSERT TEFLON TUBE					
84	129570402	SCREW TAPT. M3X6 DIN 7985 ZNP					
85	11005044	SAECO KLUBER TRIBOSTAR SIL 2 TUBE 5GR.					
86	145895600	GREY INSERT FOR COVER SMART					
87	225741041	SILVER GRATE SMART					
88	140320461	OR METRICO 0080-20 IN TERMOIL					
89	146680850	BLACK COFFEE MEASURE SMART					
90	0301.961	WATER HARDNESS TEST					
91	129740202	SCREW TSP PH/TT 4X10 UNI 8113 ZNP	WITH DOOR HING.V2				
	129511903	SCREW TCB 2,9X6,4 DIN 7981 BZ NICK	WUTH PART. N°42				
		FROM S/N. 9005SA40022837					
92	9991.096	ADHESIVE FOOT 8X15X3,2					
93	220380259	ROTATING RING SMART WITH 3 FEET					
94	129562603	SCREW TSC PZ-B 2,9X9,5 UNI 6956 NI	WITH PART. N°92				
95	186401000	FLAT TABS 6,3 D=4,5 0010364200					
96	227701104	CREAM ADJUSTM.KNOB GLOSS CHR.PLATED					
97	229183541	SUPPOR.HINGE DOOR METAL.SMART SILV.					
98	229183141	SUPPORT DOOR METALLIC SMART SILVER					
99	129824002	TCB SCREW M4X10 UNI 7687 ZNP					
100	127751420	CUPS PROTECTION SMART NOT/CHROMED					
101	129854202	TSP SCREW M4X10 UNI 7688 ZNP					
102	149213450	CAP FOR COFFEE DISPENSER TUBE					
		FROM S/N. 9006SA40349625					
103	129571521	SCREW TCB PH/SW 3X18 UNI 8112 INOX					
104	11002323	CONIC SEAL FOR COFFEE DISPENSER TUBE					
		FROM S/N. 9006SA40349625					
105	140320762	OR 108 IN SILICONE					
106	140640200	CREAM ADJUSTMENT SHAFT					
107	140326661	OR METRIC 0040-20 IN EPDM					
108	228660304	CONNECTOR FOR STEAM TUBE					
109	228660204	CONNECTOR FOR STEAM TUBE					

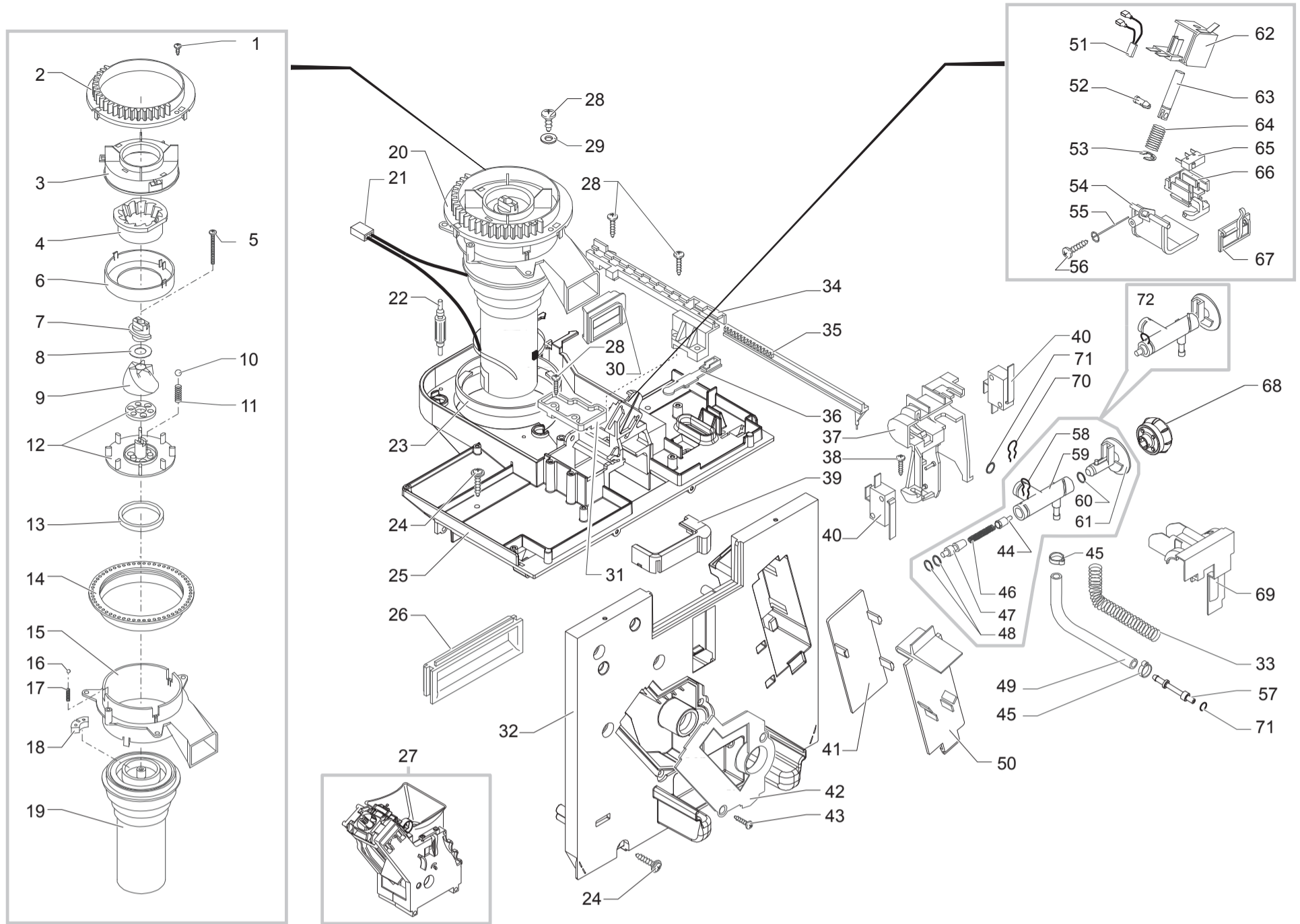


Saeco SUP 021 YR SBS
INTERNATIONAL GROUP



Cod. 7 4 08 15 - 16

POS	CODE	DESCRIPTION	NOTE	POS	CODE	DESCRIPTION	NOTE
01	147920150	90°CONNECTOR PUMP INLET		37	9121.044	ANTIVIBRATION FOR MOTOR	
02	183420200	HARNESS + THERMAL FUSE 141 DEG		38	11005214	MOTOR FOR RATIOMOTOR P124 ASSY.	
03	149360200	SILICONE TUBE 5X8 70SR	IN ROLL	39	123453602	FLANGE NUT M8 TOOTHED BASE GALV.	
04	12000140	ULKA PUMP EP5/S GW	230V-50HZ	40	288582300	SENSOR ELECT.BOARD WITH CONNECTOR ASSY.	
	12000131	ULKA PUMP EP5/S	120V-60HZ	41	9011.100	PEG FOR VALVE IN PLASTIC	
	12000132	ULKA PUMP EP5/S GW	220V-50/60HZ	42	129573402	SCREW TAPT M4X10 DIN 7985 GALV	
05	149185850	EATON PUMP SUPPORT MAGIC 4002012		43	129910103	HI -LO TC SCREW 3,5X15 RIF.910189	
06	149361200	BLACK SILICONE TUBE 7,5X9,3	IN ROLL	44	126838217	SENSOR FIXING SPRING	FROM S/N. 9004SA40082650
07	149205710	PUMP SUPPORT HOLE 13,2 RED		45	9121.042	GEAR Z.12/90	
08	0311.807	YELLOW HARNESS KLIXON JP 13	230V	46	9121.069.150	GEAR Z=108 FOR MOUNTING PLATE M4000	
	289201000	THERMAL. PROTECT 120°C CABLE.125/3	120V	47	140320459	OR METRICO 0080-20 SILICON.PTFE/FDA	
09	140321961	OR 2031 IN TERMOIL		48	186723800	MICROSWITCH SAIA X3M502K2KAM92AS	
10	129670202	TCB PANELVIT SCREW 3,5X16 TESTA D=8 ZNP		49	129573202	SCREW TCB PH/TT 4X8 UNI 8112 ZNP	
11	229452100	COMPENSATION AND SAFETY VALVE 16BAR AS.		50	129025002	BRACKET BOILER SMART SUPPORT	
12	11005099	NATURAL CURSOR V2 FOR BOILER P119		51	129932202	ROUND HEAD SCREW 10,9 M5X20 GALV	
13	140328059	OR 2015 IN SILICONE PTFE/FDA		52	11009019	TEA/BRASS PISTON L=20,9 ASSY.	
14	NM01.057	OR ORM 0050-20 SILICONE		53	147756562	PROTECTION FOR FOLK SPRING TUBE D=4	
15	283551300	3POLE CONNECT.AS.TURBINE JP18 SMART		54	U302.003	NUT HEXAGONAL M4 UNI 5588	
16	184651100	ANTIDISTURB FILTER 0,47X2+1000Y2+0,5L	230V	55	11009013	TEA/BRASS PIN FOR PISTON L=10	
	184651500	ANTIDISTURB FILTER 16A FNC 1610474472A	120V	56	9161.132	MYLAR WASHER FOR RATIOMOTOR	
17		PARTICULAR NOT AVAILABLE	SEE PART. N°20	57	126838017	SENSOR FIXING SPRING	UP TO S/N. 9004SA40082649
18	JS01.022	SILICONE TUBE 5X10 60 SHORE	IN ROLL	58	U310.003	NUT SELF LOCK.M5 UNI 7473	UP TO S/N. 9005SA40226768
19	9161.018	BRACKET FOR TURBINE		59	145951600	ELECTRIC INSULATING DISK D=16	
20	286473300	-M-VDE TURBINE WITH SENSOR KIT	WITH PART: N°17	60	189428200	THERMOSTAT 175° 1NT-08L-3794	230V
21	9161.331.920	TRANSPARENT RATIOMOTOR COVER			189428600	THERMOSTAT 175° 1NT-08L-5125	120V
22	149194800	NATURAL TURBINE SUPPORT SMART		61	U044.020	SCREW TSP M5,0X30 UNI 7688 GALV.	UP TO S/N. 9005SA40226768
23	NM01.035	OR ORM 0090-20 SILICONE			129932502	SCREW TCEI 5X30 PLAST.ZN-B	FROM S/N. 900540226769
24	148600600	CABLE CLAMP V0 MAGIC ESP COMBI UL		62	9161.206	INSULATING SPACER FOR BOILER	
25	183910450	POWER CABLE SCHUKO BLACK L=1500		63	126838117	2 THERMOSTATS FIXING SPRING	
	183940250	BLACK POWER CABLE AUSTR.H05+FAST.L=1500		64	9011.132	SPRING FOR PIN	
	183930250	POW.CABLE CH BLACK H05+3FAST.L=1500		65	227875400	CONNECTOR AS.TEFLON 2X4 L=330 MM	
	183990950	BLACK POWER CABLE RVV 3X1 CHINA L=1590		66	147922700	BOILER SUPPORT CONNECTOR	
	183921650	POWER CABLE SJT3C USA BLACK 3F.L=1590		67	123453902	SELF-LOCKI.NUT M5X0,8 DIN 980 CLA.8	
26	183440800	CABLE 1 WIRE SILIC.BLACK THERM/FUSE 229°	230V	68	20000204	SPARES KIT SUPPORT BOILER SMART	UP TO S/N. 9005SA40226768
	183441062	CABLE 1WIRE SILICONE BLACK AWG18+TH/FUSE	120V		149197700	SUPPORT FOR ALLUMINIUM BOILER SMART	FROM S/N. 900540226769
27	129823802	TCB SCREW M4X8 UNI 7687 ZNP		69	282058858	ALUM.BOILER WITH RESISTANCE	230V
28	227874900	CONNECTOR AS.TEFLON 2X4 L=250 MM			282058855	ALUM.BOILER WITH RESISTANCE	120V
29	288140458	HEATING-ELEMENT BLECKMAN ASSY.	230V-1000W	70	227876800	CONNECTOR TEFLON 2X4 L=235 MM ASSY.	
	288140455	HEATING-ELEMENT BLECKMAN ASSY.	120V-1000W		289435200	GENERAL TURBINE FOR SMART ASSY.	
30	189428300	THERMOSTAT 175° INTERCONTR.161471002			282133758	BOILER SMART/RS 230V ASSY.	
31	127535319	GALV/STEEL THERMAL FUSE FIXING PLATE			282136255	ALUM.BOILER 120V AS.WITH RESISTANCE	
32	128310404	WASHER UNI 8842 A4 BURNISHED					
33	147755900	HEAT.ELEMENT PROTECT. BLECKMANN SMART					
34	NE05.038	MICROSWITCH					
35	9121.046	SINTERED BUSH FOR MOTOR					
36	148380200	WASHER BAKELIZZATE D=5,5					

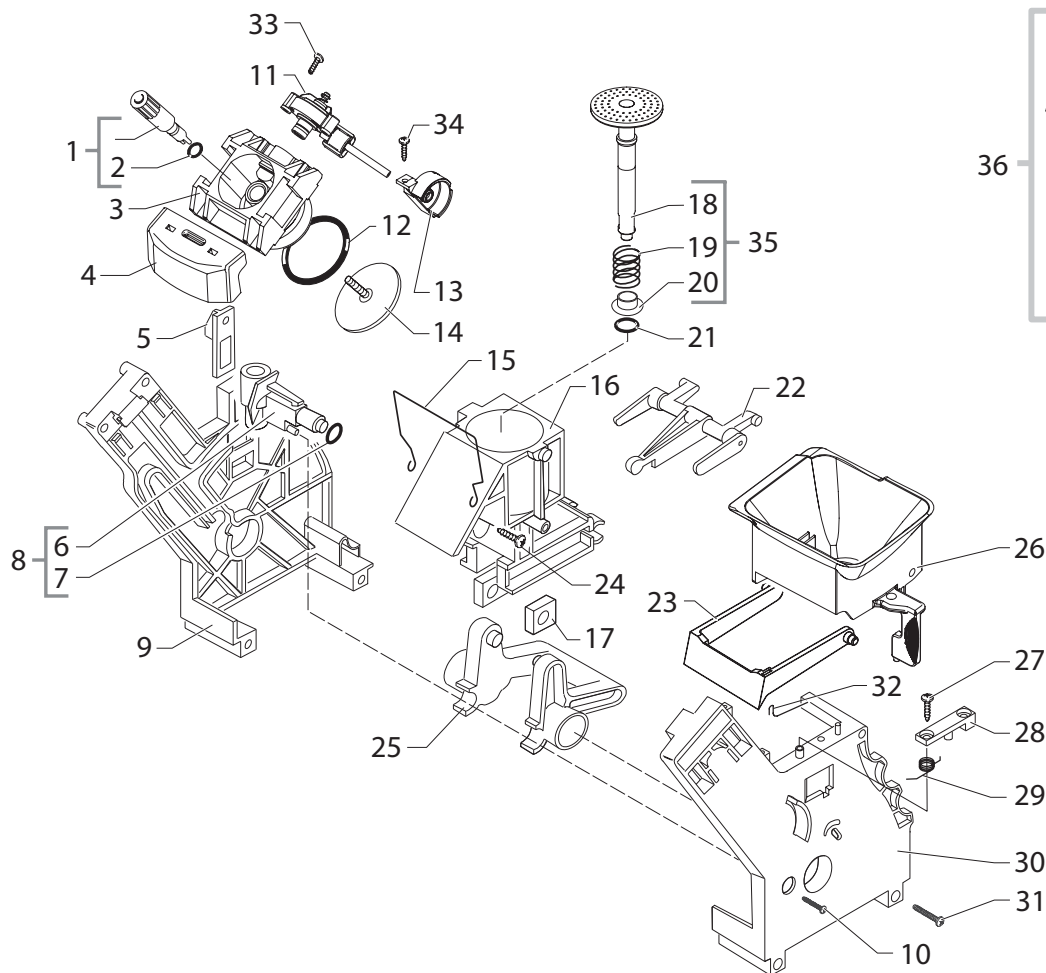


Saeco SUP 021 YR SBS
INTERNATIONAL GROUP



Cod. 7 4 08 15 - 16

POS	CODE	DESCRIPTION	NOTE	POS	CODE	DESCRIPTION	NOTE
01	129511803	SCREW TCB 2,9X6,4 DIN 7981 NICK		34	147572150	PLATE FIXING TOOTHED SLIDE SMART	
02	148650250	SECTOR GEARGRIND ADJUSTMENT KNOB COMB		35	148740550	TOOTHED SLIDE FOR DOSE ADJUST SMART	
03	149186150	BLACK UPPER GRINDER SUPPORT MAGIC		36	9161.122.150	DOSE ADJUSTMENT LEVER GREY CLASSIC	
04		PARTICULAR NOT AVAILABLE	SEE PART. N°09	37	11005343	BLACK FAUCET SUPPORT V2 SMART	
05	129931002	TORX SCREW T10 TCB 3,5X40 SX ZNG		38	129660902	PANELVIT TCB SCREW 3,5X12 D.7505 Z	
06	142844550	UPPER GRINDER COVER COFFEE GRIND. MAGIC		39	145852560	GROUND COFFEE CONT.SEAL LOWER SMART	
07	147470763	INCREASE SCREW PIN COFFEE GRINDER MAGIC		40	186724200	MICROSWITCH SAIA X3M502K2KAJ32AV	
08	U201.002	PLAIN WASHER 10X16X0,2DIN 988 GAL		41	9161.345.050	BLACK INTERNAL COVERING PUMP SPACE	
09	226473500	KIT TECNICA GRINDERS	WITH PART. N°04	42	9161.333.050	BLACK BOILER COVER SMART	
10	128610521	STAIL.STEEL AISI 304 SPHERE D=5,5MM		43	129535721	SCREW TSP3,5X9,5 DIN 7982 SS	
11	126765517	STEEL SPRING SPHERE D=5,5 MOTOR MAGIC		44		PARTICULAR NOT AVAILABLE	SEE PART.N°72
12	149188750	CONICAL GRIND. SUPP. + RING MAGIC		45	NF11.052	OETIKER CLIP	
13	140360200	FELT RING 40X34X5		46		PARTICULAR NOT AVAILABLE	SEE PART.N°72
14	146570950	RING NUT FOR GRINDING ADJUSTMENT MAGIC		47		PARTICULAR NOT AVAILABLE	SEE PART.N°72
15	149194200	GRINDER MOTOR SUPPORT SMART		48		PARTICULAR NOT AVAILABLE	SEE PART.N°72
16	128610421	STAIL.STELL AISI 304 SPHERE D=3,2MM		49	229432900	BRAIDED SILICONE TUBE 3X7 L=156 MM	
17	126770117	NEW SPRING SPHERE D=3,2 MOTOR MAGIG		50	9161.332.050	BLACK EXTERNAL COVERING PUMP SPACE	
18	140230400	SHOCK ABS .CONICAL GRINDER SUPP.MAGIC		51	289202200	THERMAL.PROTECTOR 100°C	
19	286851858	MOTOR AS. NEW MAGIC DE LUXE	230V	52	9161.076.150	DOSER DOOR PIN GREY	
	286851855	MOTOR AS. NEW MAGIC DE LUXE	120V	53	U701.003	SNAP RING 7 UNI 7434	
20	286883858	GENER.MOT.AS.230V M5000 (ITALY/V2)	230V (I)	54	9161.074.150	DOSER DOOR GREY	
	286883758	GENER.MOTOR AS.230V M5000 (STD/V2)	230V OTH. COUNTRY	55	9161.048	SCRAPER ROD	
	286883755	GENER.MOTOR AS.120V M5000 (STD/V2)	120V	56	U140.004	PANELVIT TCB 3,0X12 DIN 7505 B GAL	
21	283544900	2POLES CONN.AS.COF.GRIN.JP1 33MH CA	230V	57	227961303	STRAIGHT CONNECTOR	
	283544955	2POLES CONN.AS.COF.GRIN.JP1 33MH CA	120V	58		PARTICULAR NOT AVAILABLE	SEE PART.N°72
22	9991.103	ANTIVIBRATION FOR COFFEEGRINDER		59		PARTICULAR NOT AVAILABLE	SEE PART.N°72
23	9141.052	COFFEEGRINDER REINFORCING RING		60		PARTICULAR NOT AVAILABLE	SEE PART.N°72
24	129670202	TCB PANELVIT SCREW 3,5X16 TESTA D=8 ZNP		61		PARTICULAR NOT AVAILABLE	SEE PART.N°72
25	147531500	BLACK GRINDER SUPPORT PLATE P107		62	283770658	ELECTROMAGN.SMART ASSY.	230V
26	145895350	BLACK INSERT FOR MOUNT.PLATE SMART			283770755	V2 COFFEE DOSER COIL ASSY.	120V
27	11004188	BLACK BREW UNIT V2 NEW/SBS SMART SEE TAB. COD. EXPL. E90055 NEXT PAGE NOTE: FOR SINGLE PART. OF THE OLD GROUP COFFEE' GREY: SEE EXPL. COD. E90038 LAST PAGE		63	9161.041	DOSER ELECTROMAGNET CORE	
28	129660102	PANELVIT TCB SCREW 3,5X18 D.7505 Z		64	126764818	SPRING ELECTROM.BEAN DOSER MAGIC	
29	U207.004	PLAIN WASHER 4,3X16 UNI 6592 GAL		65	186701200	MICROSWITCH SAIA XCC5-81	
30	145851862	GROUND COFFEE OUTLET SEAL SMART		66	149185959	BEAN DOSER MICRO SUPORT MAGIC	
31	145895400	INSERT FOR DOSER SMART		67	148700559	COFFEE DOSER DOSE ADJ. SEL. GR MAG	
32	227533000	BOILER SUPPORT PLATE SMART ASSY.		68	227710904	STEAM KNOB ZAMAS CHROM.PLATED SMART	
33	126772018	SPRING DI=7,5 FOR FABRIC FINISH TUB		69	147756400	PROTECTION FAUCET BODY WATER/STEAM	
				70	9011.144	FORK FOR TUBE D.4	
				71	140328059	OR 2015 IN SILICONE PTFE/FDA	
				72	20007014	KIT STEAM FAUCET SMART ASSY.	COMPLETE

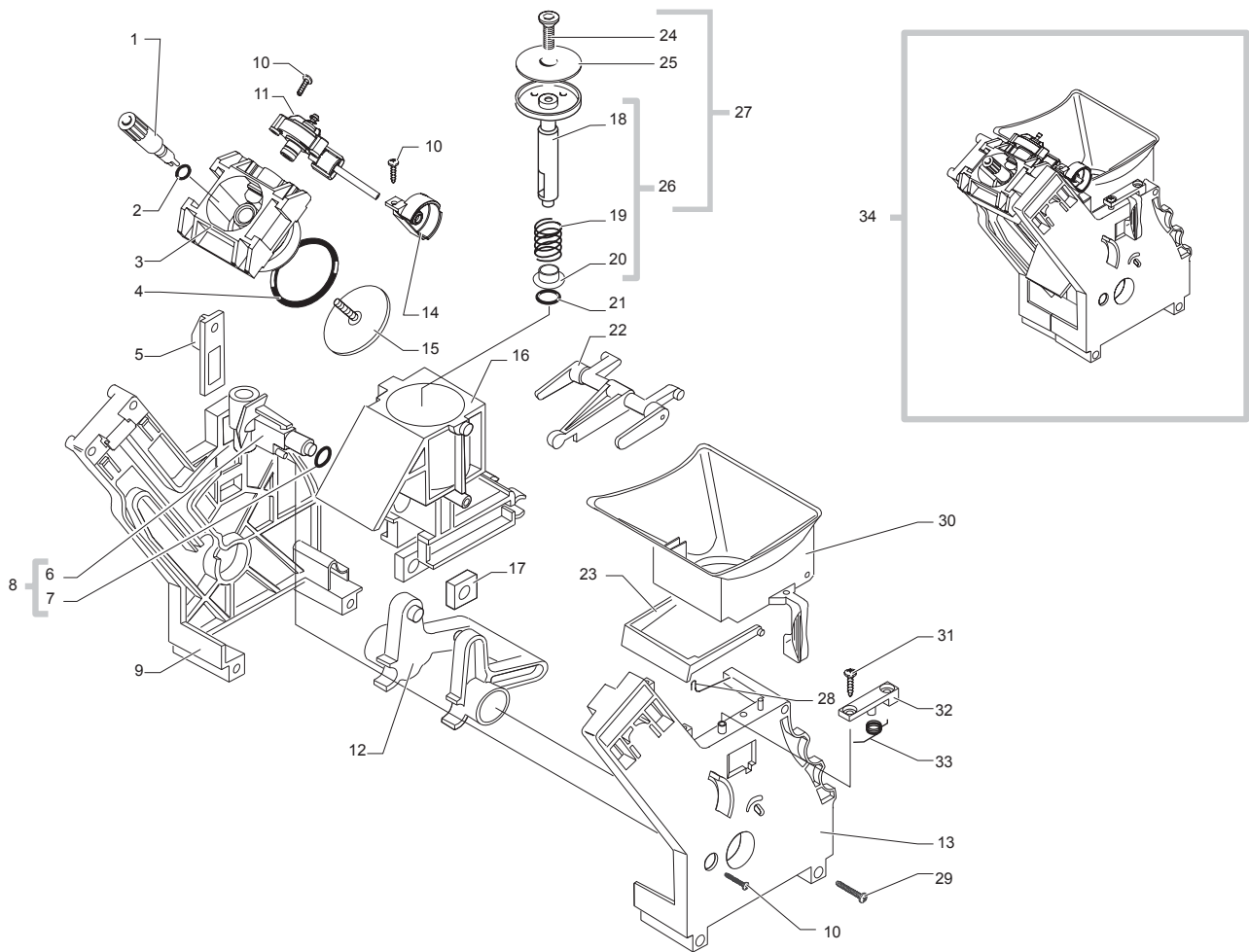


Saeco SUP 021 SBS
INTERNATIONAL GROUP



Cod. 11004188

POS	CODICE	DESCRIZIONE	NOTE	POS	CODE	DESCRIPTION	NOTE
01	227470150	AS.PERNO X DOCCIA COMPLETO NERO		01	227470150	PIN BLACK ASS.FOR PERCOLATOR	
02	NM02.006	OR R5 TERMOIL		02	NM02.006	OR R5 TERMOIL	
03	11003428	CONTROPISTONE X GRUPPO CAFF.SMART NERO		03	11003428	BLACK COUNTERPISTON FOR SMART COF.UNIT	
04	11000197	PROTEZIONE X SCHIZZI GRUPPO CAFFE' SMART		04	11000197	PROTECTION FOR BREW UNIT SMART	
05	9161.373.050	PIASTRINA AGGANCIAMENTO GRUP.CAF.SMART NERO		05	9161.373.050	BLACK COUPLING PLATE BREW UNIT SMART	
06	9161.064.050	MANICOTTO ENTRATA ACQUA GRUP.CAFF.NERO		06	9161.064.050	BLACK WATER INLET SLEEVE BREW UNIT	
07	NM02.007	OR 2025 TERMOIL		07	NM02.007	OR 2025 TERMOIL	
08	20000440	GRUPPO RICAMBIO MANICOTTO NERO		08	20000440	BLACK SPARE SLEEVE UNIT	
09	9161.375.050	PIASTRA POSTERIORE GRUPPO SMART NERO		09	9161.375.050	BLACK REAR PLATE FOR BREW UNIT SMART	
10	12000550	VITE TCB 3X25 PLAST.INOX		10	12000550	SCREW TCB TORX 10 3X25 PLAST.SS	
11	229452400	AS.GEN.VALV.SAECO BREWING SYSTEM SMART		11	229452400	SAECO BREWING SYSTEM VALVE SMART ASSY.	
12	NM01.044	OR ORM 0320-40 IN SILICONE PTFE/FDA		12	NM01.044	OR ORM 0320-40 IN SILICONE PTFE/FDA	
13	149198850	SUPPORTO TUBO TEFLON GRUPPO SMART NER		13	149198850	BLACK SUPPORT TEFL. TUBE BREWUNIT SMART	
14	9160.075	AS.DOCCIA DE=35,8 ELFO C/VITE E DADO		14	9160.075	PERCOLATOR DE=35,8 ELFO ASSY.	
15	11001556	MOLLA RASATORE H=49 X GRUPPO CAF.SMART		15	11001556	SPRING H=49 FOR COFFEE BREW UNIT SMART	
16	11003075	AS.CONT.CAF.C/BOCC.SALD.GRUPP124 8G.NER	CON PART.N°21	16	11003075	BLACK COFFEE CONTAINER BREW UNIT P124	WITH PART.N°21
17	9161.094.050	BLOCCHETTO FORATO GRUP.CAFFE' PANERO		17	9161.094.050	BLACK DRILLED BLOCK BREW UNIT	
18	11003077	AS.PISTONE INTEGRALE GRUP.P124 8GR.NERO		18	11003077	BLACK INTEGRAL PISTON UNIT P124 8GRASS	
19	9161.198	MOLLA PISTONE GRUPPO CAFFE' M5000		19	9161.198	PISTON SPRING BREW UNIT M5000	
20	9161.191	BOCCOLA PISTONE GRUP.CAFF.M5000 NEUTRO		20	9161.191	NEUTRAL PISTON BUSH BREW UNIT M5000	
21	NM02.018	OR METRICO 0090-25 IN TERMOIL		21	NM02.018	OR ORM 0090-25 TERMOIL	
22	11003078	BIELLA X GRUPPO P124 8GR.NERO		22	11003078	BLACK CONNECTING ROD FOR UNIT P124 8GR.	
23	11004161	RASATORE X GRUPPO CAFFE' NERO		23	11004161	BLACK SCRAPER FOR COFFEE UNIT	
24	129912521	VITE TCB R 3,5X14 PLAST.INOX		24	129912521	SCREW TCB TORX 10 3,5X14 PLAST.SS	
25	9161.066.050	ALBERO A GOMITO X GRUPPO NERO		25	9161.066.050	ELBOW SHAFT FOR UNIT BLACK	
26	11003786	TRAMOGGIA GRUPPO CAFFE' V2 SMART NERO		26	11003786	BLACK HOPPER DOSER BREW UNIT V2 SMART	
27	12000895	VITE TSP 3X10 PLAST.INOX		27	12000895	SCREW TSP TORX 10 3X10 PLAST.SS	
28	9161.374.050	PIASTRA FISS.TRAMOGG.GRUP.CAF.SMART NERO		28	9161.374.050	BLACK HOPPER BLOCKING PLATE UNIT SMART	
29	9161.378	MOLLA TRAMOGGIA GRUPPO CAFFE' SMART		29	9161.378	SPRING HOPPER SMART BREW UNIT	
30	11005920	PIASTRA ANT.GRUPPO SMART S/F.NER.SER.NEW		30	11005920	BLACK FRONT PLATE BREW UNIT SMART S.SCR.	
31	12000897	VITE TCB 3,5X20 PLAST.INOX		31	12000897	SCREW TCB TORX 10 3,5X20 PLAST.SS	
32	9161.046	MOLLA X RASATORE GRUPPO		32	9161.046	SPRING FOR UNIT SCRAPER	
33	U109.027	VITE TCB 2,9X19 LAMIERA INOX		33	U109.027	SCREW TCB TORX 10 2,9X19 SHEET SS	
34	129910921	VITE TCB 3X10 PLAST.INOX		34	129910921	SCREW TCB TORX 10 3X10 SS	
35	11023086	AS.GEN.PISTONE INTEGR.GRUP.CAF.8GR.NER.		35	11023086	BLK 8GR.BREW UNIT NTEGR.PISTON GEN.ASSY.	
36	11004188	GRUPPO CAFFE' V2 SMART/NEW/SBS NERO		36	11004188	BLACK BREW UNIT V2 NEW/SBS SMART	



Saeco
INTERNATIONAL GROUP

GRUPPO CAFFE' X C.A. SUP 021 YDR S.B.S.



Cod. 225802059 -2159

POS	CODICE	DESCRIZIONE	NOTE	POS	CODE	DESCRIPTION	NOTE
01	225802059	GRUPPO CAFFE' SMART/SBS S/FORO GRIGIO	①	01	225802059	BREW UNIT WITH VALVE SMART NO/HOLE	①
02	225802159	GRUPPO CAF.SMART/SBS/ELFO S/FORO GRIGIO	ALTRI PAESI	02	225802159	BREW UNIT WITH VALVE SMART/ELFO	OTHER COUNTRY
03	NM02.006	OR R5 TERMOIL		03	NM02.006	OR R5 TERMOIL	
04	9161.369.150	CONTROPISTONE X GRUPPO CAFF.SMART GRIG		04	9161.369.150	GREY COUNTERPISTON FOR SMART COFFEE UNIT	
05	NM01.044	OR ORM 0320-40 SILICONE PTFE/FDA		05	NM01.044	OR ORM 0320-40 SILICONE PTFE/FDA	
06	9161.373.150	PIASTRINA AGGANCIO GRUPPO SMART GRI		06	9161.373.150	COUPLING PLATE BREW UNIT SMART	
07	9161.064.150	MANICOTTO ENTRATA ACQUA GRIGIO		07	9161.064.150	WATER INLET SLEEVE GREY	
08	NM02.007	OR 2025 TERMOIL		08	NM02.007	OR 2025 TERMOIL	
09	0301.R04.150	GRUPPO RICAMBIO MANICOTTO GRIGIO		09	0301.R04.150	SPARE SLEEVE UNIT GREY	
10	9161.375.150	PIASTRA POSTERIORE GRUPPO SMART GRIGIO		10	9161.375.150	GREY REAR PLATE FOR BREW UNIT SMART	
11	U109.028	VITE AUT.TCB 2,9X9,5 DIN 7981 C INOX		11	U109.028	SCREW AUT.TCB 2,9X9,5 DIN 7981 C	
12	229452400	AS.VALVOLA SAECO BREWING SYSTEM SMART		12	229452400	SAECO BREWING SYSTEM VALVE SMART ASSY	
13	9161.066.150	ALBERO A GOMITO X GRUPPO GRIGIO		13	9161.066.150	ELBOW SHAFT FOR UNIT GREY	
14	227532959	PIASTRA ANT.GRUPPO SMART S/FORO GRI.SER		14	227532959	FRONT PLATE FOR BREW UNIT SMART	
15	149198859	SUPPORTO TUBO TEFLON GRUPPO SMART GRI		15	149198859	SUPPORT FOR TEFLON TUBE BREW UNIT	
16	11001458	DOCCIA INTEGRALE DE.=35,8 CON VITE M3x20	ALTRI PAESI	16	11001458	PERCOLATOR DE=35,8 WITH SCREW M3x20	OTHER COUNTRY
17	223740300	AS.DOCCIA DE=35,8 C/VITE E DADO	①	17	223740300	PERCOLATOR DE=35,8 ASSY.	①
18	9161.195.150	CONTENITORE COMPL.X GRUPPO GRIGIO		18	9161.195.150	COMPLETE CONTAINER FOR UNIT GREY	
19	9161.094.050	BLOCCHETTO FORATO X GRUPPO NERO		19	9161.094.050	DRILLED BLACK BLOCK FOR UNIT	
20	9161.211.050	PISTONE NUOVO NERO CON INSERTO		20	9161.211.050	NEW PISTON WITH INSERT BLACK	
21	9161.198	MOLLA X PISTONE		21	9161.198	SPRING FOR PISTON	
22	9161.191	BOCCOLA X PISTONE NEUTRO		22	9161.191	BUSH FOR PISTON NEUTRAL	
23	NM02.018	OR METRICO 0090-25 IN TERMOIL		23	NM02.018	OR ORM 0090-25 TERMOIL	
24	9161.065.150	BIELLA X GRUPPO GRIGIO		24	9161.065.150	CONNECTING ROD FOR BREW UNIT GREY	
25	9161.060.150	RASATORE X GRUPPO CAFFE' GRIGIO		25	9161.060.150	GREY SCRAPER FOR COFFEE UNIT	
26	129852821	VITE TSP M3X14 UNI 7688 INOX		26	129852821	TSP SCREW M3X14 UNI 7688 SS	
27	9161.167	DOCCIA D.35,8		27	9161.167	PERCOLATOR D.35,8	
28	9161.210.050	PISTONE COMPLETO NERO X GRUPPO		28	9161.210.050	COMPLETE PISTON FOR UNIT GREY	
29	0301.R16.050	GRUPPO RICAMBIO PISTONE NUOVO NERO		29	0301.R16.050	SPARE PISTON UNIT NEW BLACK	
30	9161.046	MOLLA X RASATORE GRUPPO		30	9161.046	SPRING FOR UNIT SCRAPER	
31	U109.026	VITE AUT.TCB 3,5X19 DIN 7981 C INOX		31	U109.026	SS.SCREW AUT.TCB 3,5X19 DIN 7981 C	
32	149261159	TRAMOGGIA X GRUPPO CAFFE' SMART/V2 GRIGIA		32	149261159	GREY HOPPER DOSER BREW UNIT SMART/V2	
33	U109.027	VITE AUT.TCB 2,9X19 DIN 7981 C INOX		33	U109.027	SS.SCREW AUT.TCB 2,9X19 DIN 7981 C	
34	9161.374.150	PIASTRA FISSAG. TRAMOG. GRUPPO SMART GRIGIO		34	9161.374.150	GREY HOPPER BLOCKING PLATE UNIT SMART	
	9161.378	MOLLA TRAMOGGIA GRUPPO SMART			9161.378	SPRING HOPPER SMART GROUP	
	227470150	AS.PERNO X DOCCIA COMPLETO NERO	ALTRI PAESI		227470150	PIN BLACK ASS.FOR PERCOLATOR	OTHER COUNTRY
	227470159	AS.PERNO X DOCCIA COMPLETO GRIGIO	①		227470159	PIN GREY ASS.FOR PERCOLATOR	①

Saeco
INTERNATIONAL GROUP

GRUPPO CAFFE' X C.A. SUP 021 YDR S.B.S.

Rev. 02 - 02/10/06

TAVOLA 1/1