

bonavITA®

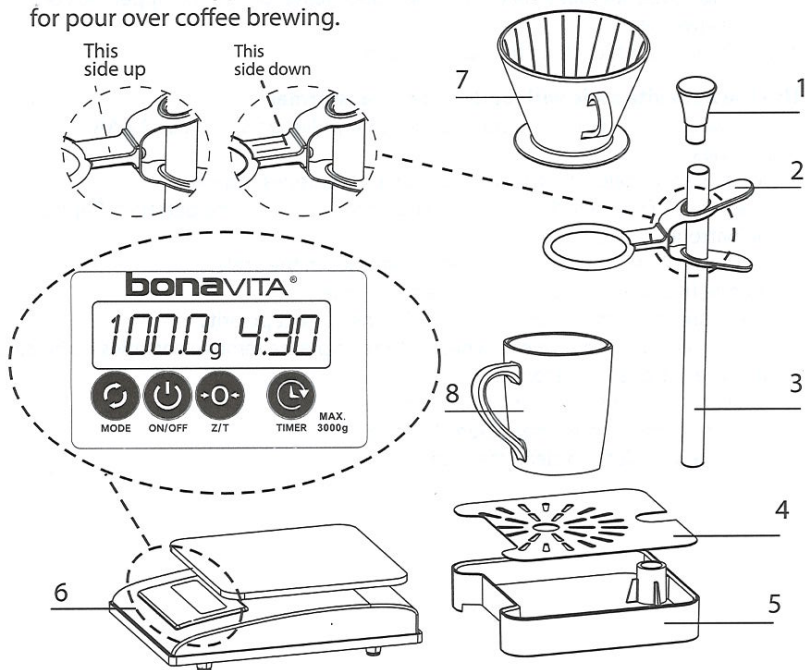
BV5000DTLS Bonavita Drip Tray Lab Stand

BV2000SCLS Bonavita Scale Lab Stand

Customer assistance line:

USA 1-855- 664 -1252 or Email: customerservice@bona-vita.biz

Thanks for your purchase of the Plastic drip tray base with lab stand or the scale with the dripper, read the manual carefully to operate the Dripper stand for pour over coffee brewing.

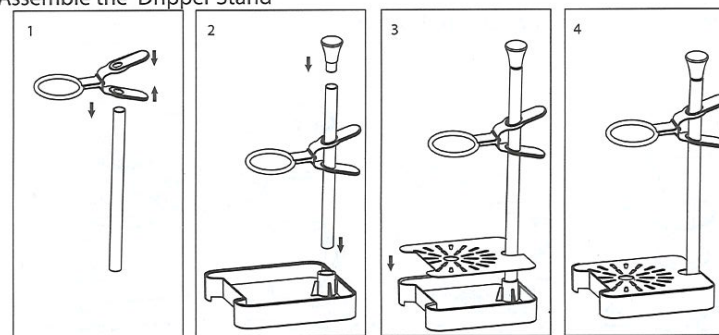


- | | |
|---|-------------------------------------|
| 1. Cap | 6. Bonavita Scale |
| 2. Adjustable Height Pour-Over-Filter Support | 7. Pour Over Filter (User Supplied) |
| 3. Main Support Tube | 8. Mug or Cup (User Supplied) |
| 4. Drip Cover | |
| 5. Drip Pan | |

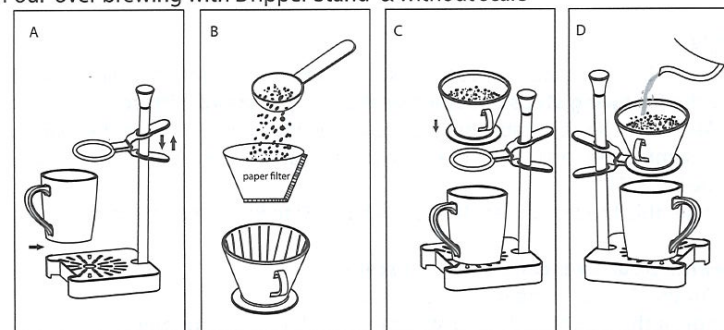
1

Printed in China

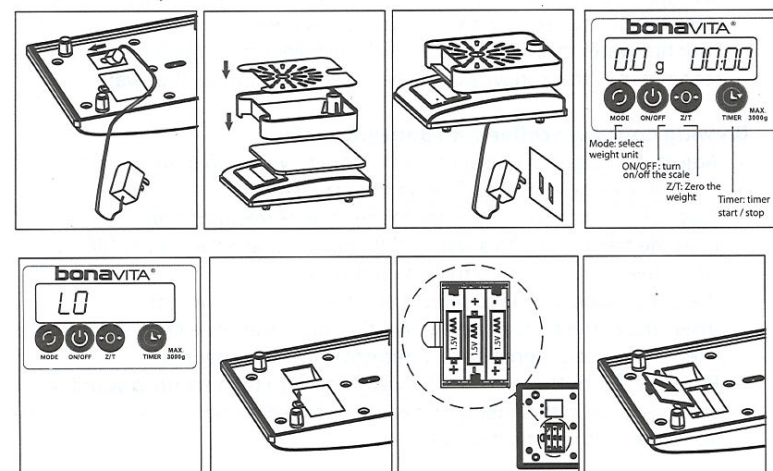
Assemble the Dripper Stand



Pour-over brewing with Dripper Stand & without scale



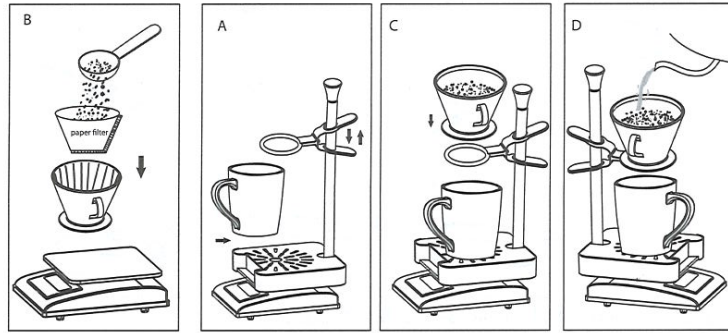
Bonavita scale operation



2

Printed in China

Pour-over brewing with Dripper Stand & scale



OPERATION

1. Remove all the packaging and take out all components from package carefully.
2. **Use the following steps to assemble the dripper stand with scale.**
 - Assemble the adjustable height pour-over filter support (2) on the main tube (3)
 - Assemble the cap (1) into the main tube (3) and assemble the main tube (3) to the base (5)
 - Assemble the drip cover (4) into the base (5) to finish the assembly.
3. **Brewing pour-over coffee without scale.**
 - Put the dripper stand on a level surface.
 - Adjust the height of dripper stand to fit with your cup or mug.
 - Insert the correct size paper filter in the pour-over cone filter and scoop in your favorite ground coffee in the filter. Bonavita recommends Melitta paper filters.
 - Place the pour over filter on the dripper stand ring.
 - Pour hot water through the filter and enjoy your fresh brewed coffee. Bonavita recommends the Bonavita gooseneck kettle to pour the hot water.
4. **Brewing pour-over coffee with Bonavita scale**
 - Adjust the height of dripper stand to fit with your cup or mug.
 - Put the scale on a level surface and breeze free area.
 - Plug the transformer connector to the scale correct position.
 - Plug the transformer to a wall outlet whose voltage can be AC 100 - 240V, press the ON/OFF button to turn on the scale.
 - Press the mode button to select your desired unit of weight.
 - Insert the correct size paper filter in the pour-over cone filter, then put the filter on the scale. Bonavita recommends Melitta paper filters.
 - Press the Z/T button to reset the weight to zero then scoop in your favorite ground coffee in the filter until get your desired weight. The weight will be displayed on the left of the LCD.

- Put the dripper stand on the scale surface, then place the cup on the dripper tray.
 - Press the Z/T button to reset the weight to zero.
 - Pour hot water through the filter carefully and the weight will be displayed on the left of the LCD.
 - Press the timer button on the scale to start count up timer and display on the right of the LCD display, press the timer button one more time to stop. Press the timer again will reset. The max time is 9 Min. 59 seconds.
- Note: the scale max weight range is 3kg.

5. **Clean the Dripper stand and scale.**

- The drip cover, and base are dishwasher safe. Please load in the upper rack of the dishwasher.
- Use the soft cloth to clean the scale surface.

6. **Use the Bonavita scale with batteries or transformer**

- The scale can use either the transformer to supplier power or use 3 AAA batteries.
- Don't use the scale with the transformer and batteries together.
- When the LCD display "LO" it means you need to change the batteries. Replace the batteries to the scale.
- Don't mix different brands or styles of batteries in the scale.
- Change the batteries together at the same time.
- Make sure the batteries are inserted with the correct polarity.
- If not in use for a long time or when in storage please remove batteries from scale.
- Only use supplied transformer.
- Don't use the transformer in other products
- Disconnect the transformer when cleaning.
- Don't use wet cloth to clean the transformer.