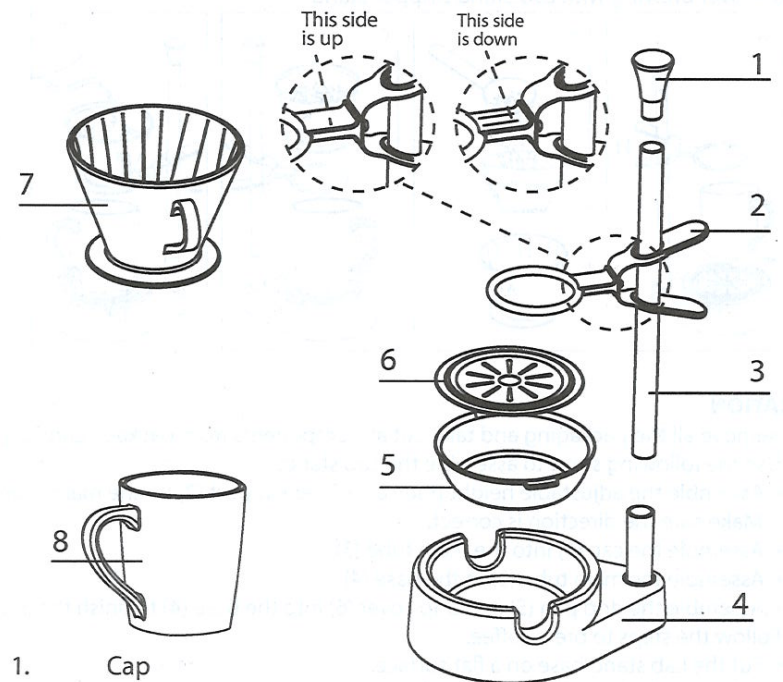


bonavITA

BV5000LS Pour over coffee Dripper Stand

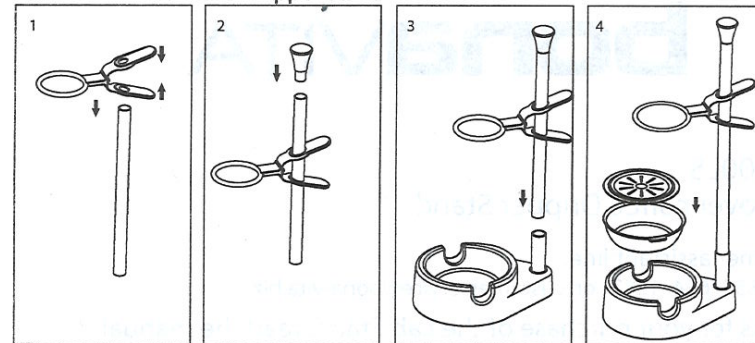
Customer assistant line:
USA 1-855-664-1252 or customerservice@bona-vita.biz

Thanks for your purchase of the Lab Stand, read the manual carefully to operate the Lab stand for pour over coffee brewing.

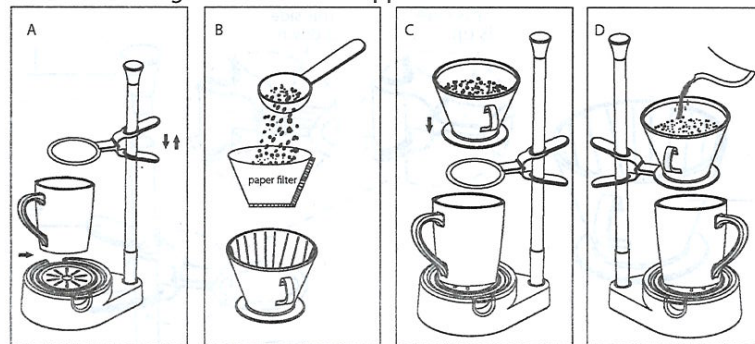


- | | | | |
|----|---|----|-------------------------------------|
| 1. | Cap | 6. | Drip Cover |
| 2. | Adjustable Height
Pour-Over-Filter Support | 7. | Pour Over Filter
(User Supplied) |
| 3. | Main Support Tube | 8. | Mug or Cup
(User Supplied) |
| 4. | Base | | |
| 5. | Drip Pan | | |

Assemble the Lab Stand Dripper Stand



Pour-over brewing with Lab Stand Dripper Stand



OPERATION

1. Remove all the packaging and take out all components from package carefully.
2. Use the following steps to assemble the Lab stand.
 - Assemble the adjustable height pour-over filter support (2) on the main tube (3). Make sure the direction is correct.
 - Assemble the cap (1) into the main tube (3)
 - Assemble the main tube (3) to the base (4)
 - Assemble the drip pan (5) and drip cover (6) into the base (4) to finish the assembly.
3. Follow the steps to brew coffee.
 - Put the Lab stand base on a flat surface.
 - Adjust the height of Lab stand to fit with your cup or mug.
 - Insert the correct size paper filter in the pour-over cone filter and scoop in your favorite ground coffee in the filter. Bonavita recommends Melitta paper filters.
 - Place the pour over filter on the Lab stand ring.
 - Pour hot water through the filter and enjoy your fresh brewed coffee. Bonavita recommends the Bonavita gooseneck kettle to pour the hot water.
4. Clean the Lab Stand and pour-over filter.
 - The drip pan, drip cover, and base are dishwasher safe. Please load in the upper rack of the dishwasher.