



HOUSEHOLD USE ONLY

## STAINLESS STEEL VACUUM BOTTLE Instruction Manual

Thank you for your purchase of this quality Zojirushi product. We are confident that it will give you top performance and optimum satisfaction for many years. To ensure this, please read and follow the important guidelines below.

- This bottle is for holding beverages and keeping them hot or cold. Please do not use for other than intended purposes.

### Important Safeguards:

Please follow these instructions to prevent scalding, deterioration and discoloration of beverages, as well as malfunction and staining of the product.

**Do not disassemble.**

**Keep out of reach of infants and small children.**

**Always clean thoroughly after use.**

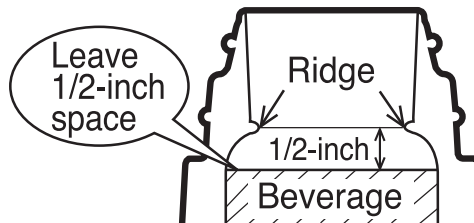
**Always close the Stopper tightly to prevent beverages from spilling and make sure to close the Spout after pouring.**

**Always use the Cup when drinking hot beverages. Never drink directly out of the bottle.**

**Always make sure the Stopper Gasket is on.**

**Leave 1/2-inch room on top when filling the bottle. Contents may overflow when placing the Stopper, or the Spout may become difficult to open. Beverages may also become caught in the Stopper and leak out.**

**Leave 1/2-inch room on top**



**Keep away from heat sources such as gas stoves, ovens and heaters.**

---

**Do not heat in a microwave.**

---

**Do not wash under water  
(SJ-S model only).**

**Do not shake the bottle when  
it contains hot beverages.**

Doing so may cause scalds or  
injuries.

---

**Consume beverages within the same day to prevent from  
spoiling.**

---

**Do not open the Spout with the bottle close to your face or  
tilted toward you.**

Pressure built up in the bottle may cause hot beverages to spew out.

---

**Please avoid filling the bottle with the following:**

- Dry ice and carbonated drinks: contents may spill out or the pressure may cause the Spout to become difficult to open or the Stopper or Cup to burst, causing injuries.
  - Liquids containing salt such as soup: although the liner is made of 18/8 stainless steel, salt may cause rust resulting in loss of thermal insulation.
  - Dairy products and fruit juice: if left inside for a long period of time, contents may spoil and produce gas that may cause the Stopper to burst, causing injuries.
  - Fruit pulp and tea leaves: may become caught in the Stopper and cause contents to spill.
- 

**Do not use the bottle if it loses its heat retention properties.**

The outside of the bottle may become very hot if hot beverages are poured inside.

---

**The Stopper may become difficult to remove when the  
bottle is filled with hot beverages. If this happens, press  
the Button to open the Spout to release pressure before  
removing the Stopper.**

Do not forcefully remove the Stopper as it may pop out and cause scalds or injuries.

---

**Tilt the bottle slowly when pouring hot beverages.**

Pouring too quickly may cause spills and/or scalds.

---

---

**When filling the bottle with sports drinks:**

- Rinse the inside of the bottle as soon as possible after consumption to prevent rust and/or pinholes.
  - Clean the inside using a soft sponge to protect from being scratched.
- 

**Warnings and Cautions:****Avoid dropping or hitting against hard surfaces.**

Damage to the plastic or stainless steel surface of the bottle may reduce its ability to retain heat.

---

**Do not force large ice cubes in.****Do not rub the design on the outside of the bottle strongly.****Do not allow hot kettles to touch the Mouth of the bottle.**

Doing so may damage the bottle.



---

**Always clean the Stopper and Stopper Gasket thoroughly after use.****Do not leave a tea bag inside and close the Stopper.**

Hot tea may discolor if stored for a long period of time. We recommend the use of tea bags and brewing right before consumption.

---

The rattling noise that may be heard when the product is shaken comes from the copper or aluminum foil in the vacuum insulation to increase heat (cold) retention and does not indicate a malfunction.

---

You may notice condensation on the inside of the Cup when keeping warm hot beverages.

---

## Warnings and Cautions: (cont.)

---

**(SJ-S model)**

**Do not wrap the carrying strap around your neck.**

---

**(SJ-S model)**

**Do not swing the bottle while holding the carrying strap.  
Do not pull on the carrying strap forcefully.**

---

**After pouring, stand the bottle upright and close the spout. Closing the spout while the bottle is tilted may cause beverages to become caught in the stopper and leak out later. Please follow these precautions:**

- After pouring, stand the bottle upright and wait 2-3 seconds before closing the spout.
  - Wipe off any excess liquids on the cup before closing.
  - Store the bottle upright when carrying inside bags to prevent beverages from spilling.
- 

**Attach the Stopper properly and turn the bottle upside down to make sure contents do not leak.**

---

**When closing the Stopper, stand the bottle at an upright position, then close the Stopper securely.**

---

● The illustrations used in this instruction manual may vary from the actual product you have purchased.

SJ. SV (E/F/J/K) / B

# How to Take Care of Your Bottle:

<b>Outside Main Body</b>	<p>Models that CANNOT be washed under water (SJ-S model): Soak a soft cloth in warm water and mild dishwashing liquid, wring well and wipe.</p> <p>Models that CAN be washed under water (SV-G model): Wash with warm water and mild dishwashing liquid using a soft sponge, rinse and dry. ● Use a small brush sold in stores if necessary.</p>
<b>Cup, Stopper</b>	<p>Wash with warm water and mild dishwashing liquid using a soft sponge, rinse and dry. Detach and wash gaskets after each use, and remember to attach them.</p>
<b>Inside Main Body</b>	<p>Wash with warm water and mild dishwashing liquid using a soft sponge with handle, rinse and dry. Keeping the inside clean will help prevent odors.</p>
<b>Carrying Strap (SJ-S model)</b>	<p>Soak a soft cloth in warm water and mild dishwashing liquid, wring well and wipe.</p>

- Do not soak.
- Do not clean with thinner, benzene, abrasive cleaners or other harsh cleaners.
- Do not use chlorine type bleach.
- Do not use a dishwasher or dish-dryer. Do not boil to sanitize.
- Wipe off moisture thoroughly to prevent water stains or rusting of the product.

## To Remove Rust Spots and Water Stains:

You may find rust spots or water stains caused by impurities in the water. To remove these stains, fill the bottle with hot water with 10% vinegar and let it stand for 30 minutes to an hour without attaching the Stopper, then wash the interior thoroughly.

## To Remove Coffee and Tea Stains:

To remove coffee and tea stains from the interior, the Cup or the Stopper, we recommend using Zojirushi's cleaning detergent SB-ZA01E. Always remove the Stopper when using SB-ZA01E. Contact Zojirushi Customer Service or your local dealer for further information.

## Replacement Parts:

We take care in only using materials that are safe and hygienic for food contact. However, if plastic parts become damaged or its surface becomes rough, please replace them for optimum performance. The Stopper and Gaskets may need to be replaced due to time and wear. Please check them about once a year. When replacing parts, please record the model number and part name beforehand. Then contact either the store where you purchased the product or Zojirushi Customer Service. Replacement parts may be available for an additional charge.

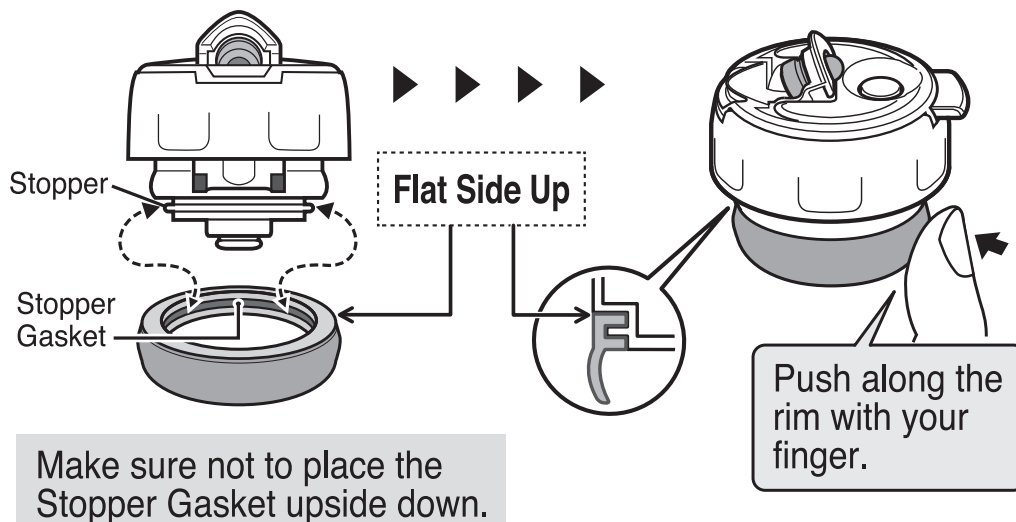
.....

**Some of the information below may not apply to your vacuum bottle. Please review them if applicable.**

## How to Attach the Stopper Gasket:

- Be sure to attach the Stopper Gasket correctly to prevent beverages from leaking or the product from malfunctioning.

Fit the Stopper Gasket to the Stopper as illustrated.



**For questions or comments, please contact:  
Zojirushi America Corporation  
Tel: (800) 733-6270 [www.zojirushi.com](http://www.zojirushi.com)**