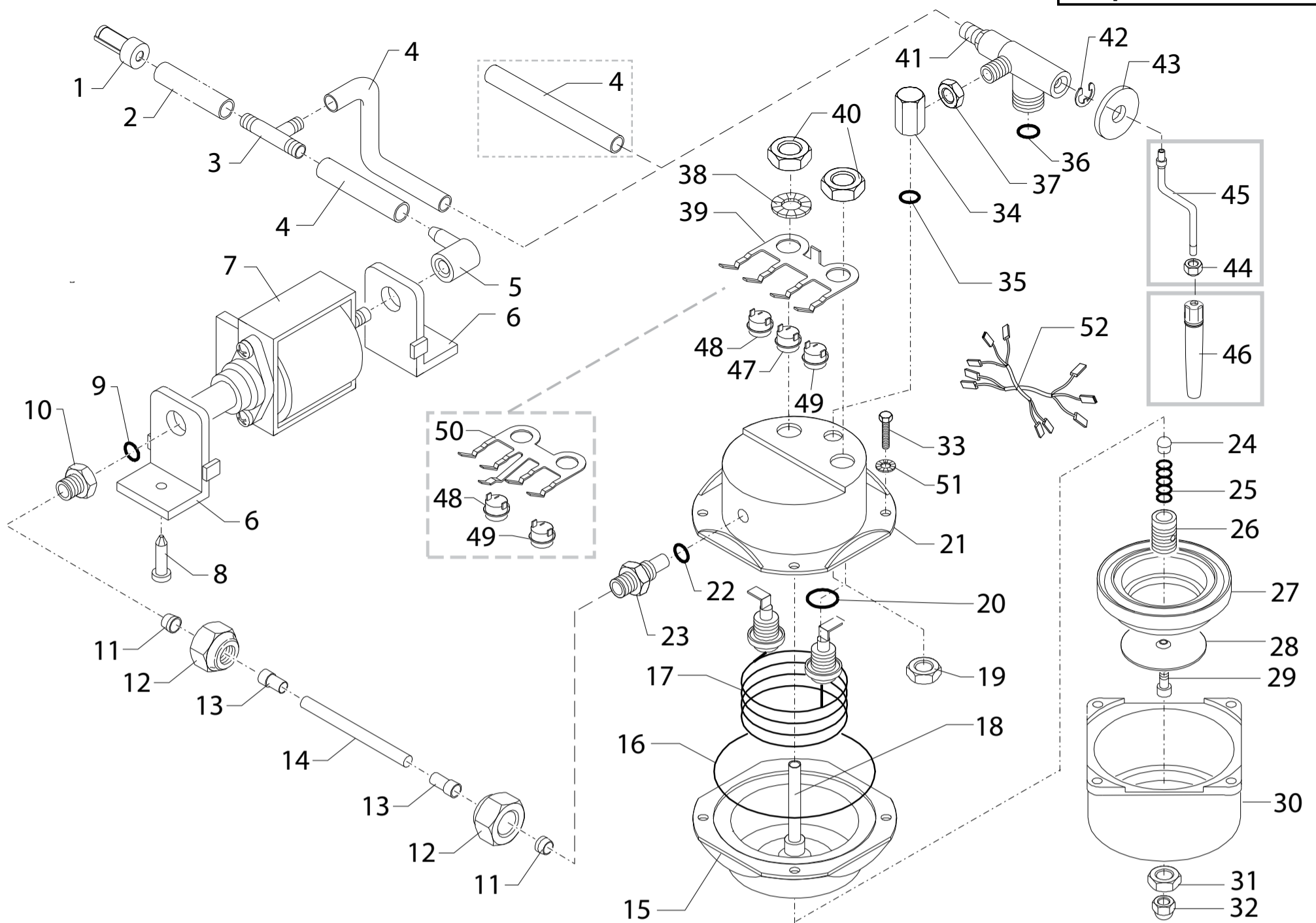


**Saeco**® SIN 015XN



Cod.10001842-43-93-94

POS	CODE	DESCRIPTION	NOTE	POS	CODE	DESCRIPTION	NOTE
01	178690500	EXT. BOX POLYST CA TYPE 2002					
02	13000534	DISPAY BOX SAECO AROMA RST					
03	15001167	INSTR.MANUAL SAECO AROMA RST					
04	142802050	BLACK LID FOR WATER TANK TYPE 2002					
05	142690381	FUME' WATER CONTAINER TYPE 2002					
06	11007514	BLACK POWER CABLE SCHUKO L=1600MM					
	11007515	BLACK POW.CABL.USA SJT3X18AWG L=1600MM					
07	12000805	BLACK GROMMET 10205					
08	188600550	CABLE CLAMP BLACK					
09	129914002	SCREW TCB TORX 10 3,5X16 PLAST.ZN-B					
10	128210200	ELASTIC WASHER FOR SHAFT D=2MM					
11	147620600	SQUARE SELF ADH.FOOT 5019 BLACK					
12	5332004000	ON-OFF LIGHT BIPOL.SWITCH 122C1M2X001	230V				
	12000868	ON-OFF BIPOL.SWITCH UL 122H1N2X001	120V				
13	129511903	SCREW TCB 2,9X6,4 DIN 7981 BZ NICK					
14	122803921	CUPWARMING LID TYPE 2002 CE SS					
15	128310321	WASHER UNI 8842 A3 SS					
16	145846662	CUP WARM. LID SEAL TYPE 2002 CE					
17	11007077	SS.SATINY CASING AROMA RST S.SCR. AROMA					
	11006927	BLACK CASING AROMA RST S/SCREEN AROMA					
18	140321461	OR 2018 IN EPDM					
19	11007315	SILVER KNOB+NIKELED/BRASS SHAFT L=68MM					
20	145892250	INSERT FOR STEAM TUBE BLACK DREAM					
21	125740521	GRATE + SLOTS FOR CA TYPE 2002					
22	149640650	DRIP TRAY BLACK					
23	146680159	GREY/7016 COFFEE MEASURE					
24	145849762	PRES.FILTER HOLDER SS.BOILER H=11,3					
25	124653221	POD FILTER F.D=31 MM H=20,2MM P=2 MM					
26	226551850	BLACK PRESS.FILTERH.BRASS					
		<b>SEE COD. EXPL. E90005</b>					
27	12000836	COFF/STEAM LIGHT BIP.SWITCH 11A5CLG000	230V				
	12000866	COF/STEAM LIGHT BIP.SWITCH UL 11A5HLG000	120V				
28	11006942	GREY INNER SUPPORT BUTTON AROMA RST					
29	11007613	SILVER BUTTON 1 CUP VIA VENEZIA RST					
30	11007614	SILVER BUTTON STEAM VIA VENEZIA RST					
31	11007078	SILVER BUTTON EXTERN. FRAME AROMA RST					

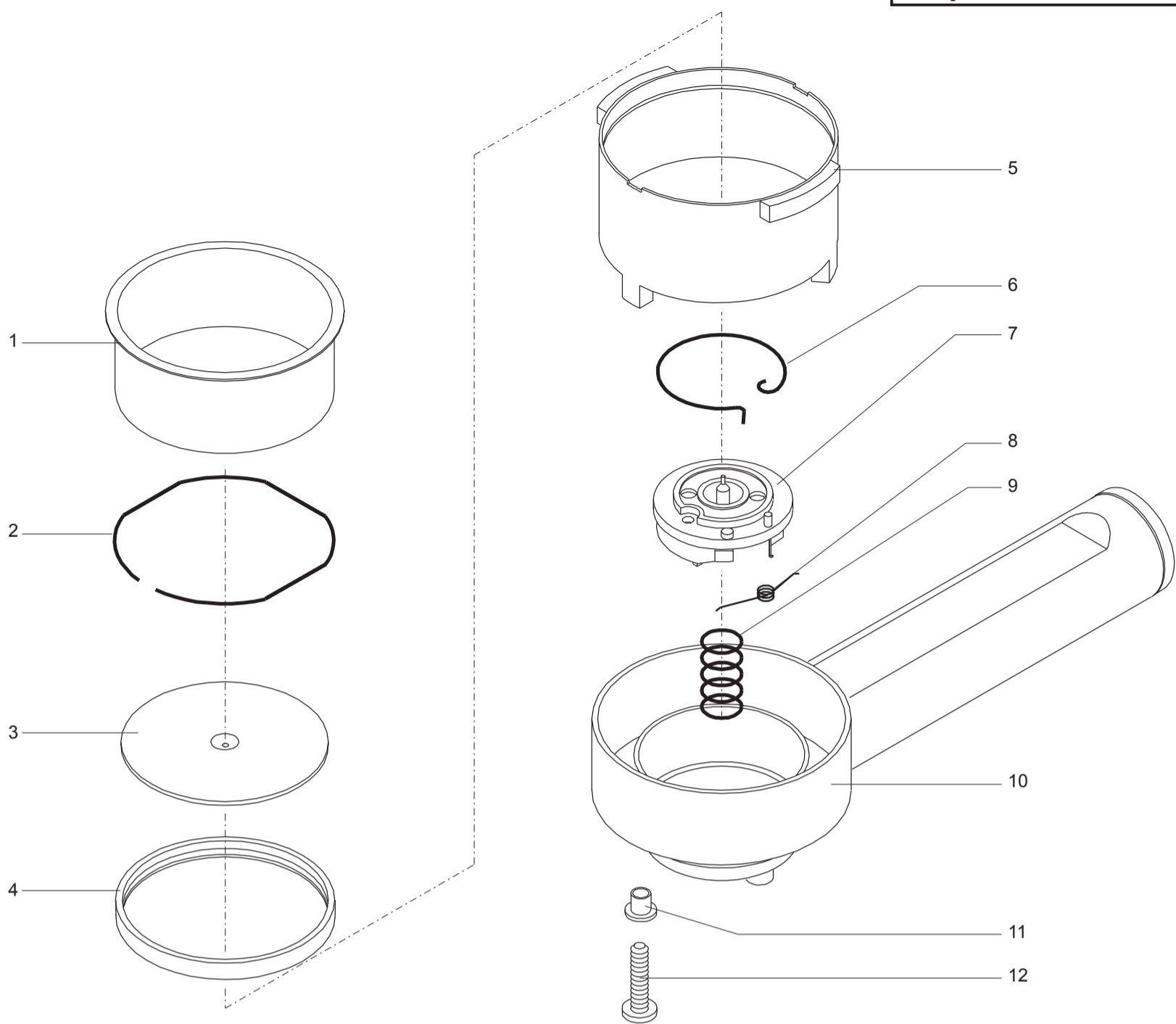


**Saeco**® SIN 015XN



**Cod.10001842-43-93-94**

POS	CODE	DESCRIPTION	NOTE	POS	CODE	DESCRIPTION	NOTE
01	144650100	SUCTION FILTER		39	126836321	3 TH. FIX. SPRING EARTH SYMBOL. ST	230V
02	149360200	SILICONE TUBE 5X8 70SR IN ROLL		40	123452000	NUT M 12 X1,25 H= 4,5	
03	147920300	TEE CONNECTOR D=8 ART.80.26.047 KA		41	228455200	FA. M10 DREAM SS BOIL.W/O VAPIS W/	
04	JS01.022	SILICONE TUBE 5X10 60 SHORE IN ROLL		42	128170302	WASHER 9X27X2 GALV	
05	147920150	90°CONNECTOR PUMP INLET		43	120350504	SHAFT 8 UNI 7434	
06	149181550	PUMP SUPPORT TYPE ULKA		44	123450408	CHROMED LOCK.NUT STEAM TUBE + BUSH	
07	12000140	ULKA PUMP EP5/S GW	230V-50HZ	45	11002083	ST.STEEL STEAM TUBE 105° PANNARELLO AS.	230V
	12000142	ULKA PUMP EP5/S	120V-60HZ		11002129	ST.STEEL STEAM TUBE 100° AROMA ASSY.	120V
08	148050150	BLACK PLAS. RIVET D1=9,5 X HOLE D=		46	227431350	PANNARELLO ASS.G100 BLACK	
09	140321961	OR 2031 IN TERMOIL		47	189428200	THERMOSTAT 175° 1NT-08L-3794	230V
10	11001194	NIKELED STRAIGHT CONNECT.FOR ULKA PUMP		48	189425100	THERMOSTAT 127° 1NT-01L-0499	
11	11008877	TEA/BRASS INNER TUBE BUSH ( DE4XDI3X10)		49	189422000	THERMOSTAT 95° 1NT-01L-0036	
12	123460120	BRASS NUT 1/8" GAS FOR TEFLON TUBE D=6		50	126833921	RESSORT THERMOSTATIQUE	120V
13	121800420	OGIVE BUSH 6 ( DE=8,4 DI =6,2 L=7		51	128310521	WASHER UNI 8842 A5 SS	
14	149400100	TEFLON TUBE 4X6 IN ROLL		52	11008165	GEN.WIRING AROMA RST UL ASSY.	120/UL USA
15	222891400	SS.LOWER BOILER CASING + HUB BRASS/NIK					
16	140322962	OR 176 IN SILICONE					
17	188150158	HEAT ELEMENT + NICKEL TERMINAL	230V-900W				
	188150151	HEAT ELEMENT + NICKEL TERMINAL	120V-900W				
18	129310920	NIKELED BRASS INTERNAL TUBE SS BOILER					
19	123390109	NUT 1/8 GAS H=6 CH=14 BRASS/NIKEL					
20	NM01.021	OR 2050 SILICONE					
21	122902121	UPPER BOILER CASING + BRACKETS W/O VAPIS					
22	140320762	OR 108 IN SILICONE					
23	127960903	NIKELED/BRASS STRAIGH.FITT.FOR SS BOILER					
24	149450588	SILICONE VALVE 65SH BOILER SEALING					
25	126761518	SPRING FOR BOILER VALVE					
26	11001196	VIS DE VALVE CHAUDIERE					
27	145841500	FILTERHOLD SEAL					
28	123741421	PERCOLATOR DE =48,8 SS BOILER JACOBS					
29	129854021	TSP SCREW M4X8 UNI 7688 SS					
30	220290300	POLISHED FILTERHOLDER LOCKING RING AS.	230V				
	11010147	FILTERHOLD.LOCKING RING S/SCRENN ASSY.	120V				
31	123160502	NUT M5 HIGH UNI 5587-68 GALVANIZED					
32	123330120	CAP NUT M5 UNI 5721-69 CL5S					
33	129680802	SCREW WITH WASHER TE M5X20 GALVANIZ					
34	11001193	NIKELED CONNECFauc. /BOIL.SS.CAD-SAMBA					
35	140323062	OR 2043 IN SILICONE					
36	140321861	OR 2025 IN EPDM					
37	123390420	NUT 1/8 GAS H=4.5 CH=13 BRASS					
38	128311204	WASHER UNI 8842 A12 BURN.					



**Saeco®** PORTAFILTRO PRESSURIZZATO MECCANICO 

Cod. 226551250-263-650  
Cod. 226551663-850-863

POS	CODICE	DESCRIZIONE	NOTE	POS	CODE	DESCRIPTION	NOTE
01	124650221	FILTRO 2TAZ.54,5X25 S/TAC.FORI D=48		01	124650221	2CUP FILT.54,5X25 W/O.NOT.HOLE D=48	
02	126835918	MOLLA FERMAFILTRO SOTTOCOPP.PIANETA		02	126835918	FILTER LOCK. SPRING FILTERH. PIANE	
	126836818	MOLLA FERMAFILTR.SOTTOCOP.STARBUCKS			126836818	FILTERH. SPRING STARBUCKS	
		<b>X C.A. PRODOTTE DAL 01/05/1999</b>				<b>FOR C.A. PRODUCED FROM 01/05/1999</b>	
03	142862959	CONVOGLIAT.FORO 1,6 PORTAFILTRO PRES/MEC		03	142862959	CONVEYOR HOLE 1,6 PRESS.FILTERHOLD.	
04	145847762	GUARNIZ.X CONVOGL.PORTAFIL.PRES/MEC		04	145847762	PRESS. FILTERHOLD CONVEYOR SEAL	
05	228771128	SOTCOP.PRES/MECC.ALET.STRET.AL.BRIL		05	228771128	PR.FILTERH. NARROW TONG. POL. ALU	
	17000097	SOTCOP.PRES/MECC.V2 AL.BRIL.			17000097	ALUM/POL.V2 PRES/MECC.FILTERHOLDER	
	11023167	SOTTOCOP.PRES/MEC.STARB.OT/CROM.NSF			11023167	NSF/CHROM.PRESS.FILTERHOLD.STARB.	
06	126835818	MOLLA X MANICO PORTAFIL.PRESSUR/MEC		06	126835818	SPRING FILTERHOLD. HAND. PRESS.	
07	229181800	AS.SUPPORTO SPILLO PORTAF.PRESS/MEC		07	229181800	PRESS. FILTERH. PIN SUPPORT	
08	126768418	MOLLA X CAMMA PORTAFILT.PRESSUR/MEC		08	126768418	CAM SPRING FILT.HOLD PRESS.	
09	126769918	MOLLA X SPIL.PORTAFIL.PRES/MEC.L=13		09	126769918	SPRING FILTH .NE.VAL.MEC.TAKEOFFL=	
10	146552650	MANICO NER.OP/LUC.PRES/MEC.SEN/SOTC		10	146552650	HAND.BLA. OP/GLO PRESS. W/O FILTER	
	146552663	MANICO GRI.OP/LUC.PRES/MEC.SEN/SOTC			146552663	HAND.GREY OP/GLO.PRESS. W/O FILTER	
11	11022223	DISTANZ.PORTAFILTR.PRES/MEC.OT/TEA		11	11022223	TEA/BRASS SPACER FOR PRESS.FILTERHOLDER	
12	129730721	VITE TCB PZ/SW 4X12 UNI 8112 INOX		12	129730721	TCB SCREW PZ/SW 4X12 UNI 8112 SS	
	226551250	PORTAFILT.PRESS.MECC.ALET.STRET.NER			226551250	PRESS. FILTERH.NARROW TONGUE BLA.	
	226551263	PORTAFILT.PRESS.MECC.ALET.STRET.GRI			226551263	PRESS. FILTERH.NARROW TONGUE GREY	
	226551650	PORTAFILT.PRESS.MECC.AL.NERO OP/LUC			226551650	PRESS. FILTERH. ALU BLACK OP/POLIS	
	226551663	PORTAFILT.PRESS.MECC.AL.GRIG.OP/LUC			226551663	PRESS. FILTERH. ALU.GREY OP/POLISH	
	226551850	PORTAFILT.PRESS.MECC.OT.NERO OP/LUC			226551850	PRESS. FILTERH. BRASS BLACK OP/POL	
	226551863	PORTAFILT.PRESS.MECC.OT.GRIG.OP/LUC			226551863	PRESS. FILTERH. BRASS GREY OP/POLI	