

Saeco SUP021YNR
INTERNATIONAL GROUP



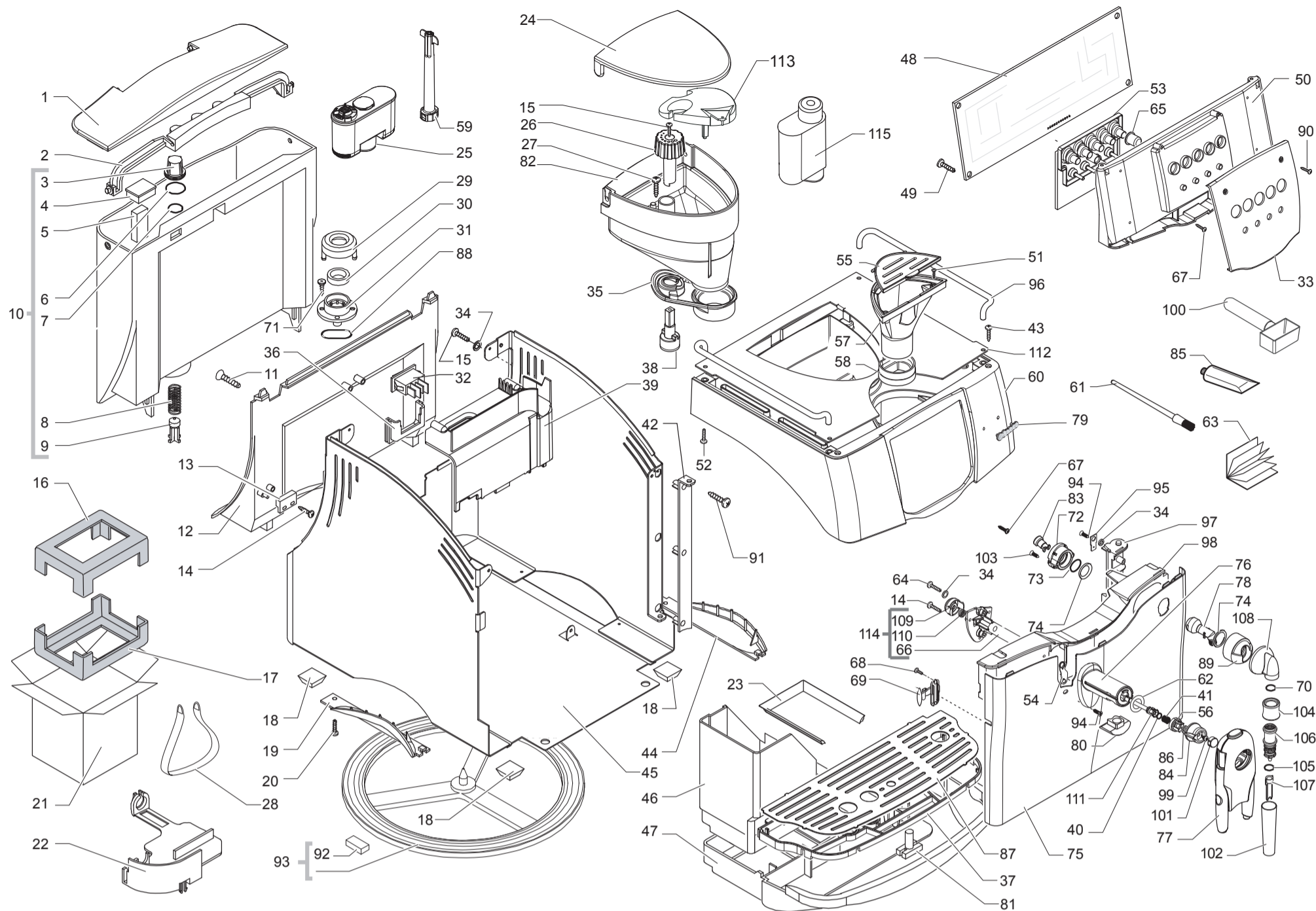
Cod. 740827-28
Cod. 1000050

POS	CODE	DESCRIPTION	NOTE	POS	CODE	DESCRIPTION	NOTE
01	142816500	WATER CONTAINER LID SMART NATUR./GREY	(USA)	40	140326661	OR METRIC 0040-20 IN EPDM	
02	146580950	BLACK KNOB WATER CONTAINER LID SMAR		41	126772518	SPRING FOR CREAM ADJUSTMENT SHAFT	
03	144650800	WATER TANK FILTER		42	226481425	DOOR HINGE KIT SMART SILVER A2	
04	149214359	BLACK CAP FOR FLOATING SPACE LAV.			222630525	DOOR HINGE SMART SILVER A2	
05	9161.112.150	LEVEL FLOAT GREY			226481450	DOOR HINGE KIT SMART BLACK	
06	140328461	EPDM OR METRIC 0019-10			222630550	DOOR HINGE SMART BLACK	
07	140324362	OR METRIC 0060-30 IN SILICONE		43	U143.018	screw TORX TCB 3,5X16 F TIP BL	
08	126764718	SPRING FOR WATER CONTAINER VALVE		44	225920125	HANGRIP DX SMART SILVER A2	
09	147660562	GREY PISTON FOR WATER VALVE			225920108	HANGRIP DX SMART CHROMED	
10	222693500	WATER CONTAINER AS.SMART NATUR/GREY		45	11001021	MATT SILVER CASING SMART	
11	12000381	SCREW TSP PZ2/TT M3X8 UNI 8109 ZINC			222360450	CASING WITH KNOB SMART BLACK	
12	149194650	SUP. WATER CONTAINER W/O LAMP HOUSING		46	11005555	BLACK DUMP BOX SMART SILK/SCREEN	
	149194618	SUP. WATER CONTAINER W/O LAMP HOUSING		47	229630825	SILVER A2 DRIP TRAY SMART	
13	283551900	2 POLE LEVEL SENSOR AS.SMART	(USA) 230V		229630850	BLACK DRIP TRAY SMART	
	283551955	2 POLE LEVEL SENSOR AS.SMART	120V	48	11002810	ELECTRONIC BOARD SMART SUP021YNR/V1	230V
14	129910921	HI-LO TC SCREW 3X10 STEEL			11005405	ELECTRONIC BOARD SMART SUP021YNR/V1	120V
15	129661204	SCREW PANELVIT TCB 3X16 DIN7505 BRU		49	129661302	PANELVIT TCB SCREW 3X8 DIN 7505 ZNP	
16	175898600	UPPER TECHMATE INSERT FOR BOX SMART1		50	149202900	SUPPORT ELECTR.CARD SMART UNPAINTED	
17	175897300	LOWER TECHMATE INSERT FOR BOX SMART			149202950	SUPPORT ELECTRONIC CARD SMART BLACK	
18	147623150	SQUARE ADHESIVE FOOT 5023 BLACK			11000477	SUPPORT ELECTR.CARD SMART/UL SILVER	(USA)
19	225920225	HANGRIP SX SMART SILVER A2		51	129533202	SCREW TSPTORX T10 3,5X9,5 D7982 NI	
	225920208	HANGRIP SX SMART CHROMED		52	U046.003	screw TCBC M4,0X12 INDENT. WASH.8	
20	129511803	SCREW TCB 2,9X6,4 DIN 7981 NICK		53	281565200	TOUCH PANEL ELECTRON.BOARD AS.SMART	
21	178517600	DISPLAY BOX SAECO INCANTO S-CLASS		54	127535820	PLATE FOR DOOR METALLIC SMART	
	13000050	DISPLAY BOX SAECO INCANTO S-CLASS USA	(USA)	55	222802400	GROUND COF.CONT.LID CLASSIC NATGREY	
22	148601650	GROMMET FOR POWER CABLE SMART		56	149198700	SUPPORT CREAM ADJUSTMENT SHAFT	
23	229170450	SEALING SUPPORT AS.WATER DRIP TRAY		57	149261500	HOPPER GROUND COFFEE DOSER SMART	
24	142815800	BEAN COFF.CONT.LID SMART NATUR/GREY		58	145854360	GROUND COFFEE CONT.SEAL UPPER SMART1	
25	223070200	CONFECTION SAECO AQUA PRIMA		59	145902250	INSERT FOR DECALCIFYING FILTER	
26	227721800	GRIND.ADJUST.NATGREY KNOB SMART S/S		60	222813725	COVER SMART SILVER S/SCREEN CLASSIC	
27	U142.005	PANELVIT TSP 4,5X16 DIN 7505 A GAL			222813750	COVER SMART BLACK S/SCREEN CLASSIC	
28	179990300	BAND FOR LIFTING L=1550 H=300 MM			11000500	COVER SMART/UL SILVER S/SCREEN CLAS.	(USA)
29	0701.031.150	SEAL COVER GREY			222847825	COVER SMART SILVER/230V S/SCREEN CLAS.	COMPLETE
30	145842900	WATER CONTAIN.VALVE SEAL GACO DIM14			222847850	COVER SMART BLACK/230V S/SCREEN CLAS.	COMPLETE
31	0701.014.150	SEAL CONTAINER GREY			11000300	COVER SMART/UL SILVER/120V S/SCR.CLAS.	(USA) - COMPLETE
32	NE03.038	BIPOLAR SWITCH FUSIT C1250AR		61	127390100	BRUSH FOR CLEANING	
33	224890725	FRONT.PANEL SMART CLASSIC SILVER A2		62	148380800	MYLAR WASHER DE=19 DI=12 SP=0,2	
	224890750	FRONT.PANEL SMART CLASSIC BLACK		63	165897400	INSTRUCT.MANUAL SAECO TYPE SUP021YNR	
34	128310321	WASHER UNI 8842 A3 SS			165897427	INSTRUC.MANUAL SAECO TYPE SUP021YNR	
35	145854760	BEAN COFFEE CONTAINER SEAL SMART			15000069	INSTRUCT.MANUAL SAECO TYPE SUP021YNR	
36	149202550	SWITCH GENERAL SUPPORT BLACK SMART		64	129571121	SCREW TCB PH/SW 3X14 UNI 8112 INOX	
37	229183725	SILVER A2 SUPPORT GRATE METAL SMART					
	229183750	BLACK SUPPORT GRATE METAL SMART					
38	145897300	INSERT GRINDING ADJUSTM.KNOB SMART					
39	147755800	INT.CASING PROTECTION POWER CABLE					

Saeco
INTERNATIONAL GROUP

INCANTO S-CLASS

TABLE 1a/3



Saeco SUP021YNR
INTERNATIONAL GROUP



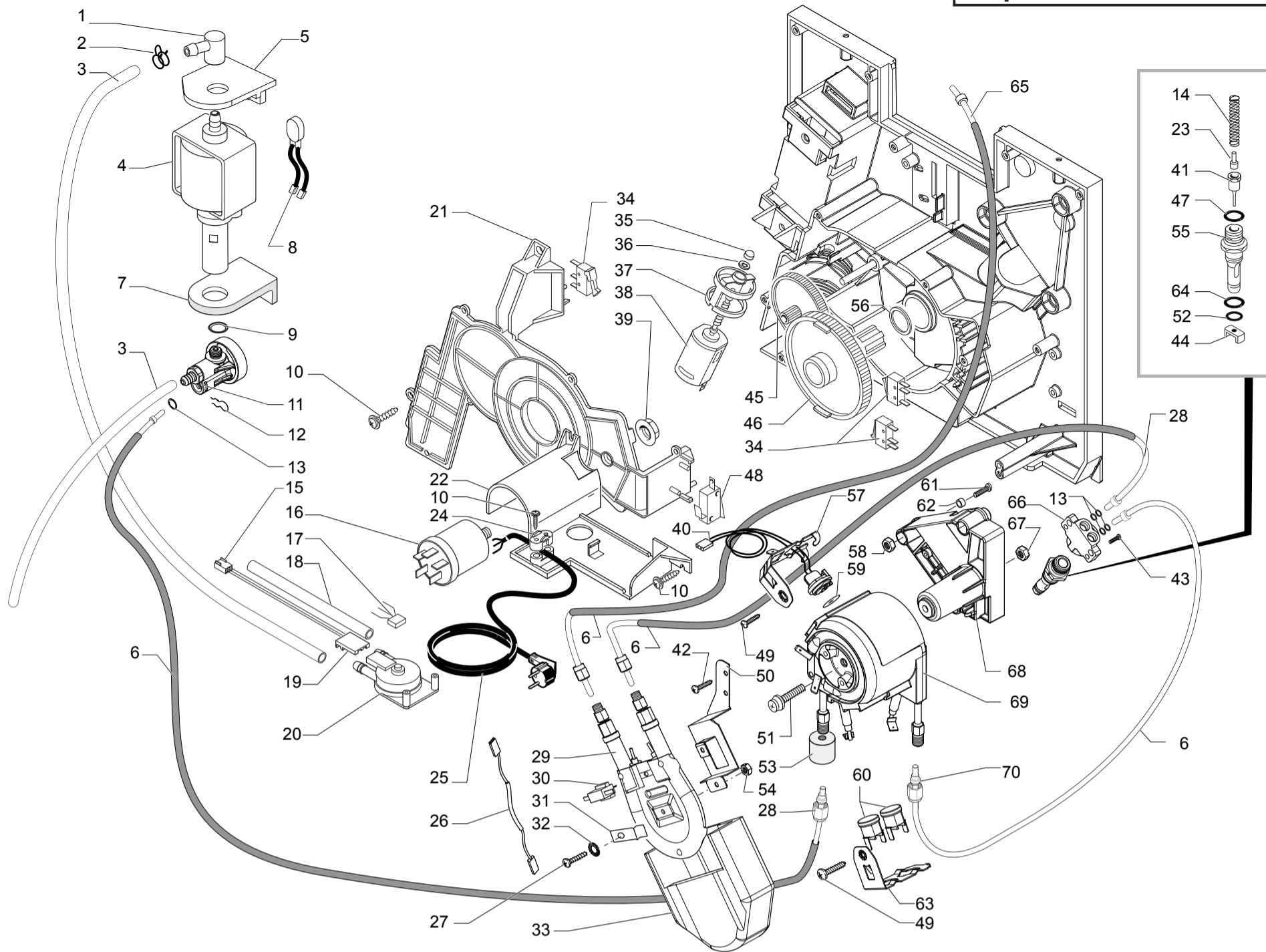
Cod. 740827-28
Cod. 1000050

POS	CODE	DESCRIPTION	NOTE	POS	CODE	DESCRIPTION	NOTE
65	229141108	BUTTON SMART CLASSIC ASSEMBLADED		100	146680850	BLACK COFFEE MEASURE SMART	
66	11002322	COFF. DISPENSER TUBE FOR ADJUST.SHAFT FROM S/N. 9006SA40349625		101	229200250	BLACK CAP FOR KNOB CREAM ADJUSTMENT	
67	129660902	PANELVIT TCB SCREW 3,5X12 D.7505 Z		102	122842121	EXTERNAL COVER ST.STEEL PANNAR.G100	
68	129670302	PANE.TCB SCREW 2,9X9,5 TES.D=7,5 ZN		103	129571521	SCREW TCB PH/SW 3X18 UNI 8112 INOX	
69	146313740	DISENG. LEVER GREY/SILVER DOOR SMART		104	147757050	STEAM TUBE PROTECTION	
70	140324461	OR METRIC 0060-20 IN TERMOIL		105	140320762	OR 108 IN SILICONE	
71	129535721	SCREW TSP3,5X9,5 DIN 7982 SS		106	222270249	UPPER TUBE ASS.FOR PANNARELLO	
72	149200450	SUPPORT FOR ARTICULATED JOINT		107	4301018000	LOWER INTERNAL PIPE	
73	140329162	OR 117 IN SILICONE 70 SH		108	228660304	CONNECTOR FOR STEAM TUBE	
74	148620900	SEMISPHERE SEAL FOR ARTICULAT.JOINT		109	149213450	CAP FOR COFFEE DISPENSER TUBE FROM S/N. 9006SA40349625	
75	11001020	MATT/SILVER DOOR METALLIC SMART		110	11002323	CONIC SEAL FOR COFFEE DISPENSER TUBE FROM S/N. 9006SA40349625	
	228982950	DOOR METALL SMART BLACK		111	140640200	CREAM ADJUSTMENT SHAFT	
76	229184704	COFFEE DISPENSER SUPPORT WITH HOLE		112	282800840	CUP WARMING LID SMART SSTEEL-SB/230V	
77	223701025	SILVER/A2 COFFEE DISPENSER AS.SMART		113	147757800	BEAN CONT.PROTECT.SMART NATUR/GREY	
	223701050	BLACK COFFEE DISPENSER AS.SMART		114	20000960	SPARES KIT FOR COF. DISPENSER TUBE NEW UP TO S/N 9006SA40349624	
78	147922249	CONNECTOR FOR ARTICULATED JOINT		115	21001406	ACC SAE MAVEA UNI.WAT.FILTERX1 USA	ONLY 120V
79	127573900	PLATE WITH LOGO SAECO SMART DIAMOND					
80	145854962	SEAL FOR COFFEE DISPENSER V2 SMART					
81	145501211	RED FLOAT FOR DRIP TRAY SMART					
82	142714100	NATURAL/GREY BEAN CONTAINER SMART					
83	145896949	RETAINING INSERT TEFLON TUBE					
84	227701104	CREAM ADJUSTM.KNOB GLOSS CHR.PLATED					
85	11005044	SAECO KLUBER TRIBOSTAR SIL 2 TUBE 5GR.					
86	U207.003	PLAIN WASHER 3,2X7 UNI 6592 GAL					
87	125743421	STAINLESS STEEL GRATE SMART					
88	140320461	EPDM OR METRIC 0190-10					
89	228660204	CONNECTOR FOR STEAM TUBE					
90	129912202	SCREW TCB TORX T10 3X12 UNI 9786 ZN					
91	129740202	SCREW TSP PH/TT 4X10 UNI 8113 ZNP	WITH DOOR HINGE V2				
	129511921	SCREW TCB 2,9X6,4 DIN 7981 BZ SS FROM S/N 9005SA40022836	WITH DOO. HIN.V3+KIT				
92	9991.096	ADHESIVE FOOT 8X15X3,2					
93	220380259	ROTATING RING SMART WITH 3 FEET	WITH PART. N°92				
94	129562603	SCREW TSC PZ-B 2,9X9,5 UNI 6956 NI					
95	186401000	FLAT TABS 6,3 D=4,5 0010364200					
96	227751808	CUPS PROTECTION SMART/DIG.CHROMED					
97	229183525	SUPP.HINGE DOOR METAL.SMART SILV.A2					
	229183550	SUPPOR.HINGE DOOR METAL.SMART BLACK					
98	229183125	SUPPORT DOOR METALL.SMART SILVER A2					
	229183150	SUPPORT DOOR METALLIC SMART BLACK					
99	129512503	SCREW TCB 2,9X9,5 DIN 7981 NICK					

Saeco
INTERNATIONAL GROUP

INCANTO S-CLASS

TABLE 1b/3

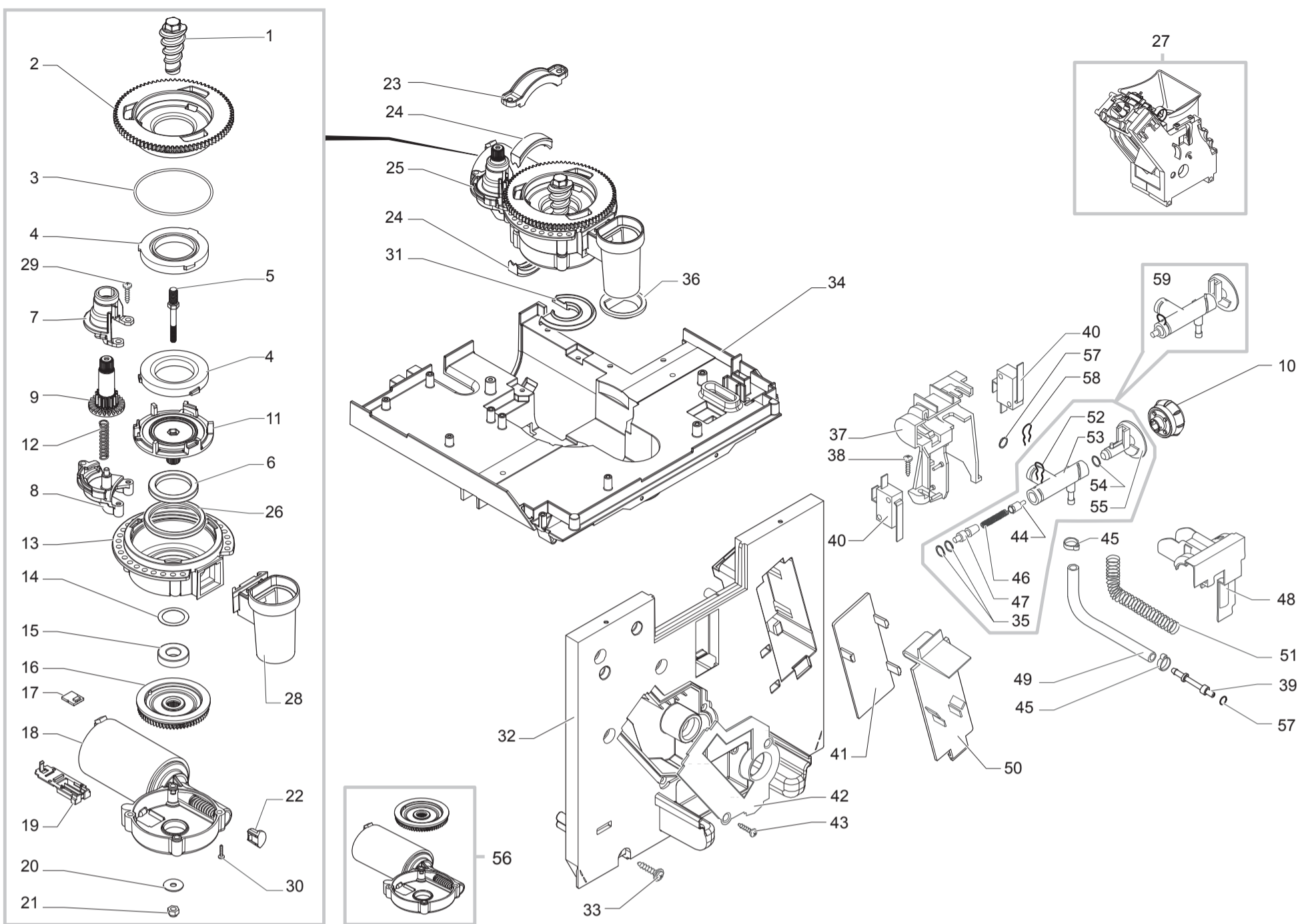


Saeco SUP021YNR
INTERNATIONAL GROUP



Cod. 740827-28
Cod. 1000050

POS	CODE	DESCRIPTION	NOTE	POS	CODE	DESCRIPTION	NOTE	
01	147920150	90° CONNECTOR PUMP INLET		40	288582300	SENSOR ELECT.BOARD WITH CONNECTOR		
02	184320200	SPRING HOSE CLAMP D=9,5MM		41	11009019	TEA/BRASS PISTON L=20,9 ASSY.		
03	149360200	SILICONE TUBE 5X8 70SR	IN ROLL	42	129573402	SCREW TAPT M4X10 DIN 7985 GALV		
04	12000140	ULKA PUMP EP5/S GW	230V-50HZ	43	129910103	HI -LO TC SCREW 3,5X15 RIF.910189		
	12000131	ULKA PUMP EP5/S	120V-60HZ	44	11005099	NATURAL CURSOR V2 FOR BOILER P119		
05	149205710	PUMP SUPPORT HOLE 13,2 RED		45	9121.042	GEAR Z.12/90		
06	149361200	BLACK SILICON TUBE 7,5X9,3	IN ROLL	46	9121.069.150	GEAR Z.108 FOR MOUNTING PLATE M4000		
07	149185850	EATON PUMP SUPPORT MAGIC 4002012		47	140320459	OR METRICO 0080-20 SILICON.PTFE/FDA		
08	0311.807	YELLOW HARNESS KLIXON JP 13	230V	48	186723800	MICROSWITCH SAIA X3M502K2KAM92AS		
	289201000	THERMAL. PROTECT 120°C CABLE.125/3	120V	49	129573202	SCREW TCB PH/TT 4X8 UNI 8112 ZNP		
09	NM02.028	OR 2015 EPDM FDA		50	129025002	BRACKET BOILER SMART SUPPORT		
10	129914002	SCREW TCB TORX 10 3,5X16 PLAST.ZN-B		51	129932202	ROUND HEAD SCREW 10.9 M5X20 GALV		
11	229452100	COMPENSATION AND SAFETY VALVE ASSY		52	NM01.057	OR ORM 0050-20 SILICONE		
12	9011.144	FORK FOR TUBE D.4		53	147756562	PROTECTION FOR FOLK SPRING TUBE D=4		
13	140328059	OR 2015 IN SILICONE PTFE/FDA		54	U302.003	NUT HEXAGONAL M4 UNI 5588		
14	9011.132	SPRING FOR PIN		55	9011.100	PEG FOR VALVE IN PLASTIC		
15	283551300	3POLE CONNECT.AS.TURBINE JP18 SMART		56	9161.132	MYLAR WASHER FOR RATIOMOTOR		
16	184651100	ANTIDISTURB FILTER 0,47X2+1000Y2+0,5L		57	126838217	SENSOR FIXING SPRING		
	184651500	ANTIDISTURB FILTER 16A FNC 1610474472A		58	U310.003	NUT SELF LOCK.M5 UNI 7473		
17		PARTICULAR NOT AVAILABLE	SEE PART. N°20			UP TO S/N 9005SA40230571		
18	JS01.022	SILICONE TUBE 5X10 60 SHORE	IN ROLL	59	145951600	ELECTRIC INSULATING DISK D=16		
19	9161.018	FORK FOR WATERWHEEL		60	189428200	THERMOSTAT 175° 1NT-08L-3794		
20	286473300	-M-VDE TURBINE WITH SENSOR KIT	WITH PART. N°17		189428600	THERMOSTAT 175° 1NT-08L-5125		
21	9161.331.920	RATIOMOTOR COVER TRANSPARENT		61	U044.020	SCREW TSP M5,0X30 UNI 7688 GALV.		
22	149194800	TURBINE SUPPORT SMART				UP TO S/N 9005SA40230571		
	11009371	NATURAL TURBINE SUPPORT SMART UL	120V			FROM S/N 9005SA40230572		
23	11009013	TEA/BRASS PIN FOR PISTON L=10		62	9161.206	INSULATING SPACER FOR BOILER		
24	148600600	CABLE CLAMP V0 MAGIC ESP COMBI UL		63	126838117	2 THERMOSTATS FIXING SPRING		
25	NE01.120	BLACK POWER CABLE SCHUKO L=1500		64	NM01.035	OR ORM 0090-20 SILICONE		
	NE01.118	BLACK POWER CABLE CH L=1500MM		65	227875400	CONNECTOR AS.TEFLON 2X4 L=330 MM		
	NE01.114	POWER CABLE AUSTRALIA		66	147922700	BOILER SUPPORT CONNECTOR		
26	183440800	CABLE 1 WIRE SILIC.BLACK THERM/FUSE 229°		67	123453902	SELF-LOCKI.NUT M5X0,8 DIN 980 CLA.8		
	11000312	CABLE 1WIRE SILIC.BLACK AWG16+TH/FUSE		68	20000204	SPARES KIT SUPPORT BOILER SMART		
27	129823802	TCB SCREW M4X8 UNI 7687 ZNP				UP TO S/N 9005SA40230571		
28	227874900	CONNECTOR AS.TEFLON 2X4 L=250 MM				FROM S/N 9005SA40230572		
29	288140458	HEATING-ELEMENT BLECKMAN ASSY. 1000W	230V	69	282058858	ALUM.BOILER AS.WITH RESISTANCE	230V	
	288140455	HEATING-ELEMENT BLECKMAN ASSY. 1000W	120V		282058855	ALUM.BOILER AS.WITH RESISTANCE	120V	
30	189428300	THERMOSTAT 175° INTERCONTR.161471002		70	227876800	CONNECTOR AS.TEFLON 2X4 L=235 MM		
31	127535319	THERMAL FUSE FIXING PLATE				282135555	ALUM.BOILER 120V AS.WITH RESISTANCE	COMPLETE
32	128310404	WASHER UNI 8842 A4 BURNISHED				282135558	ALUM.BOILER 230V AS.WITH RESISTANCE	COMPLETE
33	147755900	HEAT.ELEMENT PROTECTION BLECK. SMART					WITH PART. N°13-14-23-28-40-41-43-44-47-49-51	
34	NE05.038	MICROSWITCH					52-53-55-57-58-59-60-63-64-66-67-68-69-70	
35	9121.046	SINTERED BUSH FOR MOTOR						
36	148380200	WASHER BAKELIZZATE D=5,5						
37	9121.044	ANTIVIBRATION FOR MOTOR						
38	11003037	MOTOR FOR RATIOMOTOR ASSY.	230V					
39	123453602	FLANGE NUT M8 TOOTHED BASE GALV.						

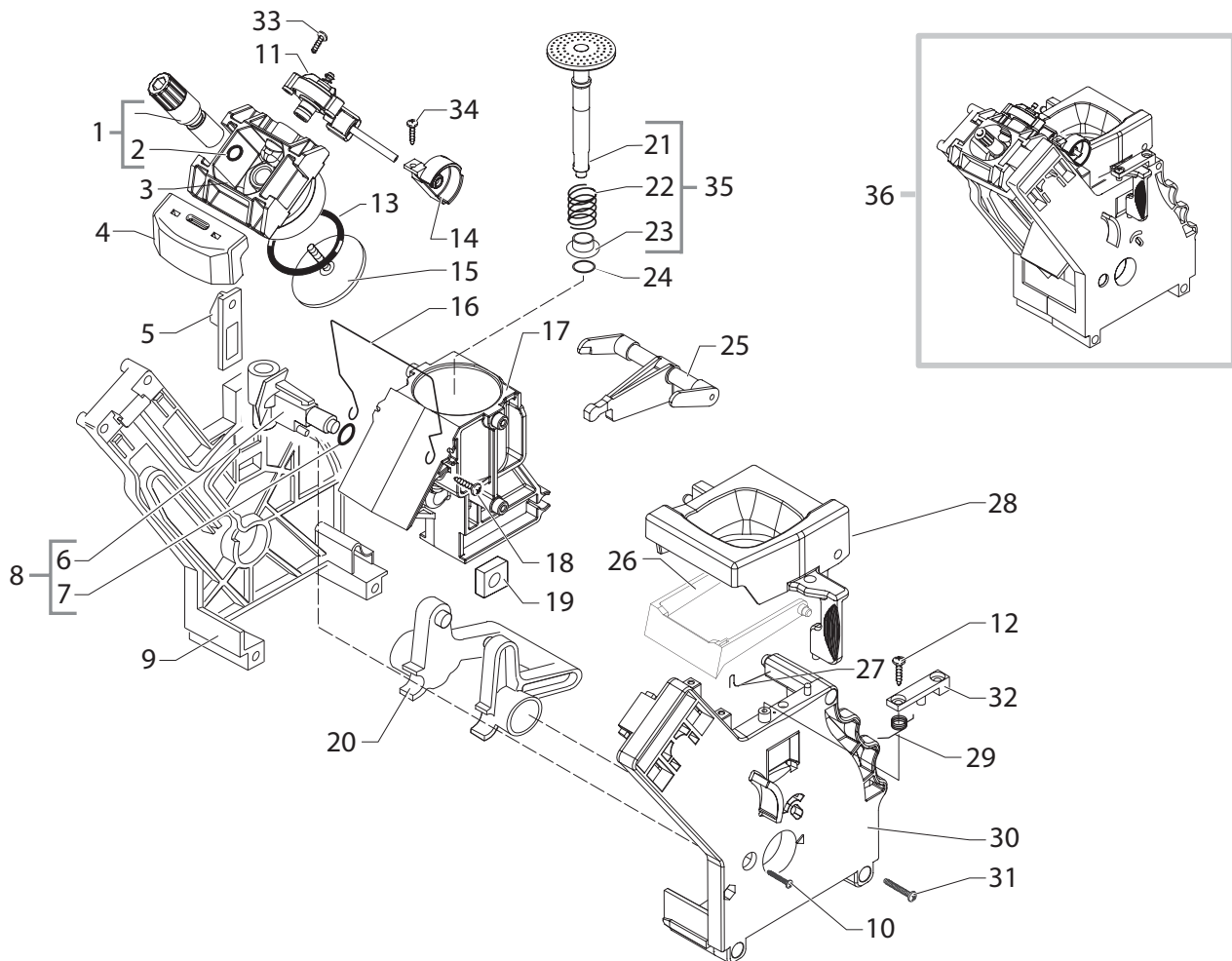


Saeco SUP021YNR
INTERNATIONAL GROUP



Cod. 740827-28
Cod. 1000050

POS	CODE	DESCRIPTION	NOTE	POS	CODE	DESCRIPTION	NOTE
01	9141.001	SCREW OF INCREMENT		28	11026355	BLK GROUND COFF.OUTLET CONVEYOR V4 ASSY.	
02	149198250	UPPER GRINDER SUPPORT COFFEEGRINDER		29	129914002	SCREW TCB TORX 10 3,5X16 PLAST.ZN-B	
03	140328960	NBR FDA OR METRIC 0530-15		30	129661702	PANELVIT TCB SCREW 3,5X25 D.7505 ZN	
04	146520100	BAKED CLAY KLAGER GRINDER 48X28		31	145854662	COFEGRIND.MOTOR ANTIVIBR.SEAL SMART	
05	127473603	PIN M4-M6 NICK.FOR INCREMENT SCREW		32	227533000	ASSEMBLY BOILER SUPPORT PLATE SMART	
06	123030300	AXIAL BEARING EKKO 342.35252			11009360	BOILER SUPPORT PLATE SMART UL ASSY.	120V
07	149199750	UPPER GEAR SUPP. COFFEEGRINDER SMART		33	129670202	PANE. TCB SCREW 3,5X16 TESTA D=8 Z	
08	149199850	LOWER GEAR SUPP. COFFEEGRINDER SMART		34	147532300	BLACK GRINDER SUPPORT PLATE SMART	
09	146002150	COFFEE GRINDING ADJUSTM. GEAR SMART			11000467	BLACK GRINDER SUPPORT PLATE SMART/UL	(USA) SEE PART.N°59
10	227710904	STEAM KNOB ZAMAS CHROM.PLATED SMART		35		PARTICULAR NOT AVAILABLE	
11	149198350	LOWER GRINDER SUPPORT COFFEEGRINDER		36	145854462	GROUND COFFEE CONT.SEAL LOWER SMART1	
12	126772918	SPRING FOR ADJUSTMENT GRINDING GEAR		37	11005343	BLACK FAUCET SUPPORT V2 SMART	
13	142905450	UPPER BODY WITH COFFE.GROUND OUTLET		38	129660902	PANELVIT TCB SCREW 3,5X12 D.7505 Z	
14	128381800	CRINKLE WASHER 21,8X15,8X0,2		39	227961303	STRAIGHT CONNECTOR	
15	123030200	RADIAL BEARING 61900.2RS1		40	186724200	MICROSWITCH SAIA X3M502K2KAJ32AV	
16		PARTICULAR NOT AVAILABLE	SEE PART. N°56	41	9161.345.050	INT.COVERING BLACK PUMP SPACE	
	226000300	GEAR SX Z=38 ASS.FOR GRINDER MOTION FROM S/N 9005SA40371063		42	9161.333.050	BOILER BLACK COVER	120V
17	20000230	KIT SPARES FOR SENSOR MC/V3 SMART 230V UP TO S/N 9005SA90357734			11009327	BLACK BOILER COVER SMART UL	120V
	181540900	ELECTRONIC BOARD WITH SENSOR HAL506 FROM S/N 9005SA90357735		43	129535721	SCREW TSP3,5X9,5 DIN 7982 SS	
18		PARTICULAR NOT AVAILABLE	SEE PART. N°56	44		PARTICULAR NOT AVAILABLE	SEE PART.N°59
	11004354	MOTOR COFFEEGRINDER/V3.1 IME 230V ASSY. FROM S/N 9005SA40371063	230V	45	NF11.052	OETIKER CLIP	
	11004409	MOTOR COFFEEGRINDER/V3.1 IME ASSY. FROM S/N 9005SA40371063	120V (USA)	46		PARTICULAR NOT AVAILABLE	SEE PART.N°59
19	149199050	SENSOR SUPPORT FOR COFF.GRIND.MOTOR		47		PARTICULAR NOT AVAILABLE	SEE PART.N°59
20	128381902	FLAT WASH.DI=4,3 DE=14 SP=1,5 GALV.		48	147756400	PROTECTION FAUCET BODY WATER/STEAM	
21	123453102	SELF LOCK NUT M4 DIN 982 HIGH GALV.		49	JS01.019	SILIC. TUBE FABRIC FINISH 3X7	IN ROLL
22	149214800	CAP FOR WORM SCREW MC/V3 CENTRING		50	9161.332.050	EXT.COVERING BLACK PUMP SPACE	
23	144752300	DEADLOCK MOTOR FLANGE SMART1		51	126772018	SPRING DI=7,5 FOR FABRIC FINISH TUB	
24	145854562	COFFEEGRIND.MOTOR SUPPORT SEAL SMART1		52		PARTICULAR NOT AVAILABLE	SEE PART.N°59
25	11000516	GENERAL MOTOR ASS.MC/V3.1	230V	53		PARTICULAR NOT AVAILABLE	SEE PART.N°59
	11000514	GENERAL MOTOR ASS.MC/V3.1	120V (USA)	54		PARTICULAR NOT AVAILABLE	SEE PART.N°59
26	140360500	FELT RING 45,4X39,4X4		55		PARTICULAR NOT AVAILABLE	SEE PART.N°59
27	225802550	BREW UNIT WITH VALVE SMART	(I) OTHER COUNTRY	56	20000202	SPARES KIT MOTOR COFFEEGRINDER/V3 230V UP TO S/N 9005SA40371062	WITH PART. N°16 - 18
	11003426	BLACK BREW UNIT V3 NEW/SBS SMART SEE COD. EXP. E90046 NEXT PAGE NOTE:FOR SINGLE PARTS OF OLD GREY BREW UNIT:SEE ESP.CODE E90041 LAST PAGE			20000410	SPARES KIT MOTOR COFFEEGRINDER/V3 230V UP TO S/N 9005SA40371062	WITH PART. N°16 - 18 (USA)
				57	140328059	OR 2015 IN SILICONE PTFE/FDA	
				58	9011.144	FORK FOR TUBE D.4	
				59	20007014	KIT STEAM FAUCET SMART ASSY.	COMPLETE



Saeco
INTERNATIONAL GROUP

SUP 021 SBS / INC 001-002



Cod. 11003426

POS	CODICE	DESCRIZIONE	NOTE
01	227470150	AS.PERNO X DOCCIA COMPLETO NERO	
02	NM02.006	OR R5 TERMOIL	
03	11003428	CONTROPISTONE X GRUPPO CAFF' SMART NERO	
04	11000197	PROTEZIONE X SCHIZZI GRUPPO CAFF' SMART	
05	9161.373.050	PIASTRINA AGGANCIO GRUP.CAF.SMART NERO	
06	9161.064.050	MANICOTTO ENTRATA ACQUA GRUP.CAFF. NERO	
07	NM02.007	OR 2025 TERMOIL	
08	20000440	GRUPPO RICAMBIO MANICOTTO NERO	
09	9161.375.050	PIASTRA POSTERIORE GRUPPO SMART NERO	
10	12000550	VITE TCB 3X25 PLAST.INOX	
11	229452400	AS.GEN.VALV.SAECO BREWING SYSTEM SMART	
12	12000895	VITE TSP 3X10 PLAST.INOX	
13	NM01.044	OR ORM 0320-40 IN SILICONE PTFE/FDA	
14	149198850	SUPPORTO TUBO TEFLON GRUPPO SMART NER	
15	9160.075	AS.DOCCIA DE=35,8 ELFO C/VITE E DADO	
16	11001556	MOLLA RASATORE H=49 X GRUPPO CAF.SMART	
17	11003075	AS.CONT.CAF.C/BOCC.SALD.GRUPP.P124 8G.NER	CON PART.N°24
18	129912521	VITE TCB R 3,5X14 PLAST.INOX	
19	9161.094.050	BLOCCETTO FORATO GRUP.CAFFE' PA/NERO	
20	9161.066.050	ALBERO A GOMITO X GRUPPO NERO	
21	11003077	AS.PISTONE INTEGRALE GRUPP.124 8GR.NERO	
22	9161.198	MOLLA PISTONE GRUPPO CAFF' M5000	
23	9161.191	BOCCOLA PISTONE GRUP.CAFF.M5000 NEUTRO	
24	NM02.018	OR METRICO 0090-25 IN TERMOIL	
25	11003078	BIELLA X GRUPPO P124 8GR.NERO	
26	11004161	RASATORE X GRUPPO CAFF' NERO	
27	9161.046	MOLLA X RASATORE GRUPPO	
28	149261350	TRAMOGGIA GRUPPO CAFF' SMART1 NERO	
29	9161.378	MOLLA TRAMOGGIA GRUPPO CAFF' SMART	
30	11005920	PIASTRA ANT.GRUPPO SMART S/F.NER.SER.NEW	
31	12000897	VITE TCB 3,5X20 PLAST.INOX	
32	9161.374.050	PIASTRA FISS. TRAMOG. GRUP.CAF.SMART NERO	
33	U109.027	VITE TCB 2,9X19 LAMIERA INOX	
34	129910921	VITE TCB 3X10 PLAST.INOX	
35	11023086	AS.GEN.PISTONE INTEGR.GRUP.CAF.8GR.NER.	
36	11003426	GRUPPO CAFF' V3 SMART/NEW/SBS NERO	

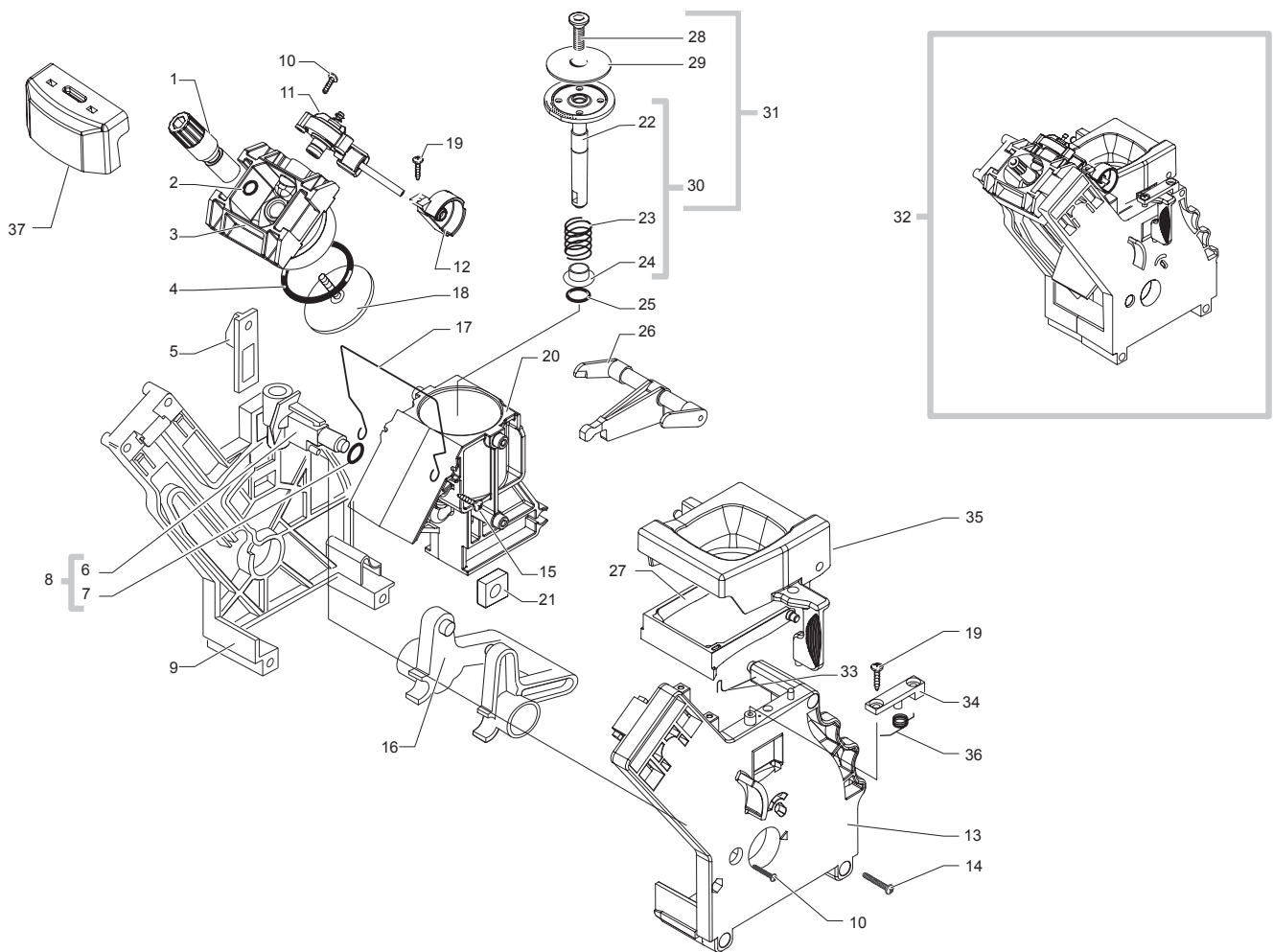
POS	CODE	DESCRIPTION	NOTE
01	227470150	PIN BLACK ASS.FOR PERCOLATOR	
02	NM02.006	OR R5 TERMOIL	
03	11003428	BLACK COUNTERPISTON FOR SMART COF.UNIT	
04	11000197	PROTECTION FOR BREW UNIT SMART	
05	9161.373.050	BLACK COUPLING PLATE BREW UNIT SMART	
06	9161.064.050	BLACK WATER INLET SLEEVE BREW UNIT	
07	NM02.007	OR 2025 TERMOIL	
08	20000440	BLACK SPARE SLEEVE UNIT	
09	9161.375.050	BLACK REAR PLATE FOR BREW UNIT SMART	
10	12000550	SCREW TCB TORX 10 3X25 PLAST.SS	
11	229452400	SAECO BREWING SYSTEM VALVE SMART ASSY.	
12	12000895	SCREW TSP TORX 10 3X10 PLAST.SS	
13	NM01.044	OR ORM 0320-40 IN SILICONE PTFE/FDA	
14	149198850	BLACK SUPPORT TEFL. TUBE BREWUNIT SMART	
15	9160.075	PERCOLATOR DE=35,8 ELFO ASSY.	
16	11001556	SPRING H=49 FOR COFFEE BREW UNIT SMART	
17	11003075	BLACK COFFEE CONTAINER BREW UNIT P124	WITH PART.N°24
18	129912521	SCREW TCB R TORX 10 3,5X14 PLAST.SS	
19	9161.094.050	BLACK DRILLED BLOCK BREW UNIT	
20	9161.066.050	ELBOW SHAFT FOR UNIT BLACK	
21	11003077	BLACK INTEGRAL PISTON UNIT P124 8GR.ASS	
22	9161.198	PISTON SPRING BREW UNIT M5000	
23	9161.191	NEUTRAL PISTON BUSH BREW UNIT M5000	
24	NM02.018	OR ORM 0090-25 TERMOIL	
25	11003078	BLACK CONNECTING ROD FOR UNIT P124 8GR.	
26	11004161	BLACK SCRAPER FOR COFFEE UNIT	
27	9161.046	SPRING FOR UNIT SCRAPER	
28	149261350	BLACK HOPPER DOSER BREW UNIT SMART1	
29	9161.378	SPRING HOPPER SMART BREW UNIT	
30	11005920	BLACK FRONT PLATE BREW UNIT SMART S.SCR.	
31	12000897	SCREW TCB TORX 10 3,5X20 PLAST.SS	
32	9161.374.050	BLACK HOPPER BLOCKING PLATE UNIT SMART	
33	U109.027	SCREW TCB TORX 10 2,9X19 SHEET SS	
34	129910921	SCREW TCB TORX 10 3X10 SS	
35	11023086	BLK 8GR.BREW UNIT NTEGR.PISTON GEN.ASSY.	
36	11003426	BLACK BREW UNIT V3 NEW/SBS SMART	

Saeco
INTERNATIONAL GROUP

GRUPPO CAFF' SMART V3 NEW SBS NERO

Rev. 03 - 23/11/09

TAVOLA 1/1



Saeco
INTERNATIONAL GROUP

GRUPPO CAFFE' 2 DOSI PER SUP 021 SBS



Cod. 225802550-2650

POS	CODICE	DESCRIZIONE	NOTE
01	227470150	AS.PERNO X DOCCIA COMPLETO NERO	
02	NM02.006	OR R5 TERMOIL	
03	142990150	CONTROPISTONE GRUPPO SMART1 NERO	
04	140329262	OR METRICO 0380-40 IN SILICONE	
05	9161.373.050	PIASTRINA AGGANCIO GRUPPO SMART NERA	
06	9161.064.050	MANICOTTO ENTRATA ACQUA NERO	
07	NM02.007	OR 2025 TERMOIL	
08	0301.R04.150	GRUPPO RICAMBIO MANICOTTO GRIGIO	
09	9161.375.050	PIASTRA POSTERIORE GRUPPO SMART NERA	
10	U109.027	VITE AUT.TCB 2,9X19 DIN 7981 C INOX	
11	229452400	AS.VALVOLA SAECO BREWING SYSTEM SMART	
12	149198859	SUPPORTO TUBO TEFLON GRUPPO SMART GRI	
13	227532950	PIASTRA ANT.GRUPPO SMART S/FORO NER.SER	
14	U109.026	VITE AUT.TCB 3,5X19 DIN 7981 C INOX	
15	U109.013	VITE AUT.TCB 3,5X13 DIN 7981 C NIK	
16	9161.066.050	ALBERO A GOMITO X GRUPPO NERO	
17	11001556	MOLLA RASATORE H=49 X GRUPPO CAF.SMART	
18	11009162	DOCCIA D=35,8 276FORI C/VITE M3x20 LUCID	
19	U109.028	VITE AUT.TCB 2,9X9,5 DIN 7981 C INOX	
20	11001695	AS.CONTEN.CAFFE' GRUPPO SMART1 NEW NER	
21	9161.094.050	BLOCCETTO FORATO X GRUPPO NERO	
22	227660950	AS.PISTONE C/INS.M3 X GRUPPO SMART1 NERO	
23	126773318	MOLLA X PISTONE GRUPPO SMART1	
24	9161.191	BOCCOLA X PISTONE NEUTRO	
25	140329361	OR METRICO 0100-25 IN TERMOIL	
26	141600750	BIELLA X GRUPPO SMART1 NERA	
27	147990150	RASATORE X GRUPPO SMART1 NERO	
28	129852821	VITE TSP M3X14 UNI 7688 INOX	
29	9161.167	DOCCIA D.35,8	
30	11002849	AS.PIST.C/DOCCIA S/MOLLA GRUP.SMART1 NER	
31	227680150	AS.PIST.C/DOCCIA C/MOLLA GRUP.SMART1 NER	
32	225802550	GRUPPO CAFFE' SMART1/SBS S/FORO NERO	
33	225802650	GRUPPO CAF.SMART1/SBS/ELFO S/FORO NERO	
34	9161.046	MOLLA X RASATORE GRUPPO	
35	149261350	TRAMOGGIA X GRUPPO CAFFE' SMART1 NERA	
36	9161.374.050	PIASTRA FISSAG.TRAMOGG.GRUPPO SMART NERA	
37	11000197	MOLLA TRAMOGGIA GRUPPO SMART	
		PROTEZIONE X SCHIZZI GRUPPO CAFFE' SMART	

① ALTRI PAESI

POS	CODE	DESCRIPTION	NOTE
01	227470150	PIN BLACK ASS.FOR PERCOLATOR	
02	NM02.006	OR R5 TERMOIL	
03	142990150	BLACK COUNTER PISTON BREW UNIT SMART	
04	140329262	OR METRIC 0380-40 IN SILICONE	
05	9161.373.050	BLACK COUPLING PLATE BREW UNIT SMART	
06	9161.064.050	WATER INLET SLEEVE BLACK	
07	NM02.007	OR 2025 TERMOIL	
08	0301.R04.150	SPARE SLEEVE UNIT GREY	
09	9161.375.050	BLACK REAR PLATE FOR BREW UNIT SMART	
10	U109.027	SS.SCREW AUT.TCB 2,9X19 DIN 7981 C	
11	229452400	SAECO BREWING SYSTEM VALVE SMART ASSY	
12	149198859	SUPPORT FOR TEFLON TUBE BREW UNIT	
13	227532950	FRONT PLATE FOR BREW UNIT SMART	
14	U109.026	SS.SCREW AUT.TCB 3,5X19 DIN 7981 C	
15	U109.013	screw AUT.TCB 3,5X13 DIN 7981 C	
16	9161.066.050	ELBOW SHAFT FOR UNIT BLACK	
17	11001556	SPRING H=49 FOR COFFEE BREW UNIT SMART	
18	11009162	SHINE PERCOL.D=35,8 276HOL.VW/SCREW M3x20	
19	U109.028	SCREW AUT.TCB 2,9X9,5 DIN 7981 C	
20	11001695	AS.CONTEN.CAFFE' GRUPPO SMART1 NEW NER	
21	9161.094.050	DRILLED BLACK BLOCK FOR UNIT	
22	227660950	BLACK PISTON ASSY.FOR BREW UNIT SMART1	
23	126773318	SPRING FOR PISTON BREW UNIT SMART	
24	9161.191	BUSH FOR PISTON NEUTRAL	
25	140329361	OR METRIC 0100-25 IN TERMOIL	
26	141600750	CONNECTING ROD FOR DISPENSER UNIT	
27	147990150	SCRAPER FOR BREW UNIT SMART	
28	129852821	TSP SCREW M3X14 UNI 7688 SS	
29	9161.167	PERCOLATOR D.35,8	
30	11002849	BLACK PISTON FOR BREW UNIT SMART1 ASSY.	
31	227680150	BLACK PISTON FOR BREW UNIT SMART1 ASSY.	
32	225802550	BREW UNIT WITH VALVE SMART	
33	225802650	BREW UNIT W/VALVE SMART/ELFO	
34	9161.046	SPRING FOR UNIT SCRAPER	
35	149261350	BLACK HOPPER BLOCKING PLATE UNIT SMART	
36	9161.374.050	BLACK HOPPER DOSER BREW UNIT SMART1	
37	11000197	PROTECTION FOR BREW UNIT SMART	

① OTHER COUNTRY

Saeco
INTERNATIONAL GROUP

GRUPPO CAFFE' SMART SBS S/FORO NERO

Rev. 04 - 14/09/07

TAVOLA 1/1