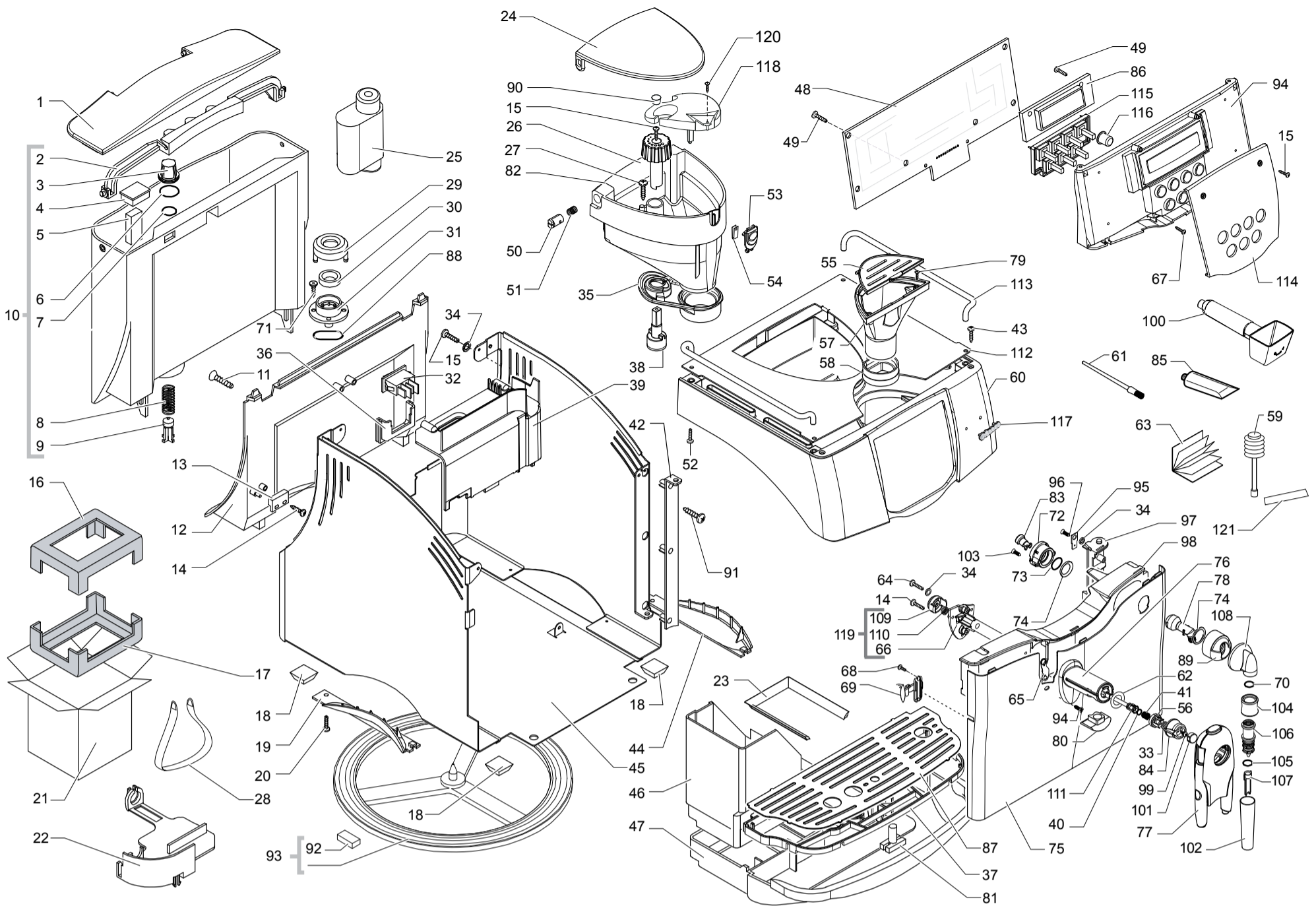


**Saeco** SUP021YBDR  
INTERNATIONAL GROUP

**C E** Cod.740825-26-1000112-2292

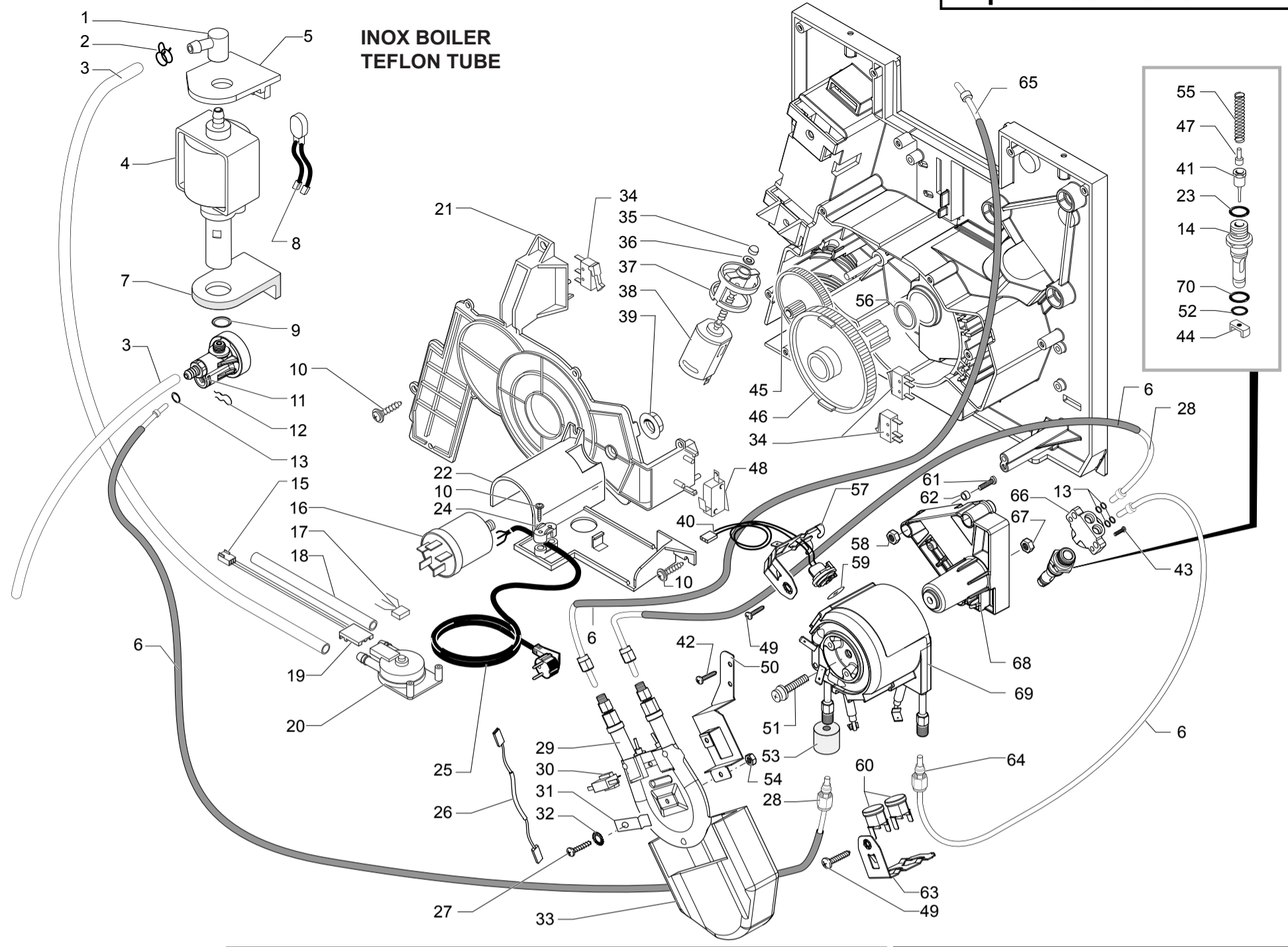
POS	CODE	DESCRIPTION	NOTE	POS	CODE	DESCRIPTION	NOTE
01	142816500	WATER CONTAINER LID SMART NAT./GREY		37	229183750	BLACK SUPPORT GRATE METAL SMART	
02	146580950	BLACK KNOB WATER CONTAINER LID SMAR		38	145897300	INSERT GRINDING ADJUSTM.KNOB SMART	
03	224640200	EXTERNAL FILTER FOR WATER CONTAINER ASSY	WITH PART.N°06	39	147755800	INT.CASING PROTECTION POWER CABLE	
04	149214359	BLACK CAP FOR FLOATING SPACE LAV.		40	140326661	OR METRIC 0040-20 IN EPDM	
05	9161.112.150	LEVEL FLOAT GREY		41	126772518	SPRING FOR CREAM ADJUSTMENT SHAFT	
06	140328461	EPDM OR METRIC 0019-10		42	226481426	DOOR HINGE KIT SMART SILVER A13	
07	140324362	OR METRIC 0060-30 IN SILICONE			222630526	DOOR HINGE SMART SILVER A13	
08	126764718	SPRING FOR WATER CONTAINER VALVE			226481450	DOOR HINGE KIT SMART BLACK	
09	147660562	GREY PISTON FOR WATER VALVE			222630550	DOOR HINGE SMART BLACK	
10	226476300	KIT WATER CONTAINER SMART NATURAL/GREY		43	U143.018	SCREW TORX TCB 3,5X16 F TIP BL	
11	12000381	SCREW TSP PZ2/TT M3X8 UNI 8109 ZINC		44	225920241	SILVER LEFT HANDGRIP SMART	
12	149194650	SUPPORT WATER CONT. W/O LAMP HOUSING			225920108	HANGRIP DX SMART CHROMED	
	149194618	SUPPORT WATER CONT. W/O LAMP HOUSING		45	11001021	MATT SILVER CASING SMART	
13	283551900	2 POLE LEVEL SENSOR AS.SMART	230V		222360450	CASING WITH KNOB SMART BLACK	
	283551955	2 POLE LEVEL SENSOR AS.SMART	120V - 220V	46	11005555	BLACK DUMP BOX SMART SILK/SCREEN	
14	129532521	SCREW TSP2,9X9,5 DIN 7982 SS		47	229630826	SILVER A13 DRIP TRAY SMART	
15	129913902	SCREW TCB TORX 10 3X12 PLAST.ZN-B			229630850	BLACK DRIP TRAY SMART	
16	175898600	UPPER TECHMATE INSERT FOR BOX SMART1		48	281565158	ELECT.BOARD CPU SMART SUP021YBDR ASSY.	WITH PART.N°115
17	175897300	LOWER TECHMATE INSERT FOR BOX SMART		49	129913202	SCREW TCB TORX 10 3X8 PLAST.ZN-B	
18	147623150	SQUARE ADHESIVE FOOT 5023 BLACK		50	147472750	PIN FOR DEADLOCK SPRING SMART1 DIG.	
19	225920141	HANGRIP SX SMART SILVER		51	126838818	SPRING FOR BEAN COFFEE CONTAINER	
	225920208	HANGRIP SX SMART CHROMED		52	U046.003	SCREW TCBC M4,0X12 INDENT. WASH.8	
20	129912902	SCREW TCB TORX 10 2,9X6,5 SHEET ZN-B		53	149252850	OPENING BUTTON BEAN CONTAINER COFFE	
21	178517600	DISPLAY BOX SAECO INCANTO S-CLASS		54	126838918	SPRING FOR BUTTON BEAN CONTAINER COF.	
22	148601650	GROMMET FOR POWER CABLE SMART		55	222802400	GROUND COF.CONT.LID CLASSIC NATGREY	
23	229170450	SEALING SUPPORT AS.WATER DRIP TRAY		56	149198700	SUPPORT CREAM ADJUSTMENT SHAFT	
24	142816700	BEAN COFF.CONT.LID SMART NATUR/GREY		57	149261500	HOPPER GROUND COFFEE DOSER SMART	
25	21001406	ACC SAE MAVEA UNI.WAT.FILTERX1 USA		58	145854360	GROUND COFFEE CONT.SEAL UPPER SMART1	
	21001404	ACC SAE BRITA UNI.WAT.FILTERX1 EUR-ASIA		59	147700200	POMPA DI CARICAMENTO DIAM.EST.17 MM	U.S.A.
26	227721800	GRIND.ADJUST.NATGREY KNOB SMART S/S		60	222813826	SILVER 13 COVER SMART SILK/SCREEN DLX	
27	U142.005	PANELVIT TSP 4,5X16 DIN 7505 A GAL			222813850	BLACK COVER SMART SILK/SCREEN DELUXE	
28	179990300	BAND FOR LIFTING L=1550 H=300 MM			11001861	SILVER 13 COVER SMART/UL S/SCREEN DLX	KOREA
29	0701.031.150	SEAL COVER GREY			222847926	SILVER 13 COVER SMART SILK/SCREEN DLX	COMPLETE
30	145842900	WATER CONTAIN.VALVE SEAL GACO DIM14			222847950	BLACK COVER SMART SIL/SCREEN DELUXE	COMPLETE
31	0701.014.150	SEAL CONTAINER GREY			11001860	SILVER 13 COVER SMART/UL S/SCREEN DLX	KOREA COMPLETE
32	NE03.038	BIPOLAR SWITCH FUSIT C1250AR			11007666	AS.COP.SMART/NT UL C/AP.A13/120V SER.DLX	U.S.A. COMPLETE
33	U207.003	PLAIN WASHER 3,2X7 UNI 6592 GAL		61	127390100	BRUSH FOR CLEANING	
34	128310321	WASHER UNI 8842 A3 SS					
35	145854760	BEAN COFFEE CONTAINER SEAL SMART					
36	149202550	SWITCH GENERAL SUPPORT BLACK SMART					
37	229183726	SILVER A13 SUPPORT GRATE METAL SMART					



**Saeco** SUP021YBDR  
INTERNATIONAL GROUP

**C E** Cod.740825-26-1000112-2292

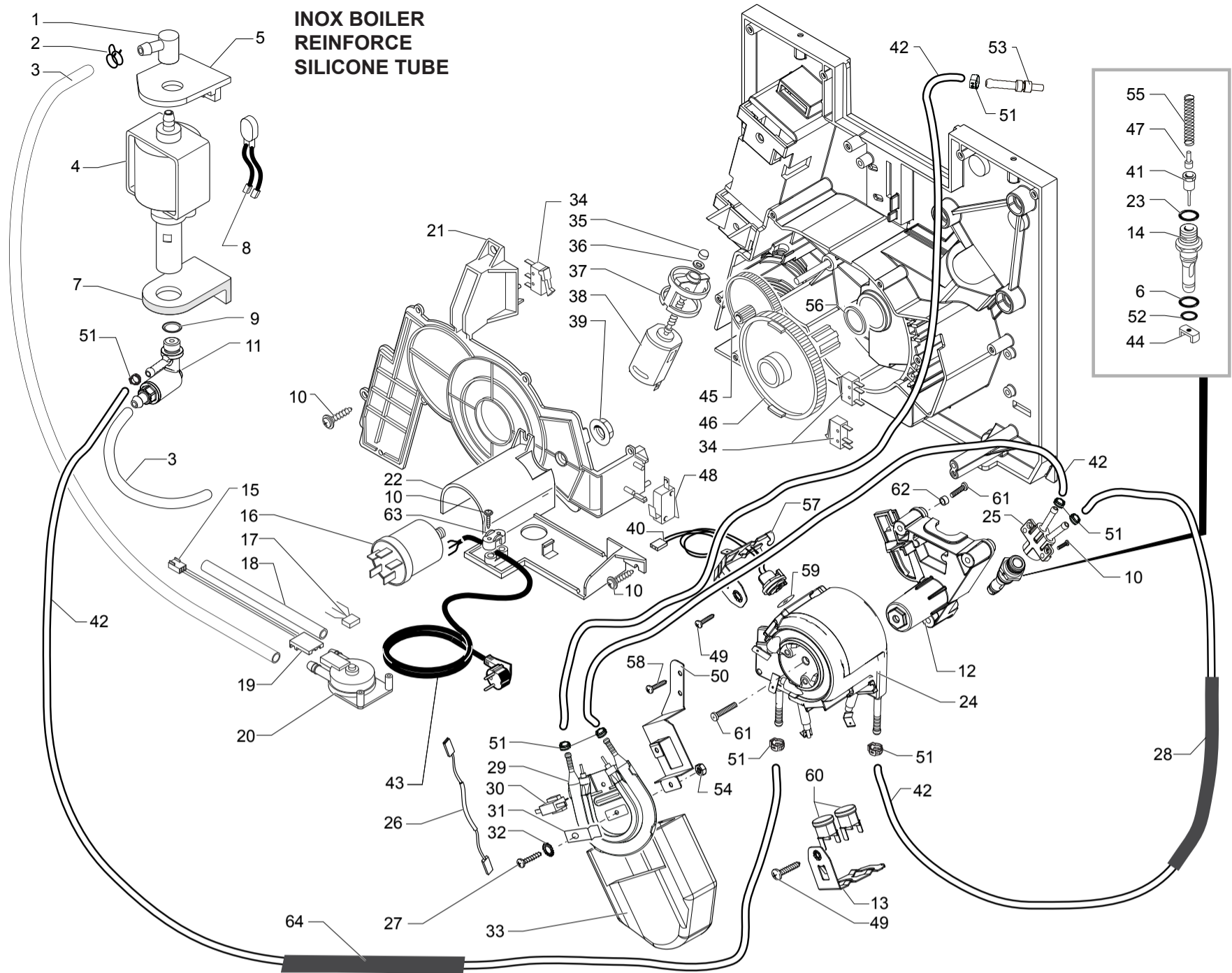
POS	CODE	DESCRIPTION	NOTE	POS	CODE	DESCRIPTION	NOTE
62	148380800	MYLAR WASHER DE=19 DI=12 SP=0,2		95	186400903	FLAT TABS 6,3 0210380440	
63	165897300	INSTRU.MANUAL SAECO TYPE SUP021YBDR		96	129562603	SCREW TSC PZ-B 2,9X9,5 UNI 6956 NI	
	165897327	INSTRU.MANUAL SAECO TYPE SUP021YBDR		97	229183526	SUP.HINGE DOOR METAL.SMART SILV.A13	
64	129571121	SCREW TCB PH/SW 3X14 UNI 8112 INOX			229183550	SUPPOR.HINGE DOOR METAL.SMART BLACK	
65	127535820	PLATE FOR DOOR METALLIC SMART		98	229183126	SUPPORT DOOR METAL.SMART SILVER A13	
66	11002322	COFF. DISPENSER TUBE FOR ADJUST.SHAFT <b>FROM S/N 9006SA40349625</b>			229183150	SUPPORT DOOR METALLIC SMART BLACK	
67	129660902	SCREW PANELVIT TCB 3,5X12 D.7505 ZNP		99	129512503	SCREW TCB 2,9X9,5 DIN 7981 NICK	
68	129670302	PANE.TCB SCREW 2,9X9,5 TES.D=7,5 ZN		100	146680850	BLACK COFFEE MEASURE SMART	
69	146313740	DISENGA. LEVER GREY/SILVER DOOR SMART		101	229200250	BLACK CAP FOR KNOB CREAM ADJUSTMENT	
70	140324461	OR METRIC 0060-20 IN TERMOIL		102	122842121	EXTERNAL COVER ST.STEEL PANNAR.G100	
71	129535721	SCREW TSP3,5X9,5 DIN 7982 SS		103	129571521	SCREW TCB PH/SW 3X18 UNI 8112 INOX	
72	149200450	SUPPORT FOR ARTICULATED JOINT		104	147757050	STEAM TUBE PROTECTION	
73	140329162	OR 117 IN SILICONE 70 SH		105	140320762	OR 108 IN SILICONE	
74	148620900	SEMISPHERE SEAL FOR ARTICULAT.JOINT		106	222270249	UPPER TUBE ASS.FOR PANNARELLO	
75	11001009	GLOSS/SILVER DOOR METALLIC SMART		107	4301018000	LOWER INTERNAL PIPE	
	228982950	DOOR METALL SMART BLACK		108	228660304	CONNECTOR FOR STEAM TUBE	
76	229184704	COFFEE DISPENSER SUPPORT WITH HOLE		109	149213450	CAP FOR COFFEE DISPENSER TUBE <b>FROM S/N 9006SA40349625</b>	
77	223701026	SILVER/A13 COFFEE DISPENSER AS.SMART		110	11002323	CONIC SEAL FOR COFFEE DISPENSER TUBE <b>FROM S/N 9006SA40349625</b>	
	223701050	BLACK COFFEE DISPENSER AS.SMART		111	140640200	CREAM ADJUSTMENT SHAFT	
78	147922249	CONNECTOR FOR ARTICULATED JOINT		112	222802340	CUP WARMING LID SMART STAINSTEEL-SB	
79	129533202	SCREW TSPTORX T10 3,5X9,5 D7982 NI		113	227751808	CUPS PROTECTION SMART/DIG.CHROMED	
80	145854962	SEAL FOR COFFEE DISPENSER V2 SMART		114	224890626	SILVER A13 FRONT.PANEL SMART DELUXE AS.	
81	145501211	RED FLOAT FOR DRIP TRAY SMART			224890650	BLACK FRONT.PANEL SMART DELUXE ASSY.	
82	142714400	BEAN CONTAIN.NATURAL/GREY SMART DIG		115	149253100	TOUCH PANEL 4+3 BUTTONS SMART DIGIT	
83	145896949	RETAINING INSERT TEFLON TUBE		116	229141008	BUTTON SMART DELUXE CHROMIUM PLATED	
84	227701104	CREAM ADJUSTM.KNOB GLOSS CHR.PLATED		117	127573900	PLATE WITH LOGO SAECO SMART DIAMOND	
85	11005044	SAECO KLUBER TRIBOSTAR SIL 2 TUBE 5GR.		118	147757800	BEAN CONT. PROTECT. SMART NATUR/GREY	
86	192200300	20x2 LCD WHITE DISPLAY FSTN		119	20000960	SPARES KIT FOR COF. DISPENSER TUBE NEW <b>UP TO S/N 9006SA40349624</b>	
87	125743421	STAINLESS STEEL GRATE SMART		120	U109.006	SCREW AUT.TCB 2,2X9,5 DIN 7981 C NIK	
88	140320461	OR METRICO 0080-20 IN TERMOIL		121	0301.961	STICKER FOR WATER HARDNESS TEST	
89	228660204	CONNECTOR FOR STEAM TUBE					
90	149213000	TRANSP.CAP FOR KNOBS BEAN CONTAINER					
91	129740202	SCREW TSP PH/TT 4X10 UNI 8113 ZNP <b>UP TO S/N 9005SA40022836</b>	WITH DOOR HINGE V2				
	129511903	SCREW TCB 2,9X6,4 DIN 7981 BZ NICK <b>FROM S/N 9005SA40022837</b>	WITH DOO.HIN.V3+KIT				
92	9991.096	SQUARE ADHESIVE FOOT 8X15X3,2					
93	220380259	ROTATING RING SMART WITH 3 FEET	WITH PART. N°92				
94	229171626	SUPPORT ELEC.CARD AS.021YBDR SILVER					
	229171650	SUPPORT ELECT.CARD AS.021YBDR BLACK					



**Saeco** SUP021YBDR  
INTERNATIONAL GROUP

**C E** Cod.740825-26-1000112-2292

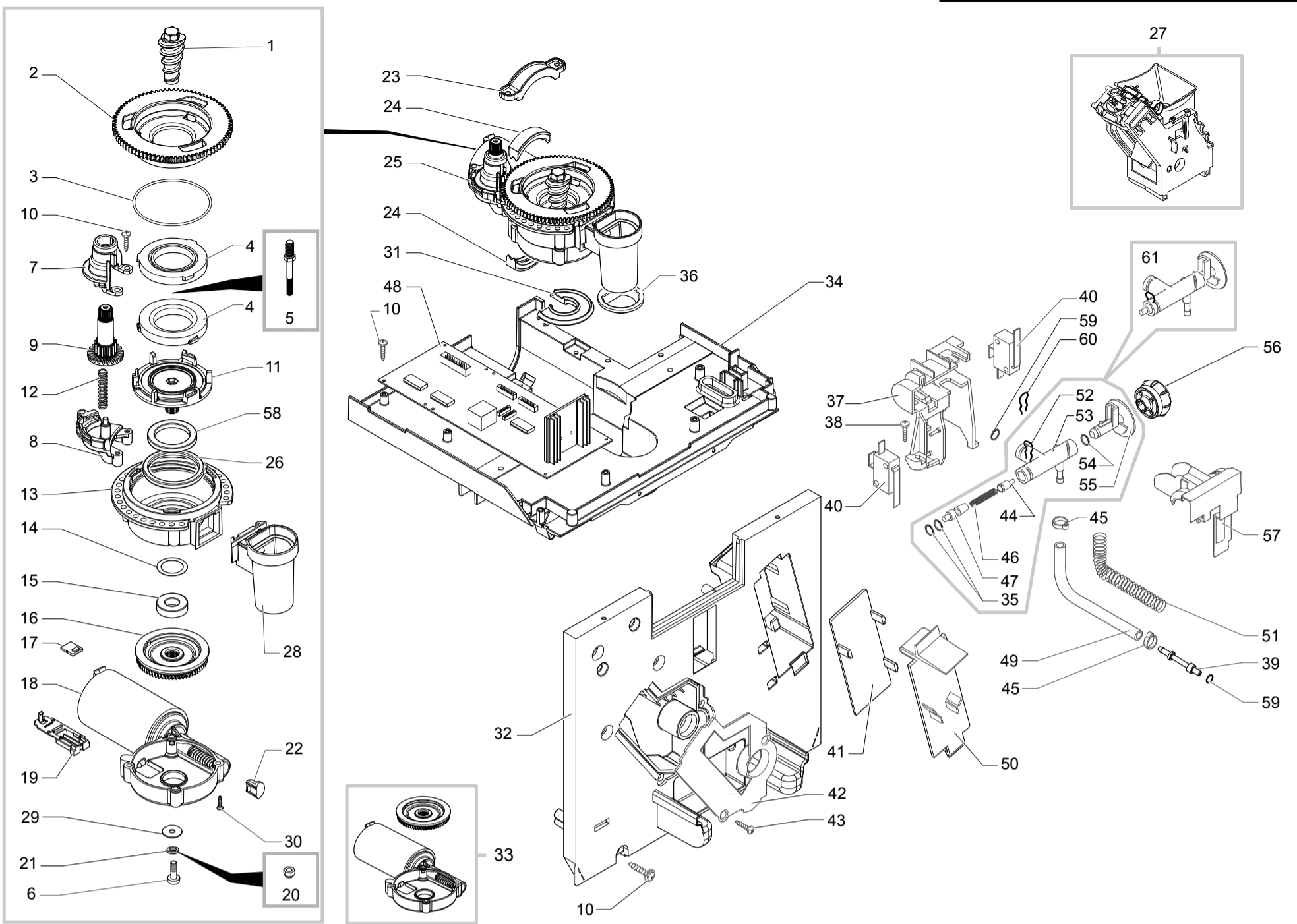
POS	CODE	DESCRIPTION	NOTE	POS	CODE	DESCRIPTION	NOTE
01	147920150	90° CONNECTOR PUMP INLET		38	11003037	MOTOR FOR RATIOMOTOR ASSY.	
02	184320200	SPRING HOSE CLAMP D=9,5MM		39	123453602	FLANGE NUT M8 TOOTHED BASE GALV.	
03	149360200	SILICONE TUBE 5X8 70SR	IN ROLL	40	288582300	SENSOR ELECT.BOARD WITH CONNECTOR	
04	12000140	ULKA PUMP EP5/S GW	230V-50HZ	41	11009019	TEA/BRASS PISTON L=20,9 ASSY.	
	12000182	ULKA PUMP EP5/S GW	220V-60HZ	42	129573402	SCREW TAPT M4X10 DIN 7985 GALV	
	12000131	POMPA ULKA EP5/S	120V-60HZ	43	129910103	HI -LO TC SCREW 3,5X15 RIF.910189	
05	149205710	PUMP SUPPORT HOLE 13,2 RED		44	11005099	NATURAL CURSOR V2 FOR BOILER P119	
06	149361200	BLACK SILICON TUBE 7,5X9,3	IN ROLL	45	9121.042	GEAR Z.12/90	
07	149185850	EATON PUMP SUPPORT MAGIC 4002012		46	9121.069.150	GEAR Z.108 FOR MOUNTING PLATE M4000	
08	0311.807	YELLOW HARNESS KLIXON JP 13	230V	47	11009013	TEA/BRASS PIN FOR PISTON L=10	
	289201000	AS.TERMPR.TERMICO 120°C CAV.125/365	120V	48	186723800	MICROSWITCH SAIA X3M502K2KAM92AS	
09	NM02.028	OR 2015 EPDM FDA		49	129573202	SCREW TCB PH/TT 4X8 UNI 8112 ZNP	
10	129914002	SCREW TCB TORX 10 3,5X16 PLAST.ZN-B		50	129025002	BRACKET BOILER SMART SUPPORT	
11	229452100	COMPENSATION AND SAFETY VALVE ASSY		51	129932202	ROUND HEAD SCREW 10.9 M5X20 GALV	
12	9011.144	FORK FOR TUBE D.4		52	NM01.057	OR ORM 0050-20 SILICONE	
13	140328059	OR 2015 IN SILICONE PTFE/FDA		53	147756562	PROTECTION FOR FOLK SPRING TUBE D=4	
14	9011.100	PEG FOR VALVE IN PLASTIC		54	U302.003	NUT HEXAGONAL M4 UNI 5588	
15	283551300	3POLE CONNECT.AS.TURBINE JP18 SMART		55	9011.132	SPRING FOR PIN	
16	184651100	ANTIDISTURB FILTER 0,47X2+1000Y2+0,5L	230V	56	9161.132	MYLAR WASHER FOR RATIOMOTOR	
	184651500	FILTRO ANTIDIST.16A F.NC.16.10.474.472.A	120V	57	126838217	SENSOR FIXING SPRING	
17		<b>PARTICULAR NOT AVAILABLE</b>	SEE PART. N°20	58	U310.003	NUT SELF LOCK.M5 UNI 7473	
18	JS01.022	SILICONE TUBE 5X10 60 SHORE	IN ROLL	59	145951600	ELECTRIC INSULATING DISK D=16	
19	9161.018	FORK FOR WATERWHEEL		60	189428200	THERMOSTAT 175° 1NT-08L-3794	230V
20	286473300	-M-VDE TURBINE WITH SENSOR KIT	WITH PART N°17		189428600	TERMOSTATO 175° 1NT-08L-5125	120V
21	9161.331.920	RATIOMOTOR COVER TRANSPARENT		61	U044.020	SREW TSP M5,0X30 UNI 7688 GALV.	
22	149194800	TURBINE SUPPORT SMART			129932502	SELF DRILLING SCREW 5X30 GALVANIZED	
	11009371	NATURAL TURBINE SUPPORT SMART UL			9161.206	INSULATING SPACER FOR BOILER	
23	140320459	OR METRICO 0080-20 SILICON.PTFE/FDA		62	126838117	2 THERMOSTATS FIXING SPRING	
24	148600600	CABLE CLAMP V0 MAGIC ESP COMBI UL		63	227876800	CONNECTOR AS.TEFLON 2X4 L=235 MM	
25	NE01.120	BLACK POWER CABLE SCHUKO L=1500		64	227875400	CONNECTOR AS.TEFLON 2X4 L=330 MM	
	183930850	BLACK POWER CABLE CH H05+3FAST.L=1500		65	227900303	BRASS/NIK.CONNEC.FOR BOILER SUPPORT	
	183940950	BLACK POWER CABLE AUST.H05+3FAS.L=1500		66	123453902	SELF-LOCKI.NUT M5X0,8 DIN 980 CLA.8	
	11001845	BLACK POWER CABLE KOREA 3X1,25 L=1600		67	20000204	SPARES KIT SUPPORT BOILER SMART	
	183922450	CAVO AL.USA SJT 3C 16AWG NERO L=1500			149197700	SUPPORT FOR ALLUMINIUM BOILER SMART	
26	183440800	CABLE 1 WIRE SILIC.BLACK THERM/FUSE 229°			282058858	ALUM.BOILER AS.WITH RESISTANCE	230V-1100W
27	129823802	TCB SCREW M4X8 UNI 7687 ZNP			282058855	AS.CALD.TUBOL/V2 C/RES.SUPPL.	120V-1100W
28	227874900	CONNECTOR AS.TEFLON 2X4 L=250 MM		70	NM01.035	OR ORM 0090-20 SILICONE	
29	288140458	HEATING-ELEMENT BLECKMAN ASSY.	230V-1000W		282135558	ALUM.BOILER 230V AS.WITH RESISTANCE	COMPLETE
	288140455	AS.RESIS.BLECKMAN 30176 FILET.	120V-1000W		282135555	AS.GEN.CALD.AL.TUB.SMART/SIRIUS C/R.120V	COMPLETE
30	189428300	THERMOSTAT 175° INTERCONTR.161471002					
31	127535319	THERMAL FUSE FIXING PLATE					
32	128310404	WASHER UNI 8842 A4 BURNISHED					
33	147755900	HEAT.ELEM. PROTECTION BLECKM. SMART					
34	NE05.038	MICROSWITCH					
35	9121.046	SINTERED BUSH FOR MOTOR					
36	148380200	WASHER BAKELIZZATE D=5,5					
37	9121.044	ANTIVIBRATION FOR MOTOR					



**Saeco** SUP021YBDR  
INTERNATIONAL GROUP

**C E** Cod.740825-26-1000112-2292

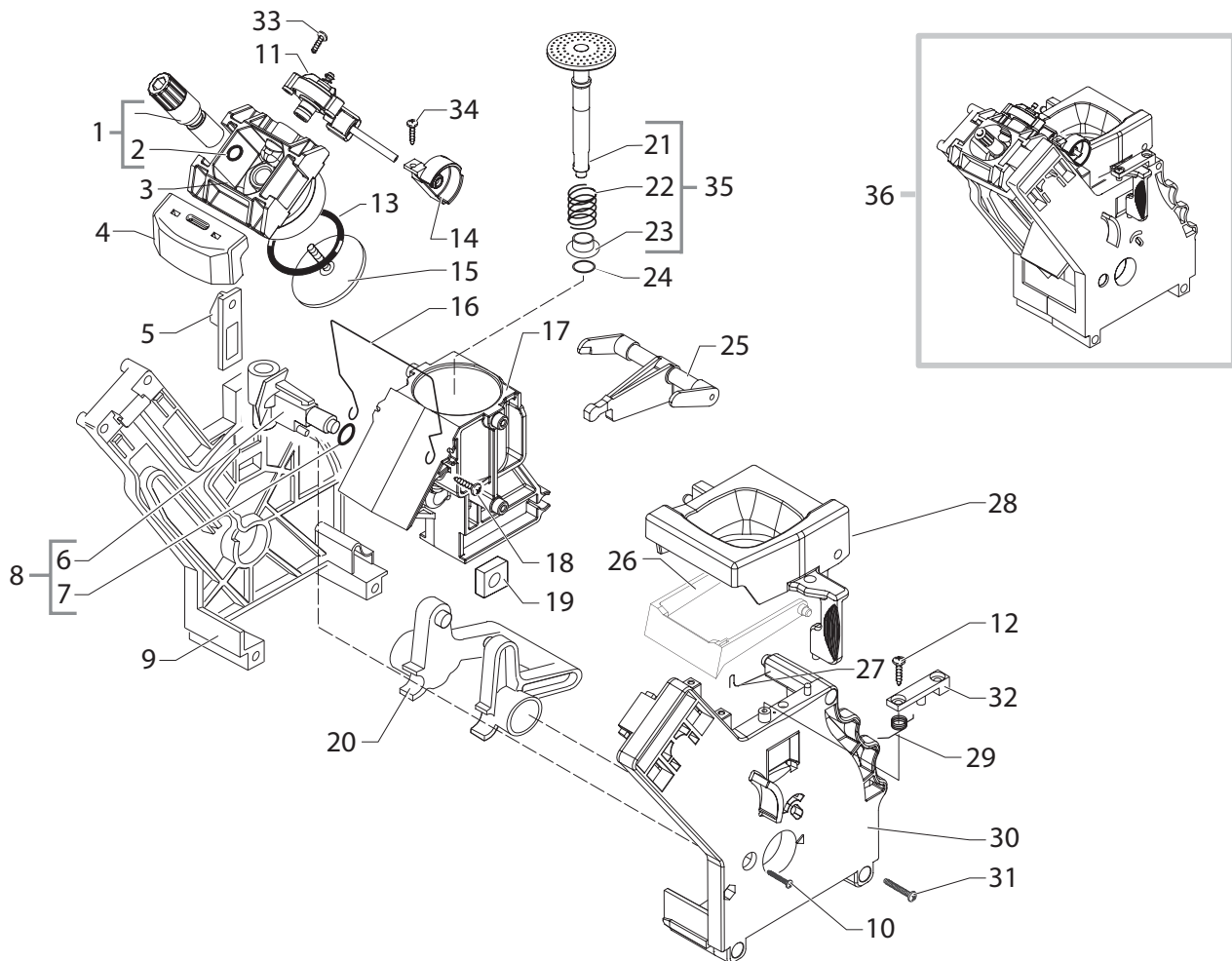
POS	CODE	DESCRIPTION	NOTE	POS	CODE	DESCRIPTION	NOTE
01	147920150	90° INLET CONNECTOR PUMP		42	16000380	5X8,9 SILICONE TUBE	IN ROLL
02	184320200	SPRING HOSE CLAMP D=9,5MM		43	NE01.120	BLACK POWER CABLE SCHUKO L=1500	
03	149360200	SILICONE TUBE 5X8 70SR	IN ROLL		183930850	BLACK POWER CABLE CH H05+3FAST.L=1500MM	
04	12000140	ULKA PUMP EP5/S GW	230V-50HZ	44	11005099	NATURAL CURSOR V2 FOR BOILER P119	
05	149205710	PUMP SUPPORT HOLE 13,2 RED		45	9121.042	GEAR Z.12/90	
06	NM01.035	OR ORM 0090-20 SILICONE		46	9121.069.150	GEAR Z=108 FOR MOUNTING PLATE M4000	
07	149185850	EATON PUMP SUPPORT MAGIC 4002012		47	11009013	TEA/BRASS PIN FOR PISTON L=10	
08	0311.807	YELLOW HARNESS KLIXON JP 13	230V	48	186723800	MICROSWITCH SAIA X3M502K2KAM92AS	
09	140321961	OR 2031 IN TERMOIL		49	129573202	SCREW TCB TORX 20 M4X8 AUTOFORMING ZN-B	
10	129914002	SCREW TCB TORX 10 3,5X16 PLAST.ZN-B		50	129025002	BRACKET BOILER SMART SUPPORT	
11	11004689	TEA/BRASS SAFETY VALVE 16-18 BAR ASSY.		51	12000892	OETIKER CLAMP D=9,5 16700004	
12	11004209	SUPPORT FOR ALLUMINIUM BOILER SMART		52	NM01.057	OR ORM 0050-20 SILICONE	
13	126838117	2 THERMOSTATS FIXING SPRING		53	11000750	TEA/BRASS CONNECTOR FOR SILICONE TUBE	
14	9011.100	PEG FOR VALVE IN PLASTIC		54	U302.003	NUT HEXAGONAL M4 UNI 5588	
15	283551300	3POLE CONNECT.AS.TURBINE JP18 SMART		55	9011.132	SPRING FOR PIN	
16	184651100	ANTIDISTURB FILTER 0,47X2+1000Y2+0,5L		56	9161.132	MYLAR WASHER FOR RATIOMOTOR	
17		<b>PARTICULAR NOT AVAILABLE</b>	SEE PART.N°20	57	126838217	SENSOR FIXING SPRING	
18	JS01.022	SILICONE TUBE 5X10 60 SHORE	IN ROLL	58	129573402	SCREW TAPT M4X10 DIN 7985 GALV	
19	9161.018	BRACKET FOR TURBINE		59	145951600	ELECTRIC INSULATING DISK D=16	
20	286473300	-M-VDE TURBINE WITH SENSOR KIT	WITH PART.N°17	60	189428200	THERMOSTAT 175° 1NT-08L-3794	
21	9161.331.920	TRANSPARENT RATIOMOTOR COVER		61	129932502	SCREW TCEI 5X30 PLAST.ZN-B	
22	149194800	NATURAL TURBINE SUPPORT SMART		62	9161.206	INSULATING SPACER FOR BOILER	
23	140320459	OR ORM 0080-20 IN SILICONE PTFE/FDA		63	148600600	CABLE CLAMP V0 MAGIC ESP COMBI UL	
24	11004667	V5 TUB.BOILER W/ADDIT.RESIST.	230V-1100W	64	11012031	TRANSP.SILICONE TUBE 10,5X12,3 L=170 MM	
25	11002606	BOILER SUPPORT CONNECTOR			11010353	BOILER SMART/RS V3 230V ASSY.	COMPLETE
26	183440800	CABLE 1 WIRE SILIC.BLACK THERM/FUSE 229°					
27	129823802	TCB SCREW M4X8 UNI 7687 ZNP					
28	11010624	TRANSP.SILICONE TUBE 10,5X12,3 L=200 MM					
29	11004550	BLECKMAN RESISTANCE SMART ASSY.	230V				
30	189428300	THERMOSTAT 175° INTERCONTR.161471002					
31	127535319	GALV/STEEL THERMAL FUSE FIXING PLATE					
32	128310404	WASHER UNI 8842 A4 BURNISHED					
33	147755900	HEAT.ELEMENT PROTECTION BLECKMANN SMART					
34	NE05.038	MICROSWITCH					
35	9121.046	SINTERED BUSH FOR MOTOR					
36	148380200	WASHER BAKELIZZATE D=5,5					
37	9121.044	ANTIVIBRATION FOR MOTOR					
38	11003037	MOTOR FOR RATIOMOTOR ASSY.					
39	123453602	FLANGE NUT M8 TOOTHED BASE GALV.					
40	288582300	SENSOR ELECT.BOARD WITH CONNECTOR ASSY.	230V				
41	11009019	TEA/BRASS PISTON L=20,9 ASSY.					



**Saeco** SUP021YBDR  
INTERNATIONAL GROUP

**C E** Cod.740825-26-1000112-2292

POS	CODE	DESCRIPTION	NOTE	POS	CODE	DESCRIPTION	NOTE
01	9141.001	BRASS INCREMENT SCREW MC		27	11003426	BLACK BREW UNIT V3 NEW/SBS SMART	
	11011205	TEA/ZAMA INCREASE SCREW GRINDER				<b>SEE COD. EXP. E90046 NEXT PAGE</b>	
		<b>FROM S/N.9008SA40290195</b>				<b>NOTE:FOR SINGLE PARTS OF OLD GREY BREW UNIT:</b>	
02	149198250	UPPER GRINDER SUPPORT COFFEEGRINDER				<b>SEE ESP.CODE E90041 LAST PAGE</b>	
03	140328960	NBR FDA OR METRIC 0530-15		28	11026355	BLK GROUND COFF.OUTLET CONVEYOR V4 ASSY.	
04	146520100	BAKED CLAY KLAGER GRINDER 48X28		29	128381902	FLAT WASH.DI=4,3 DE=14 SP=1,5 GALV.	
05	127473603	STEEL PIN M4-M6 FOR INCREMENT SCREW		30	129661702	PANELVIT TCB SCREW 3,5X25 D.7505 ZN	
		<b>UP TO S/N.9008SA40290194</b>		31	145854662	COFEGRIND.MOTOR ANTIVIBR.SEAL SMART	
06	129574802	SCREW TCB TORX 20 M4X30 ZN-B		32	227533000	ASSEMBLY BOILER SUPPORT PLATE SMART	230V
		<b>FROM S/N.9008SA40290195</b>			11009360	BOILER SUPPORT PLATE SMART UL ASSY.	120V
07	149199750	UPPER GEAR SUPP. COFFEEGRINDER SMART			11023172	MOUNTING PLATE WITH PIN V2 NESPR.UL ASSY	KOREA
08	149199850	LOWER GEAR SUP. COFFEEGRINDER SMART		33	20000202	SPARES KIT MOTOR COFFEEGRIND./V3 230V	WITH PART. N°16 - 18
09	146002150	COFFEE GRINDIN. ADJUSTMENT GEAR SMART				<b>UP TO S/N 9005SA40362331</b>	
10	129914002	SCREW TCB TORX 10 3,5X16 PLAST.ZN-B		34	11006440	BLACK GRINDER SUPPORT PLATE V3 SMART1	230V
11	149198350	LOWER GRINDER SUPPORT COFFEEGRINDER			11000467	BLACK GRINDER SUPP. PLATE V3 SMART1 UL	120V
12	126772918	SPRING FOR ADJUSTMENT GRINDING GEAR		35		<b>PARTICULAR NOT AVAILABLE</b>	SEE PART.N°61
13	142905450	UPPER BODY WITH COFFE.GROUND OUTLET		36	145854462	GROUND COFFEE CONT.SEAL LOWER SMART1	
14	128381800	CRINKLE WASHER 21,8X15,8X0,2		37	11005343	BLACK FAUCET SUPPORT V2 SMART	
15	123030200	RADIAL BEARING 61900.2RS1		38	12000450	SCREW TCB TORX 10 3,5X12 PLAST.ZN-N	
16		<b>PARTICULAR NOT AVAILABLE</b>	SEE PART. N°33	39	227961303	STRAIGHT CONNECTOR	
		<b>UP TO S/N 9005SA40362331</b>		40	186724200	MICROSWITCH SAIA X3M502K2KAJ32AV	
	226000300	GEAR SX Z=38 ASS.FOR GRINDER MOTION		41	9161.345.050	INT.COVERING BLACK PUMP SPACE	
		<b>FROM S/N 9005SA40362332</b>		42	9161.333.050	BOILER BLACK COVER	
17	20000230	KIT SPARES FOR SENSOR MC/V3 SMART			11009327	BLACK BOILER COVER SMART UL	
		<b>UP TO S/N 9005SA90357734</b>		43	129535721	SCREW TSP3,5X9,5 DIN 7982 SS	
	181540900	ELECTRONIC BOARD WITH SENSOR HAL506		44		<b>PARTICULAR NOT AVAILABLE</b>	SEE PART.N°61
		<b>FROM S/N 9005SA90357735</b>		45	NF11.052	OETIKER CLIP	
18		<b>PARTICULAR NOT AVAILABLE</b>	SEE PART. N°33	46		<b>PARTICULAR NOT AVAILABLE</b>	SEE PART.N°61
		<b>UP TO S/N 9005SA40362331</b>		47		<b>PARTICULAR NOT AVAILABLE</b>	SEE PART.N°61
	11004354	MOTOR COFFEEGRINDER/V3.1 IME ASSY.	230V	48	11002814	ELECTR.BOARD POWER SUP021YBDR/V1	230V
		<b>FROM S/N 9005SA40362332</b>			11007641	POWER BOARD P120/V1 DL	120V
	11004409	MOTOR COFFEEGRINDER/V3.1 IME ASSY.	120V	49	JS01.019	SILIC. TUBE FABRIC FINISH 3X7	IN ROLL
19	149199050	SENSOR SUPPORT FOR COFF.GRIND.MOTOR		50	9161.332.050	EXT.COVERING BLACK PUMP SPACE	
20	123453102	SELF LOCK NUT M4 DIN 982 HIGH GALV.		51	126772018	SPRING DI=7,5 FOR FABRIC FINISH TUB	
		<b>UP TO S/N.9008SA40290194</b>		52		<b>PARTICULAR NOT AVAILABLE</b>	SEE PART.N°61
21	128310402	GALV.WASHER UNI 8842 A4		53		<b>PARTICULAR NOT AVAILABLE</b>	SEE PART.N°61
		<b>FROM S/N.9008SA40290195</b>		54		<b>PARTICULAR NOT AVAILABLE</b>	SEE PART.N°61
22	149214800	CAP FOR WORM SCREW MC/V3 CENTRING		55		<b>PARTICULAR NOT AVAILABLE</b>	SEE PART.N°61
23	144752300	DEADLOCK MOTOR FLANGE SMART1		56	227710904	STEAM KNOB ZAMAS CHROM.PLATED SMART	
24	145854562	COFFEEGRIND.MOTOR SUPP. SEAL SMART1		57	147756400	PROTECTION FAUCET BODY WATER/STEAM	
25	11000516	GENERAL MOTOR ASS.MC/V3.1	230V	58	123030300	AXIAL BEARING EKKO 342.35252	
	11000514	GENERAL MOTOR ASS.MC/V3.1 120V	120V	59	140328059	OR 2015 IN SILICONE PTFE/FDA	
26	140360500	FELT RING 45,4X39,4X4		60	9011.144	SS FORK FOR TUBE D=4	
				61	20007014	KIT AS.RUB.VAP.SMART	COMPLETE



**Saeco**  
INTERNATIONAL GROUP

SUP 021 SBS / INC 001-002



Cod. 11003426

POS	CODICE	DESCRIZIONE	NOTE
01	227470150	AS.PERNO X DOCCIA COMPLETO NERO	
02	NM02.006	OR R5 TERMOIL	
03	11003428	CONTROPISTONE X GRUPPO CAFF' SMART NERO	
04	11000197	PROTEZIONE X SCHIZZI GRUPPO CAFF' SMART	
05	9161.373.050	PIASTRINA AGGANCIAMENTO GRUP. CAF. SMART NERO	
06	9161.064.050	MANICOTTO ENTRATA ACQUA GRUP. CAFF. NERO	
07	NM02.007	OR 2025 TERMOIL	
08	20000440	GRUPPO RICAMBIO MANICOTTO NERO	
09	9161.375.050	PIASTRA POSTERIORE GRUPPO SMART NERO	
10	12000550	VITE TCB 3X25 PLAST. INOX	
11	229452400	AS. GEN. VALV. SAECO BREWING SYSTEM SMART	
12	12000895	VITE TSP 3X10 PLAST. INOX	
13	NM01.044	OR ORM 0320-40 IN SILICONE PTFE/FDA	
14	149198850	SUPPORTO TUBO TEFLON GRUPPO SMART NER	
15	9160.075	AS. DOCCIA DE=35,8 ELFO C/VITE E DADO	
16	11001556	MOLLA RASATORE H=49 X GRUPPO CAF. SMART	
17	11003075	AS. CONT. CAF. C/BOCC. SALD. GRUP. P124 8GR. NER	CON PART. N°24
18	129912521	VITE TCB R 3,5X14 PLAST. INOX	
19	9161.094.050	BLOCCETTO FORATO GRUP. CAFF' PA/NERO	
20	9161.066.050	ALBERO A GOMITO X GRUPPO NERO	
21	11003077	AS. PISTONE INTEGRALE GRUP. P124 8GR. NERO	
22	9161.198	MOLLA PISTONE GRUPPO CAFF' M5000	
23	9161.191	BOCCOLA PISTONE GRUP. CAFF. M5000 NEUTRO	
24	NM02.018	OR METRICO 0090-25 IN TERMOIL	
25	11003078	BIELLA X GRUPPO P124 8GR. NERO	
26	11004161	RASATORE X GRUPPO CAFF' NERO	
27	9161.046	MOLLA X RASATORE GRUPPO	
28	149261350	TRAMOGGIA GRUPPO CAFF' SMART1 NERO	
29	9161.378	MOLLA TRAMOGGIA GRUPPO CAFF' SMART	
30	11005920	PIASTRA ANT. GRUPPO SMART S/F. NER. SER. NEW	
31	12000897	VITE TCB 3,5X20 PLAST. INOX	
32	9161.374.050	PIASTRA FISS. TRAMOG. GRUP. CAF. SMART NERO	
33	U109.027	VITE TCB 2,9X19 LAMIERA INOX	
34	129910921	VITE TCB 3X10 PLAST. INOX	
35	11023086	AS. GEN. PISTONE INTEGR. GRUP. CAF. 8GR. NER.	
36	11003426	GRUPPO CAFF' V3 SMART/NEW/SBS NERO	

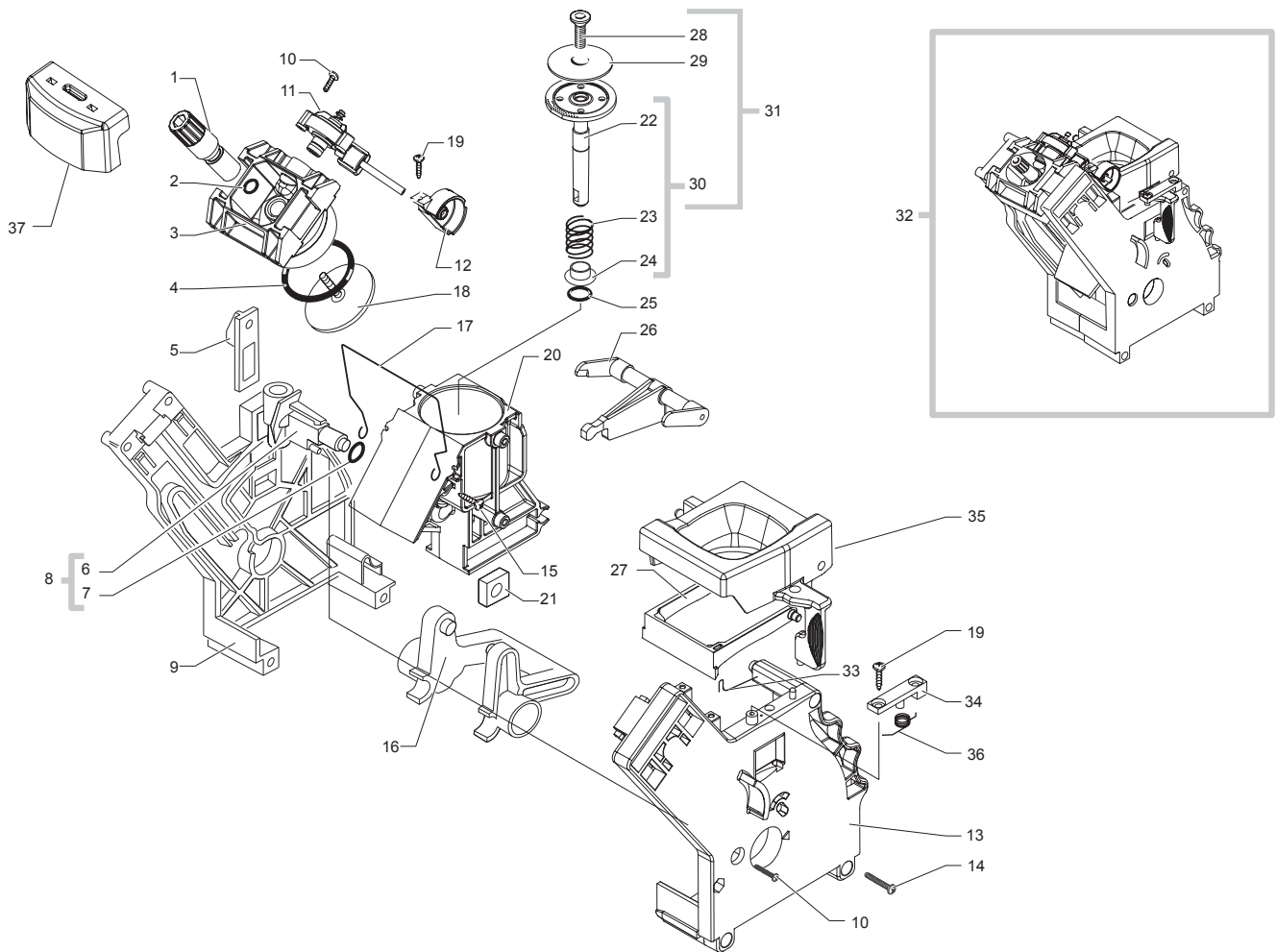
POS	CODE	DESCRIPTION	NOTE
01	227470150	PIN BLACK ASS. FOR PERCOLATOR	
02	NM02.006	OR R5 TERMOIL	
03	11003428	BLACK COUNTERPISTON FOR SMART COF. UNIT	
04	11000197	PROTECTION FOR BREW UNIT SMART	
05	9161.373.050	BLACK COUPLING PLATE BREW UNIT SMART	
06	9161.064.050	BLACK WATER INLET SLEEVE BREW UNIT	
07	NM02.007	OR 2025 TERMOIL	
08	20000440	BLACK SPARE SLEEVE UNIT	
09	9161.375.050	BLACK REAR PLATE FOR BREW UNIT SMART	
10	12000550	SCREW TCB TORX 10 3X25 PLAST. SS	
11	229452400	SAECO BREWING SYSTEM VALVE SMART ASSY.	
12	12000895	SCREW TSP TORX 10 3X10 PLAST. SS	
13	NM01.044	OR ORM 0320-40 IN SILICONE PTFE/FDA	
14	149198850	BLACK SUPPORT TEFL. TUBE BREW UNIT SMART	
15	9160.075	PERCOLATOR DE=35,8 ELFO ASSY.	
16	11001556	SPRING H=49 FOR COFFEE BREW UNIT SMART	
17	11003075	BLACK COFFEE CONTAINER BREW UNIT P124	WITH PART. N°24
18	129912521	SCREW TCB TORX 10 3,5X14 PLAST. SS	
19	9161.094.050	BLACK DRILLED BLOCK BREW UNIT	
20	9161.066.050	ELBOW SHAFT FOR UNIT BLACK	
21	11003077	BLACK INTEGRAL PISTON UNIT P124 8GR. ASS	
22	9161.198	PISTON SPRING BREW UNIT M5000	
23	9161.191	NEUTRAL PISTON BUSH BREW UNIT M5000	
24	NM02.018	OR ORM 0090-25 TERMOIL	
25	11003078	BLACK CONNECTING ROD FOR UNIT P124 8GR.	
26	11004161	BLACK SCRAPER FOR COFFEE UNIT	
27	9161.046	SPRING FOR UNIT SCRAPER	
28	149261350	BLACK HOPPER DOSER BREW UNIT SMART1	
29	9161.378	SPRING HOPPER SMART BREW UNIT	
30	11005920	BLACK FRONT PLATE BREW UNIT SMART S. SCR.	
31	12000897	SCREW TCB TORX 10 3,5X20 PLAST. SS	
32	9161.374.050	BLACK HOPPER BLOCKING PLATE UNIT SMART	
33	U109.027	SCREW TCB TORX 10 2,9X19 SHEET SS	
34	129910921	SCREW TCB TORX 10 3X10 SS	
35	11023086	BLK 8GR. BREW UNIT NTEGR. PISTON GEN. ASSY.	
36	11003426	BLACK BREW UNIT V3 NEW/SBS SMART	

**Saeco**  
INTERNATIONAL GROUP

GRUPPO CAFF' SMART V3 NEW SBS NERO

Rev. 03 - 23/11/09

TAVOLA 1/1



**Saeco**  
INTERNATIONAL GROUP

## GRUPPO CAFFE' 2 DOSI PER SUP 021 SBS



Cod. 225802550-2650

POS	CODICE	DESCRIZIONE	NOTE
01	227470150	AS.PERNO X DOCCIA COMPLETO NERO	
02	NM02.006	OR R5 TERMOIL	
03	142990150	CONTROPISTONE GRUPPO SMART1 NERO	
04	140329262	OR METRICO 0380-40 IN SILICONE	
05	9161.373.050	PIASTRINA AGGANCIO GRUPPO SMART NERA	
06	9161.064.050	MANICOTTO ENTRATA ACQUA NERO	
07	NM02.007	OR 2025 TERMOIL	
08	0301.R04.150	GRUPPO RICAMBIO MANICOTTO GRIGIO	
09	9161.375.050	PIASTRA POSTERIORE GRUPPO SMART NERA	
10	U109.027	VITE AUT.TCB 2,9X19 DIN 7981 C INOX	
11	229452400	AS.VALVOLA SAECO BREWING SYSTEM SMART	
12	149198859	SUPPORTO TUBO TEFLON GRUPPO SMART GRI	
13	227532950	PIASTRA ANT.GRUPPO SMART S/FORO NER.SER	
14	U109.026	VITE AUT.TCB 3,5X19 DIN 7981 C INOX	
15	U109.013	VITE AUT.TCB 3,5X13 DIN 7981 C NIK	
16	9161.066.050	ALBERO A GOMITO X GRUPPO NERO	
17	11001556	MOLLA RASATORE H=49 X GRUPPO CAF.SMART	
18	11009162	DOCCIA D=35,8 276FORI C/VITE M3x20 LUCID	
19	U109.028	VITE AUT.TCB 2,9X9,5 DIN 7981 C INOX	
20	11001695	AS.CONTEN.CAFFE' GRUPPO SMART1 NEW NER	
21	9161.094.050	BLOCCETTO FORATO X GRUPPO NERO	
22	227660950	AS.PISTONE C/INS.M3 X GRUPPO SMART1 NERO	
23	126773318	MOLLA X PISTONE GRUPPO SMART1	
24	9161.191	BOCCOLA X PISTONE NEUTRO	
25	140329361	OR METRICO 0100-25 IN TERMOIL	
26	141600750	BIELLA X GRUPPO SMART1 NERA	
27	147990150	RASATORE X GRUPPO SMART1 NERO	
28	129852821	VITE TSP M3X14 UNI 7688 INOX	
29	9161.167	DOCCIA D.35,8	
30	11002849	AS.PIST.C/DOCCIA S/MOLLA GRUP.SMART1 NER	
31	227680150	AS.PIST.C/DOCCIA C/MOLLA GRUP.SMART1 NER	
32	225802550	GRUPPO CAFFE' SMART1/SBS S/FORO NERO	
33	225802650	GRUPPO CAF.SMART1/SBS/ELFO S/FORO NERO	① ALTRI PAESI
34	9161.046	MOLLA X RASATORE GRUPPO	
35	149261350	TRAMOGGIA X GRUPPO CAFFE' SMART1 NERA	
36	9161.374.050	PIASTRA FISSAG.TRAMOGG.GRUPPO SMART NERA	
37	11000197	PROTEZIONE X SCHIZZI GRUPPO CAFFE' SMART	

POS	CODE	DESCRIPTION	NOTE
01	227470150	PIN BLACK ASS.FOR PERCOLATOR	
02	NM02.006	OR R5 TERMOIL	
03	142990150	BLACK COUNTER PISTON BREW UNIT SMART	
04	140329262	OR METRIC 0380-40 IN SILICONE	
05	9161.373.050	BLACK COUPLING PLATE BREW UNIT SMART	
06	9161.064.050	WATER INLET SLEEVE BLACK	
07	NM02.007	OR 2025 TERMOIL	
08	0301.R04.150	SPARE SLEEVE UNIT GREY	
09	9161.375.050	BLACK REAR PLATE FOR BREW UNIT SMART	
10	U109.027	SS.SCREW AUT.TCB 2,9X19 DIN 7981 C	
11	229452400	SAECO BREWING SYSTEM VALVE SMART ASSY	
12	149198859	SUPPORT FOR TEFLON TUBE BREW UNIT	
13	227532950	FRONT PLATE FOR BREW UNIT SMART	
14	U109.026	SS.SCREW AUT.TCB 3,5X19 DIN 7981 C	
15	U109.013	screw AUT.TCB 3,5X13 DIN 7981 C	
16	9161.066.050	ELBOW SHAFT FOR UNIT BLACK	
17	11001556	SPRING H=49 FOR COFFEE BREW UNIT SMART	
18	11009162	SHINE PERCOL.D=35,8 276HOL.VW/SCREW M3x20	
19	U109.028	SCREW AUT.TCB 2,9X9,5 DIN 7981 C	
20	11001695	AS.CONTEN.CAFFE' GRUPPO SMART1 NEW NER	
21	9161.094.050	DRILLED BLACK BLOCK FOR UNIT	
22	227660950	BLACK PISTON ASSy.FOR BREW UNIT SMART1	
23	126773318	SPRING FOR PISTON BREW UNIT SMART	
24	9161.191	BUSH FOR PISTON NEUTRAL	
25	140329361	OR METRIC 0100-25 IN TERMOIL	
26	141600750	CONNECTING ROD FOR DISPENSER UNIT	
27	147990150	SCRAPER FOR BREW UNIT SMART	
28	129852821	TSP SCREW M3X14 UNI 7688 SS	
29	9161.167	PERCOLATOR D.35,8	
30	11002849	BLACK PISTON FOR BREW UNIT SMART1 ASSY.	
31	227680150	BLACK PISTON FOR BREW UNIT SMART1 ASSY.	
32	225802550	BREW UNIT WITH VALVE SMART	
33	225802650	BREW UNIT W/VALVE SMART/ELFO	① OTHER COUNTRY
34	9161.046	SPRING FOR UNIT SCRAPER	
35	149261350	BLACK HOPPER BLOCKING PLATE UNIT SMART	
36	9161.374.050	BLACK HOPPER DOSER BREW UNIT SMART1	
37	11000197	PROTECTION FOR BREW UNIT SMART	

**Saeco**  
INTERNATIONAL GROUP

## GRUPPO CAFFE' SMART SBS S/FORO NERO

Rev. 04 - 14/09/07

TAVOLA 1/1