

Saeco SUP 021 YO
INTERNATIONAL GROUP



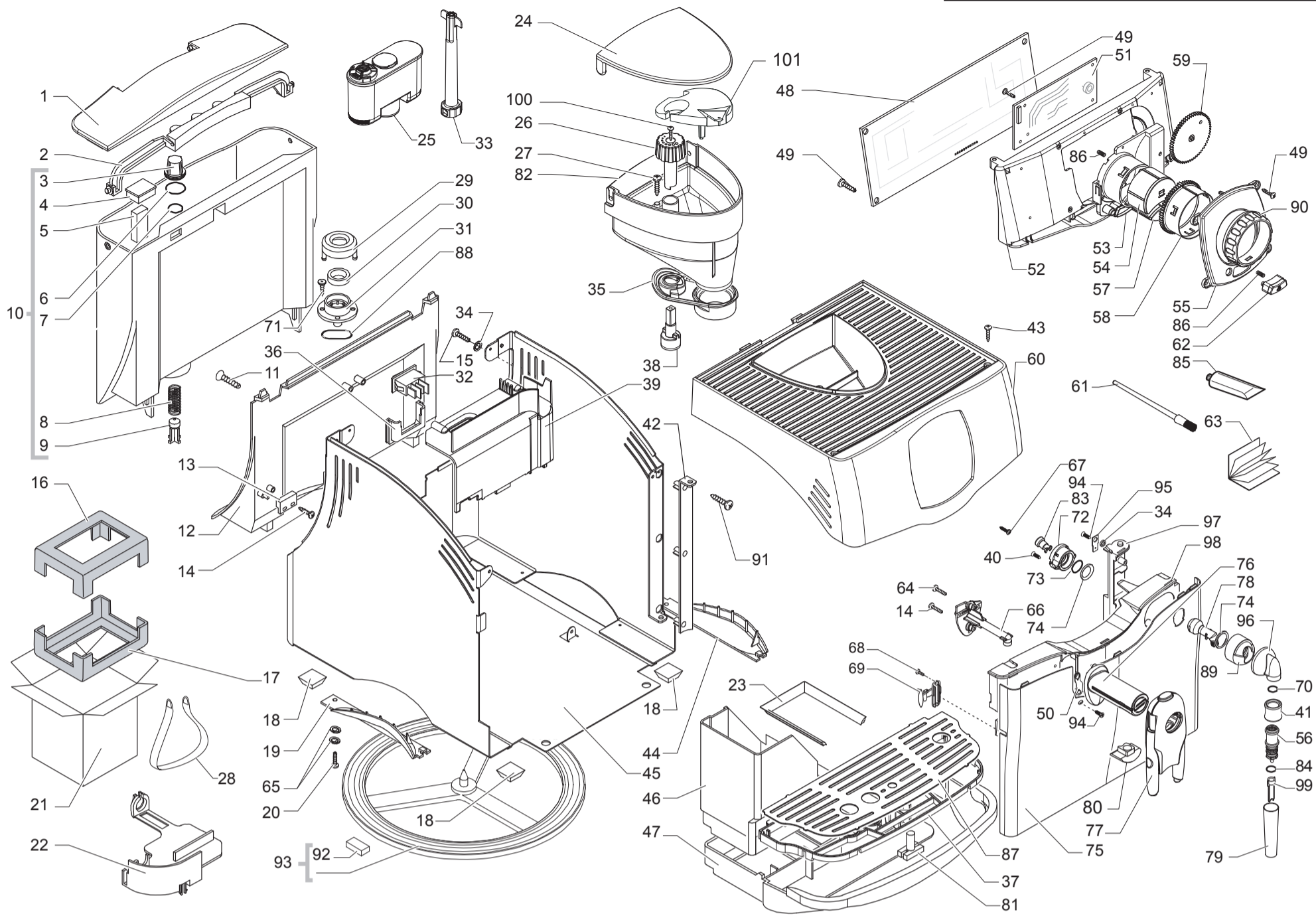
Cod. 7 4 08 19 - 20

POS	CODE	DESCRIPTION	NOTE	POS	CODE	DESCRIPTION	NOTE
01	142816500	WATER CONTAINER LID SMART NATURAL/GREY		40	129571521	SCREW TCB PH/SW 3X18 UNI 8112 INOX	
02	146580950	BLACK KNOB WATER CONTAINER LID SMAR		41	147757050	STEAM TUBE PROTECTION	
03	144650800	WATER TANK FILTER		42	226481450	DOOR HINGE KIT SMART BLACK	UP TO S/N 9005SA40022836
04	149214359	BLACK CAP FOR FLOATING SPACE LAV.			222630550	DOOR HINGE SMART BLACK	FROM S/N 9005SA40022837
05	9161.112.150	LEVEL FLOAT GREY		43	U143.018	screw TORX TCB 3,5X16 F TIP BL	
06	140328461	EPDM OR METRIC 0019-10		44	225920108	HANGRIP DX SMART CHROMED	
07	140324362	OR METRIC 0060-30 IN SILICONE		45	222360450	CASING WITH KNOB SMART BLACK	
08	126764718	SPRING FOR WATER CONTAINER VALVE		46	11005555	BLACK DUMP BOX SMART SILK/SCREEN	
09	147660562	GREY PISTON FOR WATER VALVE		47	229630850	BLACK DRIP TRAY SMART	230V
10	222693500	WATER CONTAINER AS.SMART NATUR/GREY			229630852	BLACK DRIP TRAY SMART/UL	120V
11	12000381	SCREW TSP PZ2/TT M3X8 UNI 8109 ZINC		48	11002811	CPU/POWER ELECTR.BOARD RONDO'/V1	230V
12	149194650	SUPPORT WATER CONTAINER W/O LAMP HOUSING			181556255	CPU/POWER ELECTR.BOARD RONDO'	120V
13	283551900	2 POLE LEVEL SENSOR AS.SMART	230V	49	129661302	PANELVIT TCB SCREW 3X8 DIN 7505 ZNP	
	283551955	2 POLE LEVEL SENSOR AS.SMART	120V	50	127535820	PLATE FOR DOOR METALLIC SMART	
14	129910921	HI-LO TC SCREW 3X10 STEEL		51	181555700	TOUCH PANEL ELECTRONIC BOARD RONDO'	
15	129661204	SCREW PANELVIT TCB 3X16 DIN7505 BRU		52	149201250	BLACK SUPPORT ELECTRONIC CARD RONDO'	230V
16	175898600	UPPER TECHMATE INSERT FOR BOX SMART1			149201252	BLACK SUPPORT ELECTRONIC CARD RONDO'	120V
17	175897300	LOWER TECHMATE INSERT FOR BOX SMART		53	149201350	SUPPORT FOR BUTTONS RONDO' BLACK	
18	147623150	SQUARE ADHESIVE FOOT 5023 BLACK		54	149252350	BLACK BUTTON FOR ONE COFFEE	
19	225920208	HANGRIP SX SMART CHROMED		55	224885350	FRONT PANEL BLACK RONDO' SILK/SCREEN	
20	129511803	SCREW TCB 2,9X6,4 DIN 7981 NICK		56	222270249	UPPER TUBE ASS.FOR PANNARELLO	
21	178517600	DISPLAY BOX SAECO INCANTO S-CLASS		57	149252450	BLACK BUTTON FOR TWO COFFEE	
22	148601650	GROMMET FOR POWER CABLE SMART		58	149201450	BLACK SUPPORT FOR RING NUT RONDO'	
23	229170450	SEALING SUPPORT AS.WATER DRIP TRAY		59	146002200	POTENTIOMETER GEAR Z=58 RONDO'	
24	142815800	BEAN COFF.CONT.LID SMART NATUR/GREY		60	222813150	COVER RONDO' BLACK W.O/OPEN S/SCREEN	
25	223070200	CONFECTION SAECO AQUA PRIMA		61	127390100	BRUSH FOR CLEANING	
26	227721800	GRIND.ADJUST.NATGREY KNOB SMART S/S		62	149252550	BLACK BUTTON FOR STEAM RONDO'	
27	U142.005	PANELVIT TSP 4,5X16 DIN 7505 A GAL		63	165896400	INSTRUCT.MANUAL SAECO TYPE SUP021YO	7 LANGUAGES
28	179990300	BAND FOR LIFTING L=1550 H=300 MM			165896417	INSTRUCT.MANUAL SAECO TYPE SUP021YO	GB/F/E
29	0701.031.150	SEAL COVER GREY			165896427	INSTRUCT.MANUAL SAECO TYPE SUP021YO	D/F/I
30	145842900	WATER CONTAIN.VALVE SEAL GACO DIM14		64	129571121	SCREW TCB PH/SW 3X14 UNI 8112 INOX	
31	0701.014.150	SEAL CONTAINER GREY		65	U207.003	PLAIN WASHER 3,2X7 UNI 6592 GAL	
32	NE03.038	BIPOLAR SWITCH FUSIT C1250AR		66	149501250	COFFE.DISPENSER TUBE BLACK SMART V2	
33	145902250	INSERT FOR DECALCIFYING FILTER		67	129660902	PANELVIT TCB SCREW 3,5X12 D.7505 Z	
34	128310321	WASHER UNI 8842 A3 SS		68	129670302	PANE.TCB SCREW 2,9X9,5 TES.D=7,5 ZN	
35	145854760	BEAN COFFEE CONTAINER SEAL SMART		69	146313740	DISENGAGE LEVER GREY/SILVER DOOR SMART	
36	149202550	SWITCH GENERAL SUPPORT BLACK SMART		70	140324461	OR METRIC 0060-20 IN TERMOIL	
37	229183750	BLACK SUPPORT GRATE METAL SMART	230V	71	129535721	SCREW TSP3,5X9,5 DIN 7982 SS	
	229183752	BLACK SUPPORT GRATE METAL SMART/UL	120V	72	149200450	SUPPORT FOR ARTICULATED JOINT	
38	145897300	INSERT GRINDING ADJUSTM.KNOB SMART		73	140329162	OR 117 IN SILICONE 70 SH	
39	147755800	INT.CASING PROTECTION POWER CABLE		74	148620900	SEMISPHERE SEAL FOR ARTICULAT.JOINT	

Saeco
INTERNATIONAL GROUP

INCANTO RONDO'

TABLE 1a/3

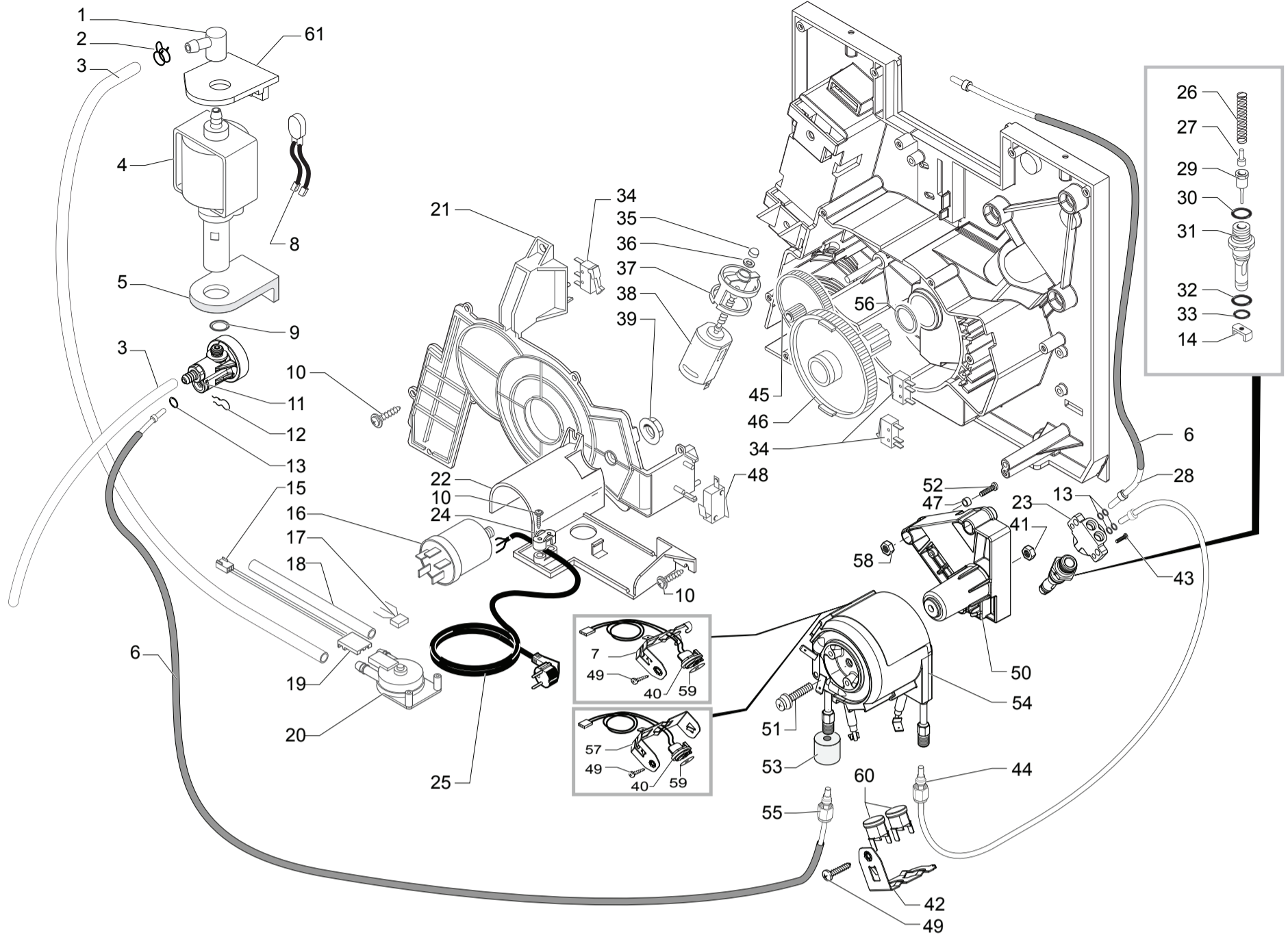


Saeco SUP 021 YO
INTERNATIONAL GROUP



Cod. 7 4 08 19 - 20

POS	CODE	DESCRIPTION	NOTE	POS	CODE	DESCRIPTION	NOTE
75	228982950	DOOR METALL SMART BLACK					
76	229184604	COFFEE DISPENSER SUPPORT WITH LOGO					
77	223700950	BLACK COFFEE DISPENSER AS.SMART/DIG.					
78	147922249	CONNECTOR FOR ARTICULATED JOINT					
79	122842121	EXTERNAL COVER ST.STEEL PANNAR.G100					
80	145853462	SEAL FOR COFFEE DISPENSER V2 SMART					
81	145501211	RED FLOAT FOR DRIP TRAY SMART					
82	142714100	NATURAL/GREY BEAN CONTAINER SMART					
83	145896949	RETAINING INSERT TEFLON TUBE					
84	140320762	OR 108 IN SILICONE					
85	11005044	SAECO KLUBER TRIBOSTAR SIL 2 TUBE 5GR.					
86	126773418	SPRING FOR BUTTON RONDO'					
87	125743421	STAINLESS STEEL GRATE SMART					
88	140320461	SEAL FOR VALVE CONTAINER					
89	228660204	CONNECTOR FOR STEAM TUBE					
90	225110704	CHROME RING NUT FOR RONDO'					
91	129740202	SCREW TSP PH/TT 4X10 UNI 8113 ZNP	WITH DOOR HINGE V2				
	129511921	SCREW TCB 2,9X6,4 DIN 7981 BZ SS	WITH DOOR HINGE V3 - KIT				
		FROM S/N 9005SA40022837					
92	9991.096	ADHESIVE FOOT 8X15X3,2					
93	220380259	ROTATING RING SMART WITH 3 FEET					
94	129562603	SCREW TSC PZ-B 2,9X9,5 UNI 6956 NI					
95	186401000	FLAT TABS 6,3 D=4,5 0010364200					
96	228660304	CONNECTOR FOR STEAM TUBE					
97	229183550	SUPPOR.HINGE DOOR METAL.SMART BLACK	230V				
	229183552	SUPPOR.HINGE DOOR METAL.SMART BLACK	120V				
98	229183150	SUPPORT DOOR METALLIC SMART BLACK	230V				
	229183152	SUPPORT DOOR METALLIC SMART BLACK	120V				
99	4301018000	LOWER INTERNAL PIPE					
100	129512504	SCREW TCB 2,9X9,5 DIN 7981 BURN					
101	147757800	BEAN CONT.PROTECT.SMART NATUR/GREY					

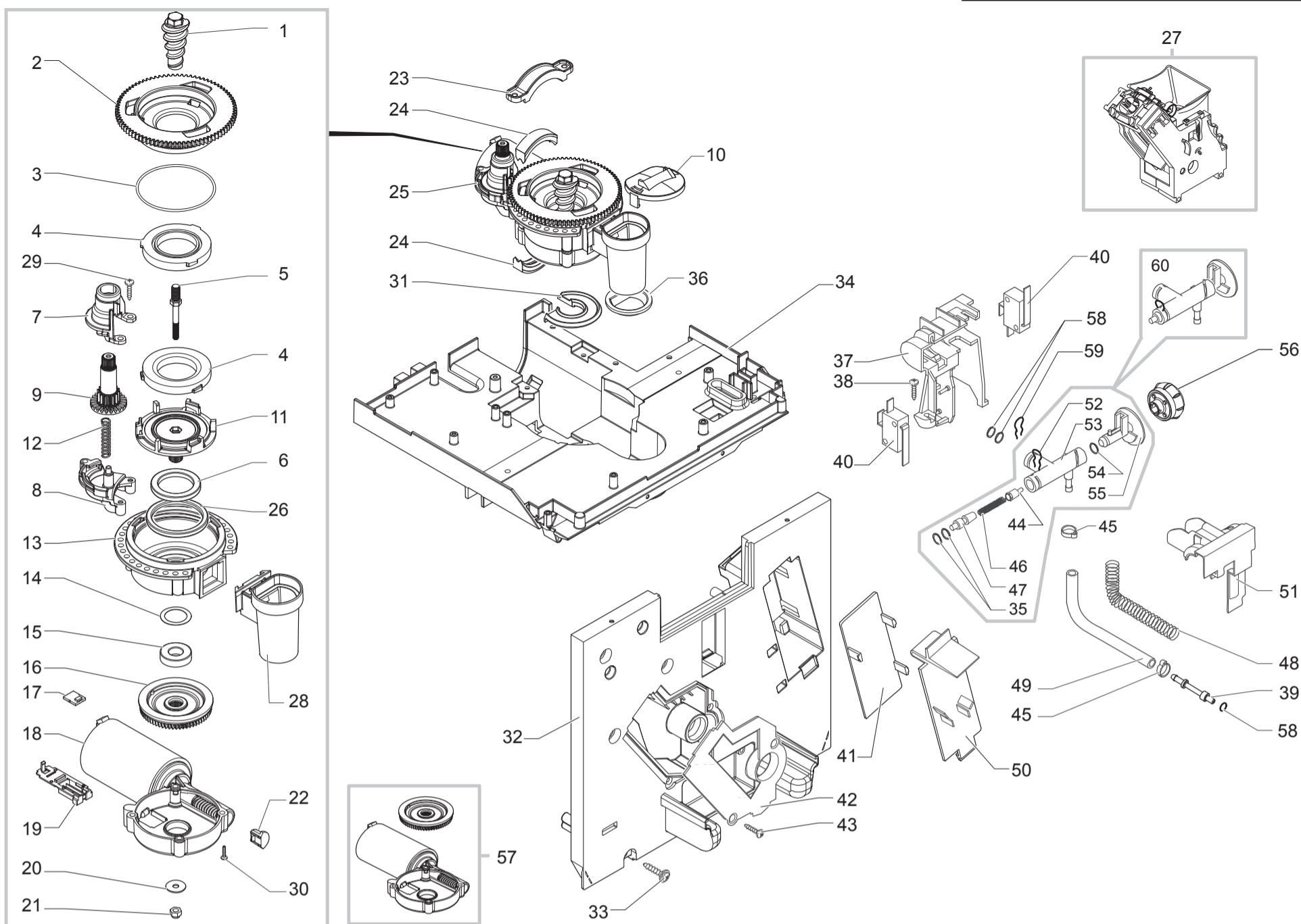


Saeco SUP 021 YO
INTERNATIONAL GROUP



Cod. 7 4 08 19 - 20

POS	CODE	DESCRIPTION	NOTE	POS	CODE	DESCRIPTION	NOTE
01	147920150	90° CONNECTOR PUMP INLET		36	148380200	WASHER BAKELIZZATE D=5,5	
02	184320200	SPRING HOSE CLAMP D=9,5MM		37	9121.044	ANTIVIBRATION FOR MOTOR	
03	149360200	SILICONE TUBE 5X8 70SR	IN ROLL	38	11003037	MOTOR FOR RATIOMOTOR ASSY.	
04	12000140	ULKA PUMP EP5/S GW	230V-50HZ	39	123453602	FLANGE NUT M8 TOOTHED BASE GALV.	
	12000131	ULKA PUMP EP5/S	120V-60HZ	40	288582300	SENSOR ELECT.BOARD WITH CONNECTOR	
05	149185850	EATON PUMP SUPPORT MAGIC 4002012		41	123453902	SELF-LOCKI.NUT M5X0,8 DIN 980 CLA.8	
06	149361200	BLACK SILICON TUBE 7,5X9,3	IN ROLL	42	126838117	2 THERMOSTATS FIXING SPRING	
07	126838217	SENSOR FIXING SPRING	FROM S/N 9004SA4010795	43	129910103	HI -LO TC SCREW 3,5X15 RIF.910189	
08	289204358	THERMAL PROTECTOR 120°C CAB.115/450	230V	44	227876800	CONNECTOR AS.TEFLON 2X4 L=235 MM	
	289204355	THERMAL PROTECTOR 120°C CAB.115/450	120V	45	9121.042	GEAR Z.12/90	
09	140321961	OR 2031 IN TERMOIL		46	9121.069.150	GEAR Z.108 FOR MOUNTING PLATE M4000	
10	129914002	SCREW TCB TORX 10 3,5X16 PLAST.ZN-B		47	9161.206	INSULATING SPACER FOR BOILER	
11	229452100	COMPENSATION AND SAFETY VALVE ASSY		48	186723800	MICROSWITCH SAIA X3M502K2KAM92AS	
12	9011.144	FORK FOR TUBE D.4		49	129573202	SCREW TCB PH/TT 4X8 UNI 8112 ZNP	
13	140328059	OR 2015 IN SILICONE PTFE/FDA		50	20000204	SPARES KIT SUPPORT BOILER SMART	UP TO S/N 9005SA40220029
14	11005099	NATURAL CURSOR V2 FOR BOILER P119			149197700	SUPPORT FOR ALLUMINIUM BOILER SMART	FROM S/N 9005SA40220030
15	283551300	3POLE CONNECT.AS.TURBINE JP18 SMART		51	129932202	ROUND HEAD SCREW 10.9 M5X20 GALVANIZED	
16	184651100	ANTIDISTURB FILTER 0,47X2+1000Y2+0,5L	230V	52	U044.020	SCREW TSP M5,0X30 UNI 7688 GALVANIZED	UP TO S/N 9005SA40220029
	184651500	ANTIDISTURB FILTER 16A FNC 1610474472A	120V		129932502	SELF DRILLING SCREW 5X30 GALVANIZED	FROM S/N 9005SA40220030
		PARTICULAR NOT AVAILABLE	SEE PART. N°20	53	147756562	PROTECTION FOR FOLK SPRING TUBE D=4	
18	JS01.022	SILICONE TUBE 5X10 60 SHORE	IN ROLL	54	282058858	ALUM.BOILER 230V AS.WITH RESISTANCE	230V
19	9161.018	FORK FOR WATERWHEEL			282058855	ALUM.BOILER 120V AS.WITH RESISTANCE	120V
20	286473300	-M-VDE TURBINE WITH SENSOR KIT	WITH PART. N°17	55	227874900	CONNECTOR AS.TEFLON 2X4 L=250 MM	
21	9161.331.920	RATIOMOTOR COVER TRANSPARENT		56	9161.132	MYLAR WASHER FOR RATIOMOTOR	
22	149194800	TURBINE SUPPORT SMART		57	126838017	SENSOR FIXING SPRING	UP TO S/N 9004SA4010794
23	147922700	BOILER SUPPORT CONNECTOR		58	U310.003	NUT SELF LOCK.M5 UNI 7473	FROM S/N 9005SA40220029
24	148600600	CABLE CLAMP V0 MAGIC ESP COMBI UL		59	145951600	ELECTRIC INSULATING DISK D=16	
25	NE01.120	BLACK POWER CABLE SCHUKO L=1500		60	189428200	THERMOSTAT 175° 1NT-08L-3794	230V
	NE01.118	BLACK POWER CABLE CH L=1500MM			189428600	THERMOSTAT 175° 1NT-08L-5125	120V
	NE01.114	POWER CABLE AUSTRALIA		61	149205710	PUMP SUPPORT HOLE 13,2 RED	
	183922450	P.CABLE SJT 16AWG USA BLACK L=1500			289435200	GENERAL TURBINE FOR SMART ASSY.	
26	9011.132	SPRING FOR PIN			282135458	ALUM.BOILER 230V AS.WITH RESISTANCE	COMPLETE
27	11009013	TEA/BRASS PIN FOR PISTON L=10			282135455	ALUM.BOILER 120V AS.WITH RESISTANCE	COMPLETE
28	227874800	CONNECTOR AS.TEFLON 2X4 L=480 MM				WITH PART. N° 7-13-14-23-26-27-28-29-30-31-32	
29	11009019	TEA/BRASS PISTON L=20,9 ASSY.				33-40-41-42-43-44-49-50-51-53-54-55-57-58-59-60	
30	140320459	OR METRICO 0080-20 SILICON.PTFE/FDA					
31	9011.100	PEG FOR VALVE IN PLASTIC					
32	NM01.035	OR ORM 0090-20 SILICONE					
33	NM01.057	OR ORM 0050-20 SILICONE					
34	NE05.038	MICROSWITCH					
35	9121.046	SINTERED BUSH FOR MOTOR					

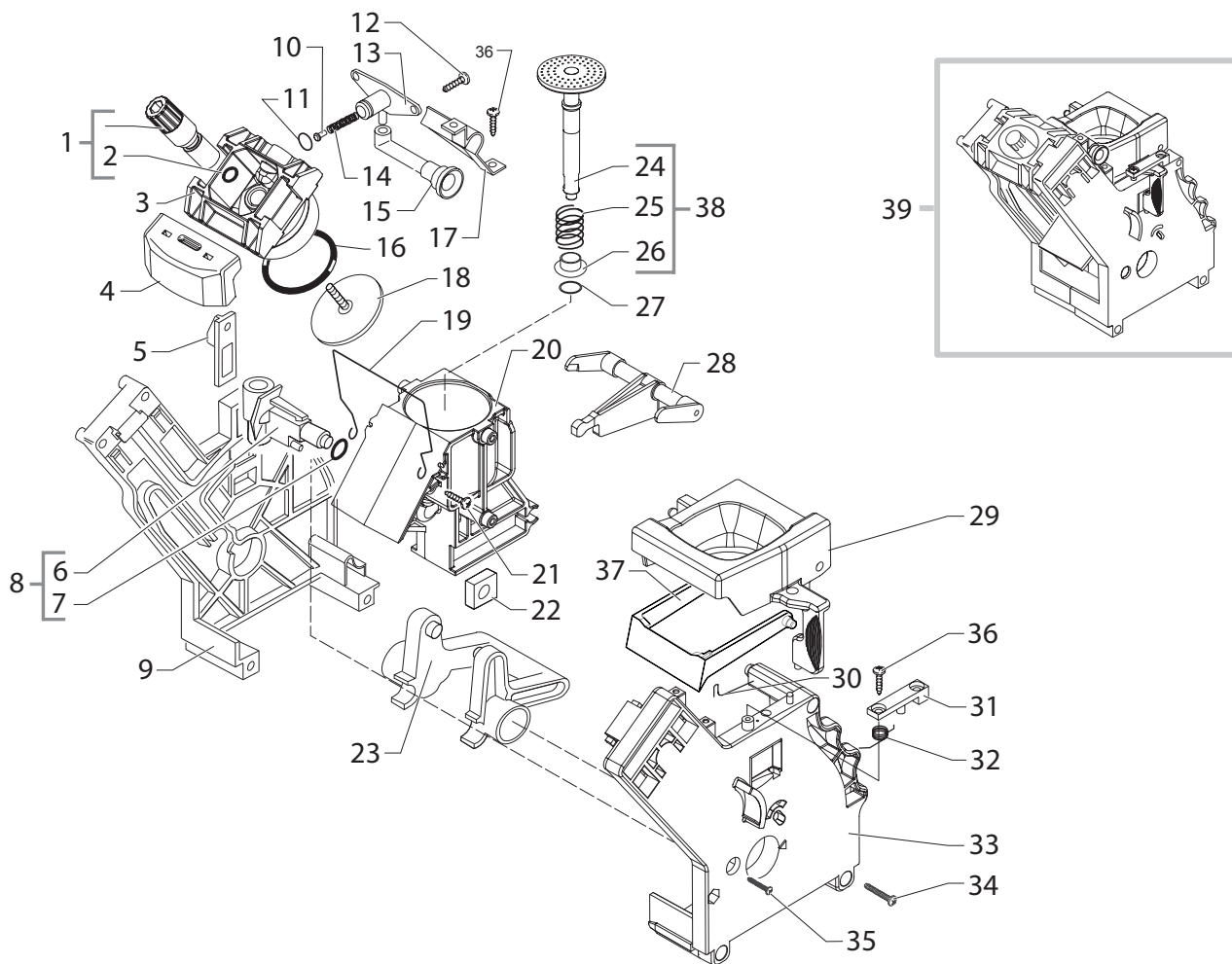


Saeco SUP 021 YO
INTERNATIONAL GROUP



Cod. 7 4 08 19 - 20

POS	CODE	DESCRIPTION	NOTE	POS	CODE	DESCRIPTION	NOTE
01	9141.001	SCREW OF INCREMENT		29	129914002	SCREW TCB TORX 10 3,5X16 PLAST.ZN-B	
02	149198250	UPPER GRINDER SUPPORT COFFEEGRINDER		30	129661702	PANELVIT TCB SCREW 3,5X25 D.7505 ZN	
03	140328960	NBR FDA OR METRIC 0530-15		31	145854662	COFEGRIND.MOTOR ANTIVIBR.SEAL SMART	
04	146520100	BAKED CLAY KLAGER GRINDER 48X28		32	227533000	ASSEMBLY BOILER SUPPORT PLATE SMART	
05	127473603	PIN M4-M6 NICK.FOR INCREMENT SCREW		33	129670202	PANELVIT TCB SCREW 3,5X16 TESTA D=8 Z	
06	123030300	AXIAL BEARING EKKO 342.35252		34	11006440	BLACK GRINDER SUPPORT PLATE V3 SMART1	
07	149199750	UPPER GEAR SUPPORT COFFEEGRINDER SMART		35		PARTICULAR NOT AVAILABLE	SEE PART.N°60
08	149199850	LOWER GEAR SUPPORT COFFEEGRINDER SMART		36	145854462	GROUND COFFEE CONT.SEAL LOWER SMART1	
09	146002150	COFFEE GRINDING ADJUSTMENT GEAR SMART		37	11005343	BLACK FAUCET SUPPORT V2 SMART	
10	142816950	LID GROUND COFFEE OUTLET CONVEYOR		38	129660902	PANELVIT TCB SCREW 3,5X12 D.7505 Z	
11	149198350	LOWER GRINDER SUPPORT COFFEEGRINDER		39	227961303	STRAIGHT CONNECTOR	
12	126772918	SPRING FOR ADJUSTMENT GRINDING GEAR		40	186724200	MICROSWITCH SAIA X3M502K2KAJ32AV	
13	142905450	UPPER BODY WITH COFFE.GROUND OUTLET		41	9161.345.050	INT.COVERING BLACK PUMP SPACE	
14	128381800	CRINKLE WASHER 21,8X15,8X0,2		42	9161.333.050	BOILER BLACK COVER	
15	123030200	RADIAL BEARING 61900.2RS1		43	129535721	SCREW TSP3,5X9,5 DIN 7982 SS	
16		PARTICULAR NOT AVAILABLE	SEE PART. N°57	44		PARTICULAR NOT AVAILABLE	SEE PART.N°60
		UP TO S/N 9005SA40384923		45	NF11.052	OETIKER CLIP	
	226000300	GEAR SX Z=38 ASS.FOR GRINDER MOTION		46		PARTICULAR NOT AVAILABLE	SEE PART.N°60
		FROM S/N 9005SA40384924		47		PARTICULAR NOT AVAILABLE	SEE PART.N°60
17	20000230	KIT SPARES FOR SENSOR MC/V3 SMART 230V		48	126772018	SPRING DI=7,5 FOR FABRIC FINISH TUB	
		UP TO S/N 9005SA90357734		49	JS01.019	SILIC. TUBE FABRIC FINISH 3X7	IN ROLL
	181540900	ELECTRONIC BOARD WITH SENSOR HAL506		50	9161.332.050	EXT.COVERING BLACK PUMP SPACE	
		FROM S/N 9005SA90357735		51	147756400	PROTECTION FAUCET BODY WATER/STEAM	
18		PARTICULAR NOT AVAILABLE	SEE PART. N°57	52		PARTICULAR NOT AVAILABLE	SEE PART.N°60
		UP TO S/N 9005SA40384923		53		PARTICULAR NOT AVAILABLE	SEE PART.N°60
	11004354	MOTOR COFFEEGRINDER/V3.1 IME ASSY.	230V	54		PARTICULAR NOT AVAILABLE	SEE PART.N°60
		FROM S/N 9005SA40384924 - ONLY 230V		55		PARTICULAR NOT AVAILABLE	SEE PART.N°60
	11004409	MOTOR COFFEEGRINDER/V3.1 IME ASSY.	120V	56	227710904	STEAM KNOB ZAMAS CHROM.PLATED SMART	
		FROM S/N 9005SA40384924 - ONLY 120V		57	20000202	SPARES KIT MOTOR COFFEEGRINDER/V3 230V	WITH PART. N°16 , 18
19	149199050	SENSOR SUPPORT FOR COFF.GRIND.MOTOR			20000410	SPARES KIT MOTOR COFFEEGRINDER/V3 120V	WITH PART. N°16 , 18
20	128381902	FLAT WASH.DI=4,3 DE=14 SP=1,5 GALV.				UP TO S/N 9005SA40384923 - ONLY 230V	
21	123453102	SELF LOCK NUT M4 DIN 982 HIGH GALV.				UP TO S/N 9005SA40384923 - ONLY 120V	
22	149214800	CAP FOR WORM SCREW MC/V3 CENTRING		58	140328059	OR 2015 IN SILICONE PTFE/FDA	
23	144752300	DEADLOCK MOTOR FLANGE SMART1		59	9011.144	FORK FOR TUBE D.4	
24	145854562	COFFEEGRIND.MOTOR SUPPORT SEAL SMART1		60	20007014	KIT STEAM FAUCET SMART ASSY.	COMPLETE
25	11000516	GENERAL MOTOR ASS.MC/V3.1	230V				
	11000514	GENERAL MOTOR ASS.MC/V3.1	120V				
26	140360500	FELT RING 45,4X39,4X4					
27	11003427	BLACK BREW UNIT V3 NEW SMART					
		SEE COD. EXP. E90047 NEXT PAGE					
28	11026355	BLK GROUND COFF.OUTLET CONVEYOR V4 ASSY.					



Saeco SUP 021
INTERNATIONAL GROUP



Cod. 11003427

POS	CODICE	DESCRIZIONE	NOTE
01	227470150	AS.PERNO X DOCCIA COMPLETO NERO	
02	NM02.006	OR R5 TERMOIL	
03	11003428	CONTROPISTONE X GRUPPO CAFF.SMART NERO	
04	11000197	PROTEZIONE X SCHIZZI GRUPPO CAFFE' SMART	
05	9161.373.050	PIASTRINA AGGANCIO GRUP.CAF.SMART NERO	
06	9161.064.050	MANICOTTO ENTRATA ACQUA GRUP.CAFF.NERO	
07	NM02.007	OR 2025 TERMOIL	
08	20000440	GRUPPO RICAMBIO MANICOTTO NERO	
09	9161.375.050	PIASTRA POSTERIORE GRUPPO SMART NERO	
10	149452700	VALVOLA CIECA X GRUPPO CAFFE' NERO	
11	140328761	OR METRICO 0060-15 IN TERMOIL	
12	129910921	VITE TCB 3X10 PLAST.INOX	
13	9161.377.050	TAPPO VALVOLA GRUPPO SMART NERO	
14	126771918	MOLLA X CONTROPISTONE GRUPPO SMART	
15	9161.372	RACCORDO EROG.GRUPPO CAFF.SMART NERO	
16	NM01.044	OR ORM 0320-40 IN SILICONE PTFE/FDA	
17	9161.371.050	FERMO RACCORDO EROG.GRUP.SMART NERO	
18	9160.075	AS.DOCCIA DE=35,8 ELFO C/VITE E DADO	
19	11001556	MOLLA RASATORE H=49 X GRUPPO CAF.SMART	
20	11003075	AS.CONT.CAF.C/BOCC.SALD.GRUP.P124 8G.NER	CON PART.N°27
21	129912521	VITE TCB R 3,5X14 PLAST.INOX	
22	9161.094.050	BLOCCHETTO FORATO GRUP.CAFFE' P/NERO	
23	9161.066.050	ALBERO A GOMITO X GRUPPO NERO	
24	11003077	AS.PISTONE INTEGRALE GRUP.P124 8GR.NERO	
25	9161.198	MOLLA PISTONE GRUPPO CAFFE' M5000	
26	9161.191	BOCCOLA PISTONE GRUP.CAFF.M5000 NEUTRO	
27	NM02.018	OR METRICO 0090-25 IN TERMOIL	
28	11003078	BIELLA X GRUPPO P124 8GR.NERO	
29	149261350	TRAMOGGIA GRUPPO CAFFE' SMART1 NERO	
30	9161.046	MOLLA X RASATORE GRUPPO	
31	9161.374.050	PIASTRA FISS.TRAMOG.GRUP.CAF.SMART NERO	
32	9161.378	MOLLA TRAMOGGIA GRUPPO CAFFE' SMART	
33	11005920	PIASTRA ANT.GRUPPO SMART S/F.NER.SER.NEW	
34	12000897	VITE TCB 3,5X20 PLAST.INOX	
35	12000550	VITE TCB 3X25 PLAST.INOX	
36	12000895	VITE TSP 3X10 PLAST.INOX	
37	11004161	RASATORE X GRUPPO CAFFE' NERO	
38	11023086	AS.GEN.PISTONE INTEGR.GRUP.CAF.8GR.NER.	
39	11003427	GRUPPO CAFFE' V3 SMART/NEW NERO	

POS	CODE	DESCRIPTION	NOTE
01	227470150	PIN BLACK ASS.FOR PERCOLATOR	
02	NM02.006	OR R5 TERMOIL	
03	11003428	BLACK COUNTERPISTON FOR SMART COFF.UNIT	
04	11000197	PROTECTION FOR BREW UNIT SMART	
05	9161.373.050	BLACK COUPLING PLATE BREW UNIT SMART	
06	9161.064.050	BLACK WATER INLET SLEEVE BREW UNIT	
07	NM02.007	OR 2025 TERMOIL	
08	20000440	BLACK SPARE SLEEVE UNIT	
09	9161.375.050	BLACK REAR PLATE FOR BREW UNIT SMART	
10	149452700	BLACK BLIND VALVE FOR BREW UNIT	
11	140328761	OR METRIC 0060-15 IN TERMOIL	
12	129910921	SCREW TCB TORX 10 3X10 SS	
13	9161.377.050	BLACK VALVE CAP FOR BREW UNIT SMART	
14	126771918	SPRING FOR CONTERPISTON UNIT SMART	
15	9161.372	BLACK BREWING PIPE COFFEE GROUP SMART	
16	NM01.044	OR ORM 0320-40 IN SILICONE PTFE/FDA	
17	9161.371.050	BLACK BREWING PIPE LOCK BREW UNIT SMART	
18	9160.075	PERCOLATOR DE=35,8 ELFO ASSY.	
19	11001556	SPRING H=49 FOR COFFEE BREW UNIT SMART	
20	11003075	BLACK COFFEE CONTAINER BREW UNIT P124	WITH PART.N°27
21	129912521	SCREW TCB TORX 10 3,5X14 PLAST.SS	
22	9161.094.050	BLACK DRILLED BLOCK BREW UNIT	
23	9161.066.050	ELBOW SHAFT FOR UNIT BLACK	
24	11003077	BLACK INTEGRAL PISTON UNIT P124 8GR.ASS	
25	9161.198	PISTON SPRING BREW UNIT M5000	
26	9161.191	NEUTRAL PISTON BUSH BREW UNIT M5000	
27	NM02.018	OR ORM 0090-25 TERMOIL	
28	11003078	BLACK CONNECTING ROD FOR UNIT P124 8GR.	
29	149261350	BLACK HOPPER DOSER BREW UNIT SMART1	
30	9161.046	SPRING FOR UNIT SCRAPER	
31	9161.374.050	BLACK HOPPER BLOCKING PLATE UNIT SMART	
32	9161.378	SPRING HOPPER SMART BREW UNIT	
33	11005920	BLACK FRONT PLATE BREW UNIT SMART S.SCR.	
34	12000897	SCREW TCB TORX 10 3,5X20 PLAST.SS	
35	12000550	SCREW TCB TORX 10 3X25 PLAST.SS	
36	12000895	SCREW TSP TORX 10 3X10 PLAST.SS	
37	11004161	BLACK SCRAPER FOR COFFEE UNIT	
38	11023086	BLK 8GR.BREW UNIT NTEGR.PISTON GEN.ASSY.	
39	11003427	BLACK BREW UNIT V3 NEW SMART	