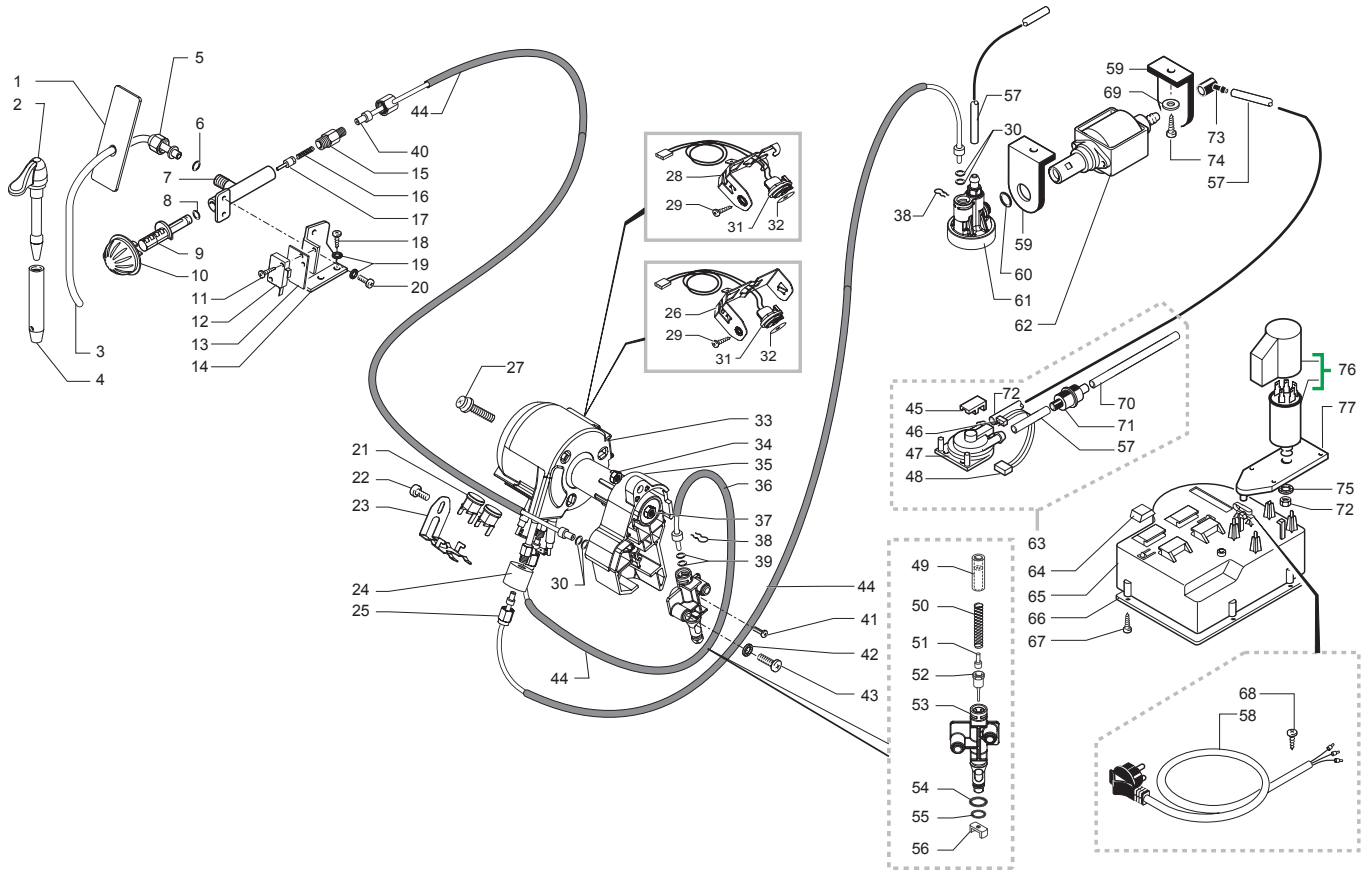


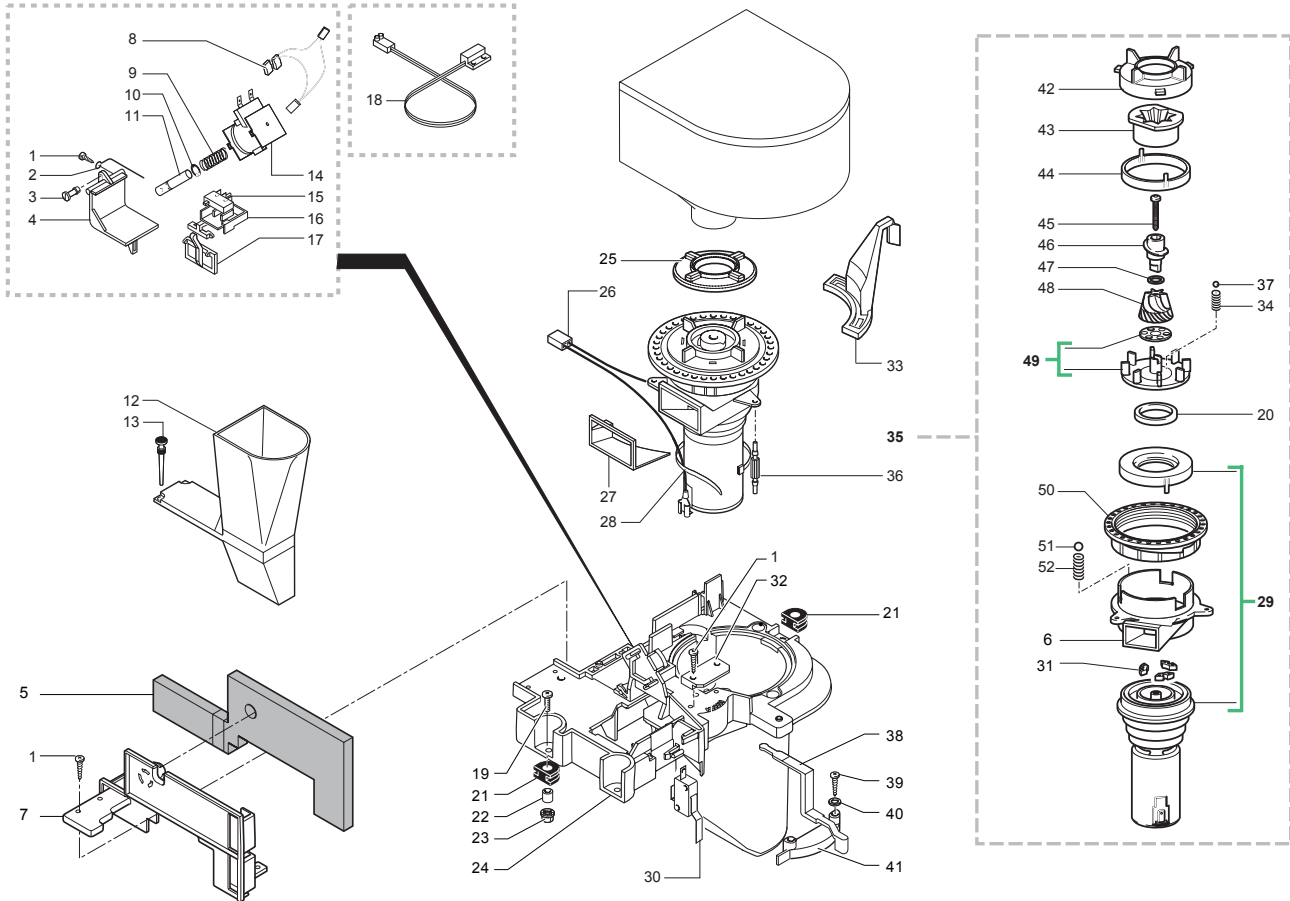
Rif.	Code	Description	Version
01	U043.012	SCREW TCB TORX 20 M4X6 ZN-B UP TO S/N. 9004MM40710680 TCB SCREW M4X10 UNI 7687 ZNP FROM S/N. 9004MM40710681	
	129824002		
02	127390100	BRUSH FOR CLEANING	
03	0347.011.050	FIDEX SLEEVE	
04	9972.026	SILICONE TUBE BROWN 5X8 L.173 MM	
05	0360.005.710	MOBILE DISPENSER CASING GREY RED.	
06	NM02.010	OR ORM 0050-20 TERMOIL	
07	0360.A03.710	DISPENSER ASS. REDESIGN	
08	0301.033.150	TANK CASING GREY	
09	129670202	TCB PANELVIT SCREW 3,5X16 TESTAD=8 ZNP	
10	0362.005.430	COVER	
11	0314.016.770	GRATE FOR TANK PAINTED	SILVER VERSION
12	145500211	RED FLOAT FOR SEB GRAN CAFFE'	SILVER VERSION
13	0314.022.710	GREY DRIP TRAY	SILVER VERSION
14	0347.005.710	FIXED CASING DISPENSER BLACK	
15	0347.A02.710	WHOLE MESH GREY UPPER DISPRAL 7021	
16	0301.031.770	GRATE SUPERAUTOM. PAINTED SILVER	BLACK VERSION
17	0347.A05.710	WHOLE MESH GREY LOWER DISP. RAL7021	
18	NE05.013	MICROSWITCH	
19	128310404	WASHER UNI 8842 A4 BURNISHED	
20	129573402	SCREW TAPT M4X10 DIN 7985 GALV	
21	0360.002	TUBE FOR CUPWARMING PLATE UP TO S/N. 9004MM40710680 TUBE FOR CUPWARMING PLATE FROM S/N. 9004MM40710681	
	0360.031		
22	0360.R03	KIT SPARES CUPWARMING PLATE UP TO S/N. 9004MM40710680 CLEAR GREY CUPWARMING PLATE ASSY. FROM S/N. 9004MM40710681	
	0360.032.660		
23	0317.006	CUPWARMER SEAL	
24	0327.036	GENERAL SWITCH PROTECTION	
25	NE03.038	BIPOLAR SWITCH FUSIT C1250AR	
26	0312.026.710	CASING ASS. GREY RAL 7021	
27	0701.031.150	SEAL COVER GREY	
28	145842900	WATER CONTAIN.VALVE SEAL GACO DIM14	
29	0701.014.150	SEAL CONTAINER GREY	
30	129532521	SCREW TSP2,9X9,5 DIN 7982 SS	
31	NM02.004	OR ORM 0080-20 TERMOIL	
32	U110.005	screw AUT.TCB 3,9X9,5 DIN 7981 F	
33	0312.032.A50	DUMP BOX PAINTED RAL 7021	
	0312.032.710	DUMP BOX PAINTED GREY RAL 7021	
34	0301.022.A50	COFFEE LID RAL 7021	
	0301.022.770	SILVER COFFEE LID	
35	0362.951	INSTRUCT.BOOKLET MAGIC DE LUXE D	
	0362.952	INSTRUCT.BOOKLET MAGIC DE LUXE F	

Rif.	Code	Description	Version
35	0362.953	INSTRUCT.BOOKLET MAGIC DE LUXE I	
	0362.954	INSTRUCT.BOOKLET MAGIC DE LUXE NL	
	0362.955	INSTRUCT.BOOKLET MAGIC DE LUXE GB	
	0362.956	INSTRUCT.BOOKLET MAGIC DE LUXE E	
	0362.957	INSTRUCT.BOOKLET MAGIC DE LUXE P	
36	U143.007	screw TORX TCB 2,9X19 SS BUR	
37	0301.048.150	ROTATING RING GREY	
38	9991.096	ADHESIVE FOOT 8X15X3,2	
39	0301.023.A50	WATER LID RAL 7021	
	0301.023.770	SILVER WATER LID	
40	NM01.032	RED SILICONE OR ORM 0060-30	
41	9161.110	SPRING FOR PISTON FOR SUPERAUTOM.	
42	9111.027.150	GREY PISTON FOR WATER CONTAINER	
43	9161.050.230	NAT/TRANSPCAP FOR FLOATING SPACE MAGIC	
44	9161.112.150	LEVEL FLOAT GREY	
45	0301.046.230	WATER TANK ASS. SUPERAUTOM.	
46	0329.006.230	COFFEE CONTAINER	
47	0314.905	TECHMATE RIGHT LOWER INSERT	
48	0301.029.A50	DOSER LID RAL 7021	
	0301.029.770	POWDER DOSER LID SILVER	
49	0362.001.A50	GREY COVER LID MAGIC REDES.SS/RC DELUXE	
	0362.001.770	SILVER CASING LID MAGIC REDES.SS/DELUXE	
50	0301.019	PEG FOR DOOR SUPERAUTOM.	
51	9161.140	SEAL FOR UNIT PLATE	
52	0301.020	PIN FOR DOOR SUPERAUTOMATICA	
53	NV01.001	ADHESIVE FOOT	
54	0301.041.150	UNIT SUPPORT PLATE GREY	
55	0317.903	RIGHT UPPER INSERT IN TECHMATE	
56	0360.018.710	DOOR CLOSURE KNOB RED.SER.	
57	U143.001	SCREW TCB 2,9X19	
58	0301.040.150	DOOR CLOSURE LEVER GREY	
59	0312.029.A50	DRIP TRAY RAL 7021	
60	0362.008.710	DOOR ASS. MAGIC SER. RAL 7021	
61	9991.040.150	MEASURE GREY	
62	9161.021.150	KEY FOR BREW UNIT GREY	
63	0317.902	LEFT UPPER INSERT IN TECHMATE	
64	0314.909	DRIP TRAY BOX	
65	0330.906	SPACER IN POLYSTYRENE	
66	0314.904	TECHMATE LEFT LOWER INSERT	
67	0360.901	EXTERNAL BOX FLEXO MAGIC	
			BLACK VERSION

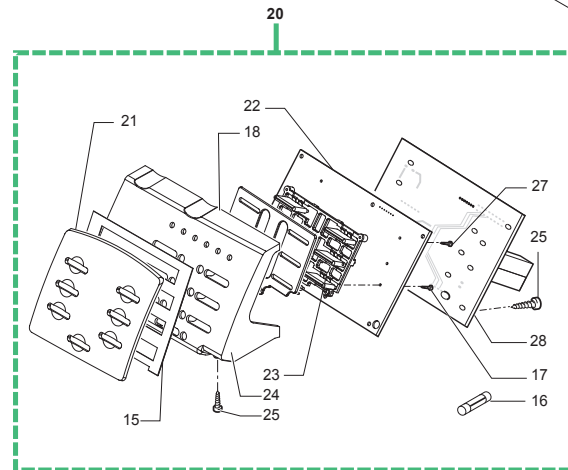
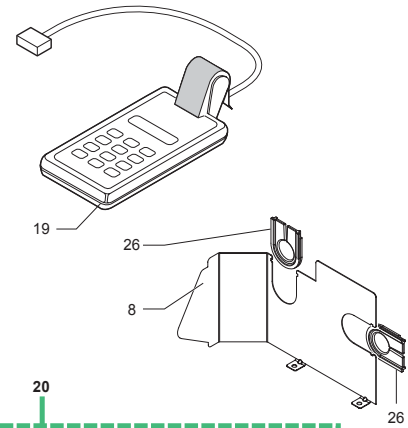
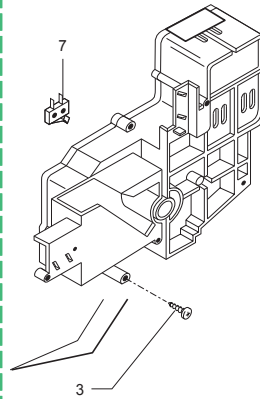
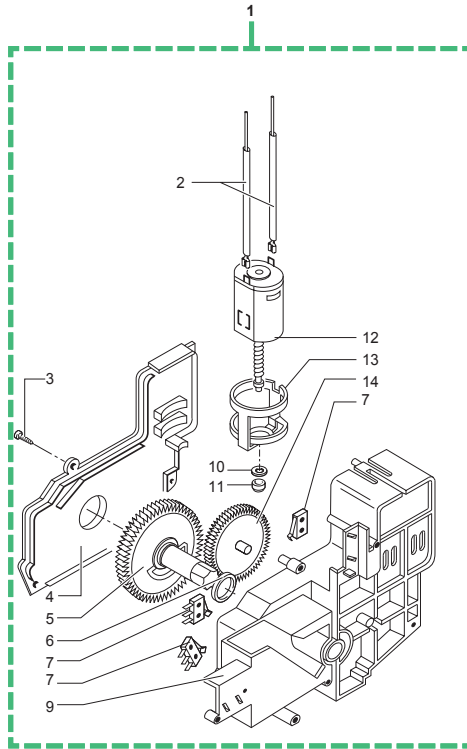


Rif.	Code	Description	Version
01	0360.021.150	INTERNAL PROTECTION FOR TUBE GREY	
02	9990.008.050	PANNELLO ASS.BLACK REDESIGN	
03	0360.010	STEAM TUBE	
04	9991.153	EXTERNAL COVER PANNELL.CHROMED	
05	9161.438	NUT FOR STEAM TUBE	
06	NM02.011	OR ORM 0060-20 TERMOIL	
07	9161.032	BRASS FAUCET BODY	
08	NM02.001	OR 2018 EPDM	
09	9161.057	STEAM FAUCET ROD	
10	0347.017.710	GREY STEAM KNOB RAL 7021 SERIG.	
11	U109.014	screw AUT.TCB 2,9X16 DIN 7981 C	
12	NE05.013	MICROSWITCH	
13	9991.014	CARD FOR MICRO SWITCHES	
14	0301.006	BRACKET FOR STEAM FAUCET	
15	9161.441	BRASS CONNECTOR FOR FAUCET	
16	126765317	STEEL SPRING BOILER PISTON MAGIC	
17	9019.A04	PIN ASS. SUPERAUTOMATICA	
18	U110.013	screw AUT.TCB 3,9X6,5 DIN 7981 F	
19	128310404	WASHER UNI 8842 A4 BURNISHED	
20	129823802	TCB SCREW M4X8 UNI 7687 ZNP	
21	189428200	THERMOSTAT 175° 1NT-08L-3794	
22	129573402	SCREW TAPT M4X10 DIN 7985 GALV	
23	126838117	2 THERMOSTATS FIXING SPRING	
24	147756562	PROTECTION FOR FOLK SPRING TUBE D=4	
25	9979.B30	TEFLON ASS. TUBE 2X4 L.200	
26	126838017	SENSOR FIXING SPRING UP TO S/N.9004MM40710967	
27	129932202	ROUND HEAD SCREW 10.9 M5X20 GALV	
28	126838217	SENSOR FIXING SPRING FROM S/N.9004MM40710968	
29	129573202	SCREW TCB TORX 2,0M4X8 AUTOFORMING ZNB	
30	140328059	OR 2015 IN SILICONE PTFE/FDA	
31	288582200	SENSOR ASS.FOR ALLUM.BOILER AS.	
32	145951600	ELECTRIC INSULATING DISK D=16	
33	282058858	V2 TUB.BOILER W/ADDIT.RESIST.1100W	230V
	282058855	V2 TUB.BOILER W/ADDIT.RESIST.1100W	120V
34	U310.003	nut SELF LOCK.M5 UNI 7473	
35	9161.435	BLK TUB.BOILER SUPPORT FOR SUPERAUTOM.	
36	227876600	CONNECTOR AS.TEFLON 2X4 L=300 MM	
37	123453902	SELF-LOCKI.NUT M5X0,8 DIN 980 CLA.8	
38	9011.144	SS FORK FOR TUBE D.4	
39	140326662	OR METRIC 0040-20 IN SILICONE	
40	9979.B29	TEFLON ASS. TUBE 2X4 L.280	
41	129910103	HI -LO TC SCREW 3,5X15 RIF.910189	
42	128310521	WASHER UNI 8842 A5 SS	
43	U043.030	screw TCBC M5,0X30 UNI 7687 GALV.	
44	JS01.021	BLACK SILICONE TUBE 7,5X 9,3	IN ROLL

Rif.	Code	Description	Version
45	9161.018	BRACKET FOR TURBINE	
46		PARTICULAR NOT AVAILABLE	SEE PART.N°47
47	286473300	-M-VDE TURBINE WITH SENSOR KIT	
48	0314.815	CONNECTOR ASS. 3POLE TURBINE PROF.	
49	9991.217	BRASS BUSH PIN BOILER	
50	9011.132	SPRING FOR PIN	
51	9011.075	ADAPTER FOR LONG PIN	
52	9019.A01	PIN ASSY	
53	9161.434	BOILER PIN	
54	NM01.035	OR ORM 0090-20 SILICONE	
55	NM01.057	OR ORM 0050-20 IN SILICONE	
56	9011.099	PLASTIC CURSOR FOR BOILER VALVE	
57	9972.022	SILICONE TUBR 5X8 L.2MT	
58	NE01.120	CABLE SCHUKO GREY H05	
	NE01.114	POWER CABLE AUSTRALIA	
	NE01.118	CABLE CH H05 GREY 1 MM	
	NE01.112	CABLE TW 3 POLE GREY 1 MM	120V
	NE01.116	CABLE USA 3P BLACK 1 MM	
	NE01.122	CABLE SCHUKO D=4,8 GREY H05	
59	9991.056	SUPPORT FOR PUMP	
60	NM02.020	OR 2031 TERMOIL	
61	229452100	COMPENSATION AND SAFETY VALVE 16 BAR ASSY	
62	187720958	ULKA PUMP EX 5	230 V
	187720955	ULKA PUMP EX 5	120 V
63	0348.A27	TURBINE ASS. COMPLETE WITH TUB	
64	147620400	BLACK SQUARE ADHESIVE FOOT SJ-5018	
65	0301.056.150	POWER CABLE CONT. VDE GREY	
66	0301.055.150	LID FOR POWER CABLE CONT. GREY	
67	129670202	TCB PANEL VIT SCREW 3,5X16 TESTAD=8 ZNP	
68	U140.009	PANEL VIT TCB 3,0X16 DIN 7505 B GAL	
69	U207.004	PLAIN WASHER 4,3X16 UNI 6592 GAL	
70	9972.247	SILICONE TUBE 5X10 L.2000 MM	
71	144650300	SUCTION FILTER GAUZE NET 500 (NEW)	
72	U302.007	nut HEXAGONAL M8 UNI 5588	
73	147920150	90° INLET CONNECTOR PUMP	
74	U110.003	screw AUT.TCB 3,5X9,5 DIN 7981 F	
75	U208.009	TOOTHED WASHER 8,4X15 UNI 3703	
76	0301.A12.00A	ASS CAPPUCCIO + FILTRO	
77	0327.035.150	ANTIDISTURB FILTER SUPPORT	



Rif.	Code	Description	Version	Rif.	Code	Description	Version
01	U140.004	PANELVIT TCB 3,0X12 DIN 7505 B GAL		40	U201.001	PLAIN WASHER 3,2X9 DIN 7349 GAL	
02	9161.048	SCRAPER ROD		41	9161.404.150	DOSE ADJUST. SCALE GREY RAL 7016	
03	9161.076.150	DOSER DOOR PIN GREY		42	149186150	BLACK UPPER GRINDER SUPPORT MAGIC	
04	9161.074.150	DOSER DOOR GREY		43		PARTICULAR NOT AVAILABLE	SEE PART.N°48
05	9161.382	INSULATOR FOR COFFEE GRINDER		44	142844550	UPPER GRINDER COVER COFFEE GRIND.MAGIC	
06	9141.080	MOTOR SUPPORT		45	129931002	TORX SCREW T10 TCB 3,5X40 SX ZNG	
07	9161.366.150	GREY/7016 SUPPORT FOR INSULATOR		46	147470763	INCREASE SCREW PIN COFFEE GRINDER MAGIC	
08	0301.866	CONNECTOR ASS. 2 POLE DOSER COIL	(I) (B) (CH) (F)	47	U201.002	PLAIN WASHER 10X16X0,2DIN 988 GAL	
09	126764818	SPRING ELECTROM.BEAN DOSER MAGIC		48	226477700	KIT ITAL MILL GRINDERS	
10	U701.003	SNAP RING 7 UNI 7434		49	149188750	CONICAL GRIND. SUPP. + RING MAGIC	
11	9161.041	DOSER ELECTROMAGNET CORE		50	146570950	RING NUT FOR GRINDING ADJUSTMENT MAGIC	
12	9161.223.150	COMPL.HOPP.FOR POWDER COFFEE GRE.		51	128610421	STAIL.STELL AISI 304 SPHERE D=3,2MM	
13	9161.082	RUBBER COUPLER		52	126770117	NEW SPRING SPHERE D=3,2 MOTOR MAGI	
14	9129.A21.00A	WHOLE COIL X SUPERAUT.	230V				
	9129.A07.00H	COFFEE DOSER COIL ASS.	240V				
	9129.A07.00F	COFFEE DOSER COIL ASS.	120V				
15	NE05.017	MICROSWITCH					
16	9161.072.150	MICRO SUPPORT CURSOR GREY					
17	9161.073.150	DOSE CONTROL COMPENSATOR GREY					
18	0301.811	CONNECTOR 2 POLES LEVEL ASSY.					
	0317.829	CONNECTOR 2 POLES LEVEL UL ASSY.					
19	U043.004	ZN-B TCB SCREW M4X16					
20	140360200	FELT RING 40X34X5					
21	9991.005	RUBBER FOR COFFEE GRINDER					
22	9141.003	SPACER FOR RUBBER					
23	U324.006	NUT M4 FLANGED INDENTED BASE					
24	9161.365.150	GREY PLATE FOR COFFEE GRINDER					
25	1505.020	GASKET COFFEE GRINDER UL					
26	0301.869	CONNECTOR ASS. 2 POLE COFFEEGRINDE					
	0301.868	2P.CONNECT.COFFEE GRINDER UL					
27	1505.014	COFFEEGRINDER SEAL					
28	144320200	SELF LOCK STRIP L=200MM					
29	1501.R09.00A	MOTOR SPARE UNIT 230V					
	1501.R09.00H	MOTOR SPARE UNIT 240V					
	1501.R09.00F	MOTOR SPARE UNIT 120V					
30	NE05.037	MICROSWITCH					
31	140230400	SHOCK ABS. CONICAL GRINDER SUPP MAGIC					
32	9161.097.150	LEVER FIXING PLATE GREY					
33	9161.080.700	GRINDING ADJUSTM.LEVER BLACK					
34	126765517	STEEL SPRING SPHERE D=5,5 MOTOR MAGIC					
35	9140.036.00A	STANDARD COFFEE GRINDER	230V (B) (CH)				
	9140.035.00A	STANDARD COFFEE GRINDER ITA	230V (AUS) (I) (F)				
	9140.036.00F	STANDARD COFFEE GRINDER	120V (USA)				
36	9991.103	ANTIVIBRATION FOR COFFEEGRINDER					
37	128610521	STAIL.STELL AISI 304 SPHERE D=5,5MM					
38	9161.077.150	DOSE ADJUSTMENT LEVER DE LUXE GREY					
39	129512503	SCREW TCB 2,9X9,5 DIN 7981 NICK					



Rif.	Code	Description	Version
01	9120.046.150 9120.049.150	RATIOMOTOR WITH GREY TUBE ASSY. RATIOMOTOR WITH GREY TUBE UL ASSY.	
02		PARTICULAR NOT AVAILABLE	SEE PART.N°12
03	129670202	TCB PANELVIT SCREW 3,5X16 TESTAD=8 ZNP	
04	9121.043.150	RATIOMOTOR LID GREY	
05	9121.069.150	GEAR Z=108 FOR MOUNTING PLATE M4000	
06	9161.368	MYLAR WASHER FOR RATIOMOTOR	
07	NE05.038	MICROSWITCH	
08	9161.430	PROTECTION BRACKET	
09	9121.064.150	CASING WITH TUBE AND PIN GREY	
10	148380200	WASHER BAKELIZZATE D=5,5	
11	9121.046	SINTERED BUSH FOR MOTOR	
12	9120.045	MOTOR FOR MAGIC RATIO MOTOR ASSY	
13	9121.044	ANTIVIBRATION FOR MOTOR	
14	9121.042	GEAR Z.12/90	
15	0360.026	ADHESIVE X MAGIC CONFORT	
16	NE13.044	FUSE 5,0X20 8A 250V DELAYED	
17	U117.001	screw AUT.PT TCB 2,5X006 WN 1442	
18	0362.007	PROTECTION TOUCH PANEL IN SILICONE	
19	1411.000.00A	PROGRAMMER MAGIC	230V
20	0362.R01.A5A	SPARE ASS.ELECTRONIC DE LUXE 230V	BLACK VERSION (B) (CH)
	0362.R01.77A	SPARE ASS.ELECTRONIC DE LUXE 230V	SILVER VERSION (B) (CH)
	0362.R02.A5A	SPARE ASS.ELECTRONIC DE LUXE 230V	BLACKVERS. (AUS) (I) (F)
	0362.R02.77A	SPARE ASS.ELECTRONIC DE LUXE 230V	SILVER VERS. (AUS) (I) (F)
	0362.R01.77F	SPARE ASS.ELECTRONIC DE LUXE 120V STD	SILVER VERSION (RC)
	0362.R03.A5F	SPARE ASELECTRONIC DE LUXE 120V STD UL	BLACK VERSION (USA)
	0362.R03.77F	SPARE ASS.ELECTRONIC DE LUXE 120V STD UL	SILVER VERSION (USA)
21	0362.006.710	GREY SERIGRAPHED ESCUTCHEON	
	0362.006.770	SILVER SERIGRAPHED ESCUTCHEON	
22	0362.802	CPU CARD DE LUXE REDESIGN 230V	
23	0362.003.430	TOUCH PANEL 7 BUTTON	
24	0362.004.670	ELECTRONICS SUPPORT MAGIC DE LUXE RED.	
25	U140.004	PANELVIT TCB 3,0X12 DIN 7505 B GAL	
26	9161.429	PASSACAVO GRANDE X SQUADRETTA	
27	U145.002	SCREW AUT.TCB 3,0X6,0 PT WN 1412 S	
28	0362.801.00A 0362.803.00A 0362.801.00F	POWER CARD DE LUXE REDESIGN POWER CARD DE LUXE REDESIGN POWER CARD DE LUXE REDESIGN	230V STD (B) (CH) 230V ITA (AUS) (I) (F) 120V STD (USA)

Rif.	Code	Description	Version
------	------	-------------	---------

