

SUP032AR

RI9828/01-02-41-47



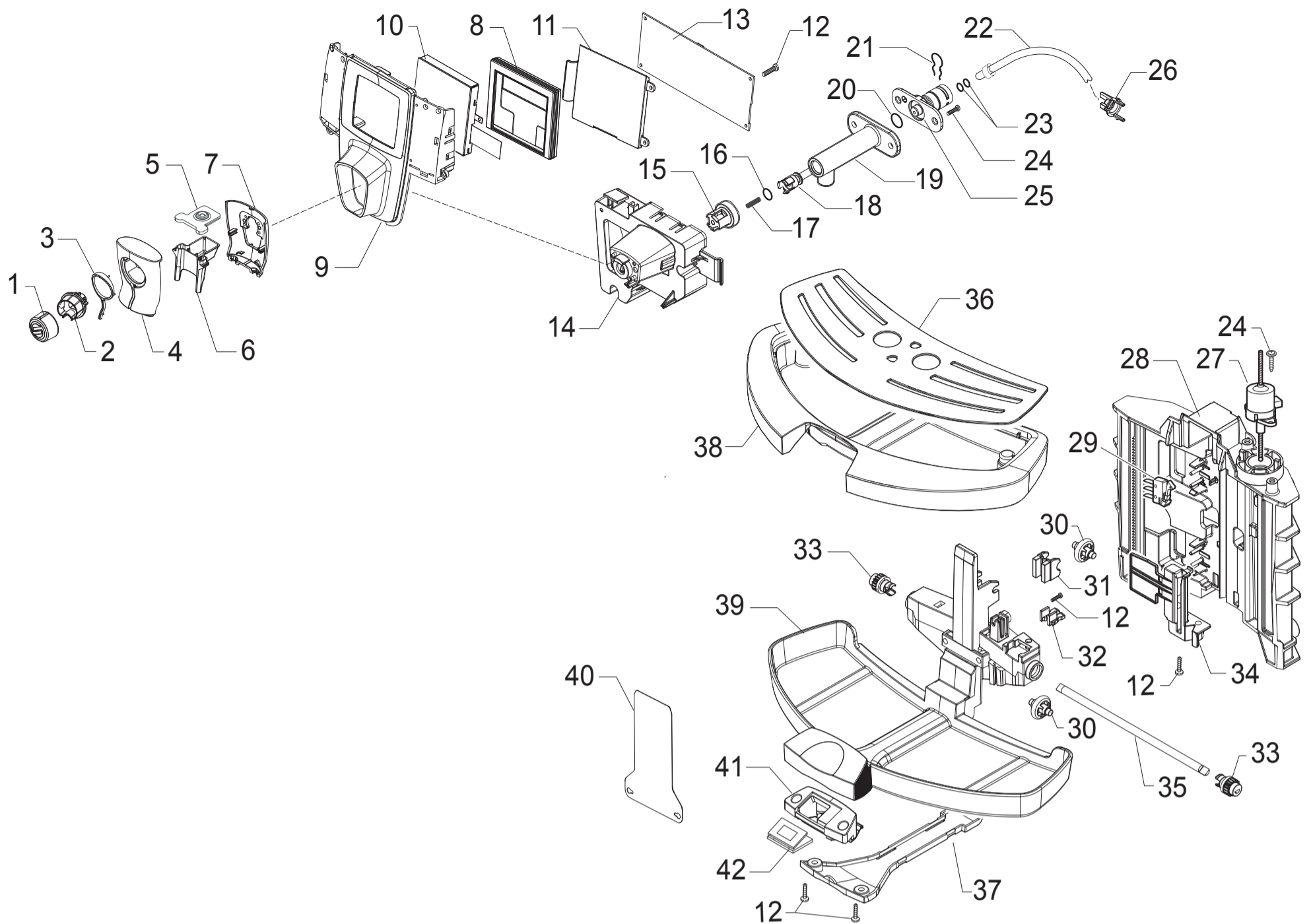
Cod.10002772-73-2826-2827  
Cod.10002828-34-66-67-68

POS	CODE	DESCRIPTION	NOTE	POS	CODE	DESCRIPTION	NOTE
01	11010828	URBAN WATER TANK OUTLET COVER P0053		35	11004056	CHROMED ON-OFF SWITCH BUTTON P0049	
02	11001668	NATURAL/GREY WATER CONTAINER LID P0053		36	11010815	URBAN DRIP TRAY COFFEE UNIT P0053	
03	11002017	TRANSPARENT WATER CONTAINER P0053 ASSY.		37	11003533	BLACK DUMP BOX P0049 ASSY.	
04	224640200	EXTERNAL FILTER FOR WATER CONTAINER ASSY	WITH PART.N°05	38	11001659	BLACK INSIDE COVER DOOR P0053	
05	140328461	EPDM OR METRIC 0190-10		38	11009285	BLACK INSIDE COVER DOOR P0053 UL	
06	11003672	SPRING FOR WATER CONTAINER VALVE P0049		39	9161.111	MAGNET FOR FLOAT SUPERAUTOM.	
07	11003673	GREY WATER CONTAINER VALVE INSERT P0049		40	11001340	BLACK DOOR PIN P0049	
08	11003671	TRANSP.VALVE FOR WATER CONTAINER P0049		41	11008956	SS SPRING FOR LOCK DOOR G0053	
09	11001298	BLACK LID FOR DUCKBILL VALVE P0049		42	11010859	URBAN DOOR P0053	
10		PARTICULAR NOT AVAILABLE	SEE PART.N°59	43	11003785	BLACK GRINDER ADJUSTMENT KEY P0049	
		UP TO S/N.9009SA40101129		44	15002197	MANUAL V4 SAE SUP032AR P0053/D D/I	
	13000841	PS-E UPPER INSERT V4 FOR BOX P0053		44	15002199	MANUAL V4 SAE SUP032AR P0053/D E/P	
		FROM S/N.9009SA40101130		44	15002198	MANUAL V4 SAE SUP032AR P0053/D GB/F	
11		PARTICULAR NOT AVAILABLE	SEE PART.N°59	44	15002200	MANUAL V4 SAE SUP032AR SUP053/D NL/PL	
		UP TO S/N.9009SA40101129		44	15001651	MANUAL INSTRUCTIONS SUP032AR CHN	
	13000840	PS-E LOWER INSERT V4 FOR BOX P0053		45	21002050	ACC PSA BRITA WATER FILTER 1UNIT	EUR-ASIA
		FROM S/N.9009SA40101130		45	21002051	ACC PSA MAVEA WATER FILTER 1UNIT	USA
12		PARTICULAR NOT AVAILABLE	SEE PART.N°59	46	129914102	SCREW TSP TORX 10 3,5X12 PLAST.ZN-B	
		UP TO S/N.9009SA40101129		46	183930650	POWER CABLE CH BLACK 3X1 H05VV-F L=1200	
	13000882	DISPLAY BOX V4 SAECO P0053		47	183911050	POWER CABLE SCHUKO BLACK L=1200	
		FROM S/N.9009SA40101130		47	183940650	BLACK POWER CABLE AUSTRALIA L=1200	
13	11004057	CHROMED WATER-STEAM KNOB P0053		47	183921950	POWER CABLE SJT3 USA BLACK UL L=1200	
14	129913202	SCREW TCB TORX 10 3X8 PLAST.ZN-B		47	183980650	POWER CABLE JAPPON VCTF BLACK L=1200 MM	
15	11004142	SILVER PLATE LOGO SAECO NEW P0049/P0053		47	17800019	BLACK POWER CABLE BRAZIL L=1200	
16	11011597	SPECCHIATO COVER WITH OPEN P0053 V2		47	11004246	BLACK POWER CABLE TAIWAN HVCTF L=1200	
17	11002096	TRANSPLATE INFRAREDS PLATE P0053		47	11004247	BLACK POWER CABLE RVV 3X1 CHINA L=1200MM	
18	11010840	BLACK PLATE W/LOGO TALEA P0053 TOUCH PL		47	11001985	BLACK POWER CABLE KOREA 3X1 L=1200	
19	140321461	OR 2018 IN EPDM		48	11003154	BLACK REED SENSOR SUPPORT P0049	
20	11003821	BLACK CAP FOR CONNECTIONS P0049/P0053		49	0301.961	WATER HARDNESS TEST	
21	11000223	BLACK WHEEL FOR CASING BOTTOM P124		50	146680850	BLACK COFFEE MEASURE SMART	
22	11010809	URBAN LEFT SIDE CASING P0053		51	11005723	CLEAR/GREY CUPWARMING LID P0053 UL ASSY.	230V
23	11001624	STEAM TUBE WASHER P0049		52	11004303	SILVER WARM CUPS FINGER PROTECTION P0053	
24	NF11.084	FOLK SPRING		53	140329461	EPDM OR 2137	
25	11001360	PWR BOARD P0049/P0053	230V	54	129661702	SCREW TCB TORX 3,5X30 PLAST.ZN-B	
25	11003968	PWR BOARD P0049/P0053	120V-120V	55	11028379	PSA KLUBER TRIBOSTAR SIL 2 TUBE 5GR..	
26	11002030	TRANSP.BEAN COFF.CONTAIN.LID P0053 ASSY.		56	11003889	2POLES CONNECTOR SENSOR REED DOOR P0049	
27	11009194	BLACK POWER BOARD PROTECT.V2 P0053/A-D		57	11006567	LWR INSULATE SHEET PWR ELECT.BOARD P0053	(ONLY 120V)
28	11001670	NATUR/GREY GROUND COFF.CONTAIN.LID P0053		58	11007234	UPP.INSULATE SHEET PWR ELECT.BOARD P0053	(ONLY 120V)
29	11011354	TRANSPAR.BEAN CONTAINER V2 P0053		59	20006664	KIT SPARES FOR PACKAGING V4 P0053	
30	11002016	MOUNTING PLATE WITH PIN P0053 PP+T ASSY.				UP TO S/N.9009SA40101129	
30	11009300	MOUNTING PLATE WITH PIN P0053 ASSY. UL					
31	12000280	CUP SOCKET EN 60320 C 13					
32	11007060	GENERAL SWITCH FOR P124					
33	11010813	URBAN RIGHT SIDE CASING P0053					
34	11010807	URBAN ON-OFF BUTTON INSERT P0049					



TALEA TOUCH PLUS V2

TABLE 1/5



**Saeco**  
INTERNATIONAL GROUP

SUP032AR

RI9828/01-02-41-47



Cod.10002772-73-2826-2827  
Cod.10002828-34-66-67-68

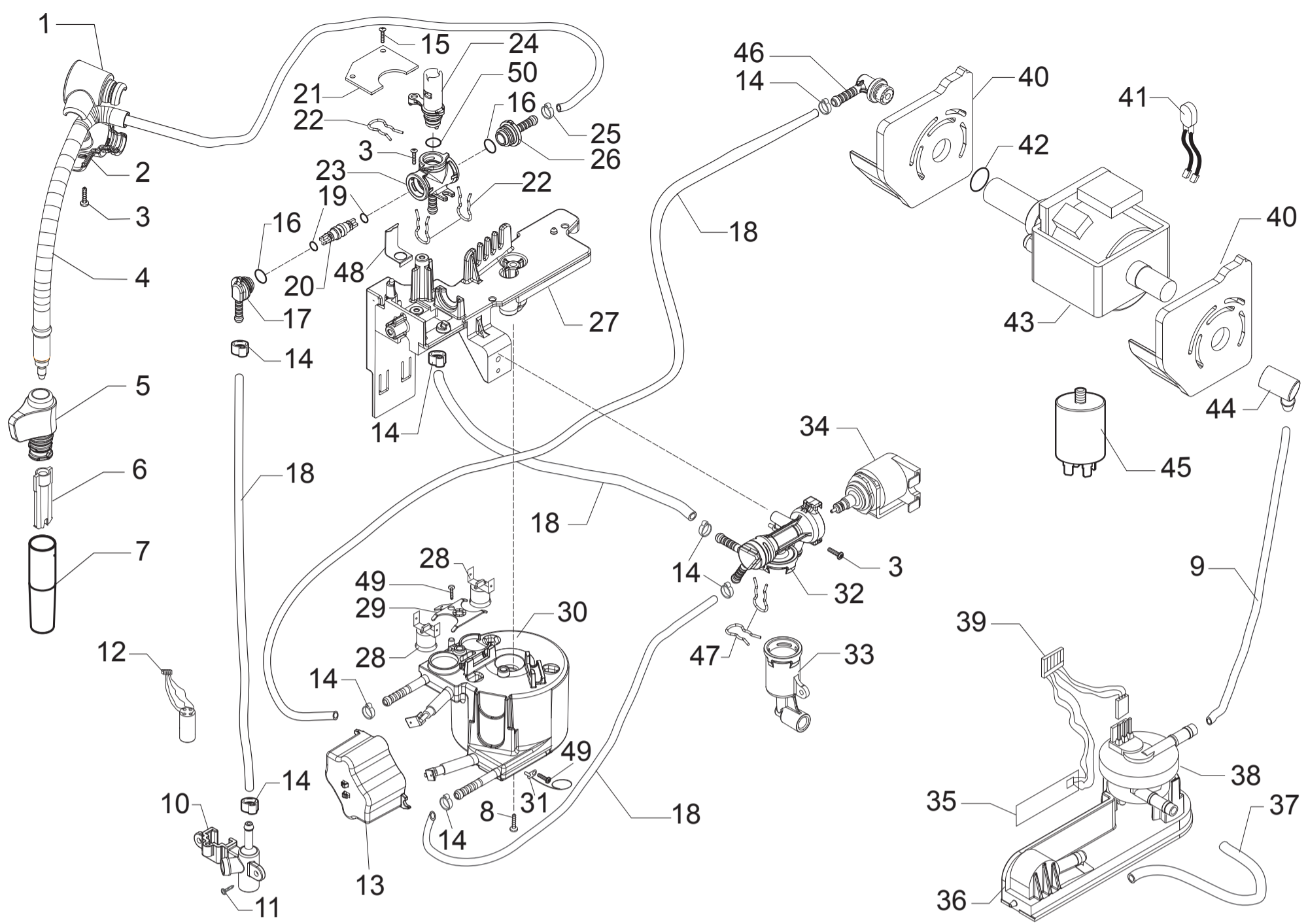
POS	CODE	DESCRIPTION	NOTE	POS	CODE	DESCRIPTION	NOTE
01	11007378	CHR/PLAT.CREAM ADJUSTM.KNOB V2 P124 ASSY		41	11002184	BLACK SENSOR BOARD SUPPORT P0053/C-D	
02	11007420	INTERNAL CONNECT.V2 FOR COFFEE DISPENSER		42	11000585	MOBILE DRIP TRAY SENSOR BOARD P124	
03	11002110	AMBRA COFFEE DISPENSER LENS P0053					
04	11004208	CHROMED FRONT COFFEE DISPENSER COVER					
05	11002111	BLACK CAP COFFEE DISPEN.HEAD BODY P0053					
06	11002049	BLACK COFFEE DISPENSER BODY P0053					
07	11004119	CHROMED REAR COFFEE DISPENSER COVER					
08	11009931	BLACK DISPLAY SUPPORT SEAL V2 P0053/D					
09	11010826	SPECCHIATO FRONT PANEL P0053/D					
10	12001133	DISPLAY 192x160 AMBER P0053/D MY08					
11	11009932	BLACK DISPLAY SUPPORT V2 P0053/D					
12	129913202	SCREW TCB TORX 10 3X8 PLAST.ZN-B					
13	11010291	CPU+SW AS.V3 P0053/D					
14	11002112	BLACK DISPENSING SUPPORT P0053					
15	149198700	SUPPORT CREAM ADJUSTMENT SHAFT					
16	140326661	OR METRIC 0040-20 IN EPDM					
17	126772518	SPRING FOR CREAM ADJUSTMENT SHAFT					
18	140640200	CREAM ADJUSTMENT SHAFT					
19	11000290	BLACK COFFEE DISPENSER TUBE P124					
20	12000070	OR METRIC 0060-15 IN SILICONE					
21	9011.144	FORK FOR TUBE D.4					
22	11001766	TEFLON TUBE 2X4 L=125 MM ASSY.					
23	140328059	OR 2015 IN SILICONE PTFE/FDA					
24	12000450	SCREW TCB TORX 10 3,5X12 PLAST.GALVANIZ					
25	11002130	FAST LOCK CONNECTOR FOR EROGATOR P0053					
26	11001337	BLACK TUBE TEFLON INSERT P0049					
27	12000065	SAIA UCL MOTOR FOR P124 MOBILE TRAY ASSY					
28	11002204	BLACK DRIP TRAY GUIDE P0053					
29	11000662	MICROSWITCH DRIP TRAY P124 ASSY.	230V				
	11004447	MICROSWITCH DRIP TRAY P124 ASSY.	100V ÷ 120V				
30	11000113	BLACK WHELL FOR DRIP TRAY SUPPORT P124					
31	11000224	INSERT FOR ADJUSTMENT TRAY WHEEL P124					
32	11000115	FIXING PLATE FOR FEEDING SCREW P124					
33	11000081	GEAR Z=17 FOR MOBILE TRAY SUPPORT P124					
34	11002293	BLACK LOWER DRIP TRAY PROT.SUPPORT P124					
35	11000586	MOBILE DRIP TRAY GEARS SHAFT P124					
36	11010389	SB/STAINLESS STEEL GRATE P0053					
37	11002181	BLACK COVER FOR SENSORS CABLES P0053C-D					
38	11012297	BLACK MOBILE DRIP TRAY P0053 ASSY.					
39	11002206	BLACK DRIP TRAY SUPPORT P0053					
40	11007035	SPECCHIATO DRIP TRAY PROTECTION V2 P0053					

**Saeco**  
INTERNATIONAL GROUP

TALEA TOUCH PLUS V2

Rev. 02 - 29/06/09

TABLE 2/5



SUP032AR

RI9828/01-02-41-47

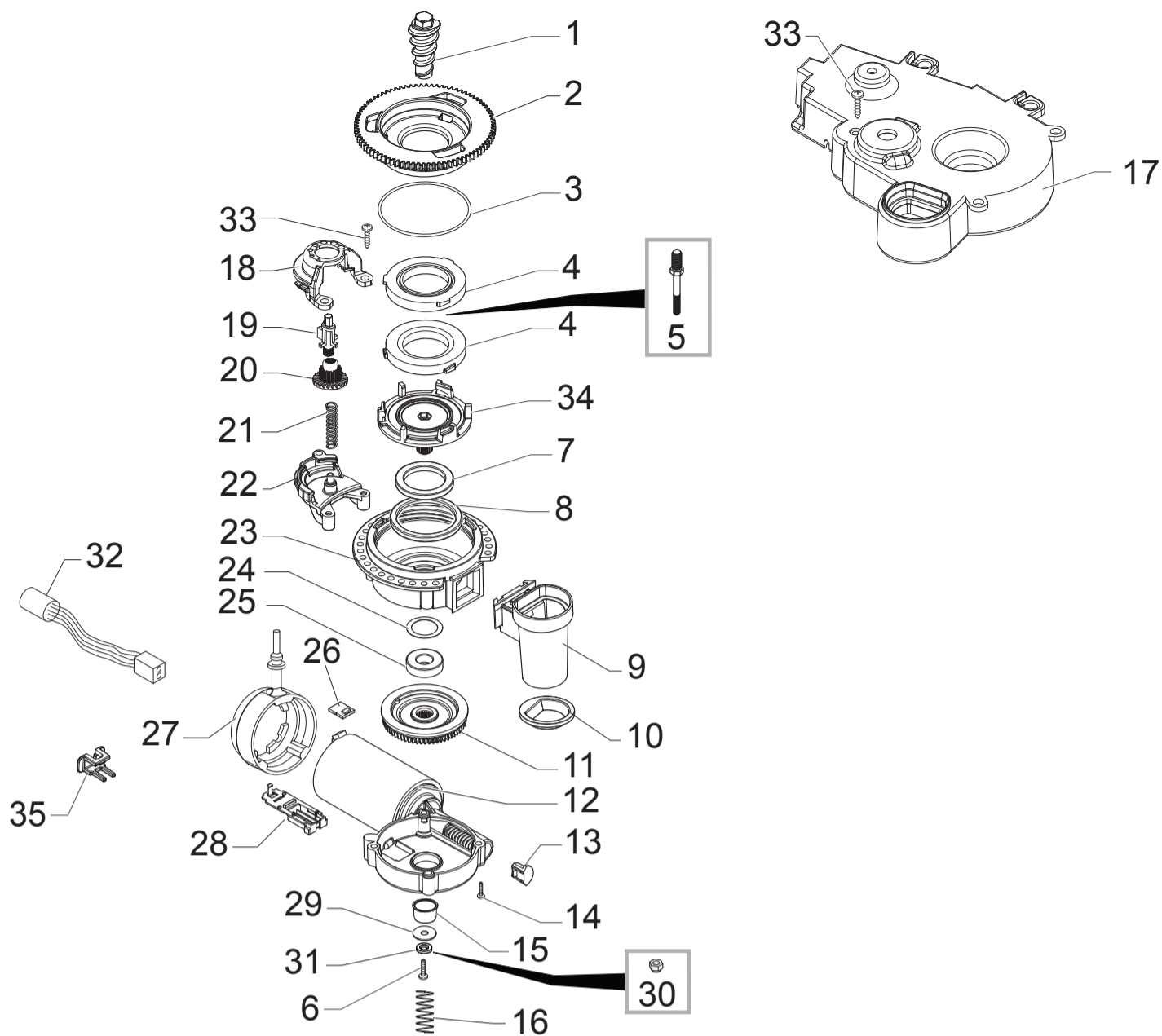


Cod.10002772-73-2826-2827  
Cod.10002828-34-66-67-68

POS	CODE	DESCRIPTION	NOTE	POS	CODE	DESCRIPTION	NOTE
01	11004196	CHROMED UPPER STEAM TUBE COVER P0049		34	20000920	BLOWDOWN VALVE COIL P0049 ASSY.	220V-60HZ
02	11004197	CHROMED LOWER STEAM TUBE COVER P0049		35	11000651	WATER LEVEL SENSOR BOARD P124	
03	129913902	SCREW TCB TORX 10 3X12 PLAST.ZN-B		36	11003670	BLACK TURBINE SUPPORT V2 P0049	
04	11022486	TF/CHROM.STEAM TUBE V2 P0049/P0053 ASSY.		37	JS01.022	SILICONE TUBE 5X10 60 SHORE	IN ROLL
05	11001625	BLACK STEAM TUBE HANDGRIP P0049		38	12000781	TURBINE D=1,2 932-8521/90 ASSY.	
06	11001620	BLACK PANNARELLO INTERNAL TUBE P0049		39	11005648	6 POLES CONNECT.LEVEL+FLOWMETER P0049 UL	230V
07	11001621	SS PANNARELLO COVER P0049		40	11006296	BLACK PUMP SUPPORT P0049 ASSY.	
08	129932502	SCREW TCEI 5X30 PLAST.ZN-B		41	11005668	2POLES CONNECTOR PUMP P0049 UL	230V
09	149360200	SILICONE TUBE 5X8 70SR	IN ROLL	42	140321961	OR 2031 IN TERMOIL	
10	11007421	BLACK CONNECTOR FOR P0054		43	12000140	ULKA PUMP EP5/S GW	230V-50HZ
11	12000450	SCREW TCB TORX 10 3,5X12 PLAST.GALVANIZ			12000142	ULKA PUMP EAP5/S	120V-60HZ
12	11000465	4POLE CONNECTOR FOR P0054			12000130	ULKA PUMP EP5/S GW	100V-50/60HZ
13	11005284	BLACKBOILER CONNECTORS COVER P0049/P0053		44	147920150	90°CONNECTOR PUMP INLET	
14	12000892	OETIKER CLAMP D=9,5 16700004		45	12000005	ANTIDISTURB FILTER 10A FNC 1005474103P	230V
15	129913202	SCREW TCB TORX 10 3X8 PLAST.ZN-B			12000007	ANTIDISTURB FILTER 16A	120V
16	12001613	O-RING 108 EPDM PEROX.FOOD 70 SH			12001363	QUICK-LOCK ANTIDISTURB FILTER 16A	100V
17	11001544	BLACK FAUCET CONNECTOR P0049		46	11001054	90°CONNECTOR PUMP OUTLET P0049/B	
18	16000380	5X8,9 SILICONE TUBE	IN ROLL	47	11005096	FORK SPRING FOR VALVE P0049	
19	12001614	OR 2012 IN EPDM PEROX.FOOD 70 SH		48	11002957	SS.FAUCET FOR SPRING P0049	
20	11004134	TEA/BRASS FAUCET SHAFT P0049		49	12001715	SCREW TCB TORX 20 M4X8 AUTOFORMING ZN-B	
21	11007569	TAP ELECTRONIC CARD G0053 ASSY.		50	140321861	OR 2025 IN EPDM	
22	11001499	FORK SPRING FOR FAUCET P0049			11025775	TEA/BRASS FAUCET V2 P0049-P0053 ASSY. WITH PART.N°16-17-19-20-22-23-24-26	
23	11004625	TEA/BRASS FAUCET CASING P0049			11001543	BLOWDOWN VALVE P0049 230V ASSY.	
24	11025776	PLAST/BRASS FAUCET SHAFT V2 P0049 ASSY.			11005604	BLOWDOWN VALVE P0049 120V ASSY.	
25	NF11.052	OETIKER CLIP			11005751	BLOWDOWN VALVE P0049 100V ASSY.	
26	11001546	FAUCET STRAIGHT CONNECTOR P0049			11009021	BLOWDOWN VALVE P0049 220V-60HZ ASSY WITH PART.N°32-33-34-47	
27	11001332	BLACK BOILER-FAUCET-VALVE SUPPORT P0049			11008027	ALUM.BOILER V2 P0053 230V ASSY.	COMPLETE
28	189428600	THERMOSTAT 175° 1NT-08L-5125	(ONLY FOR 230V)		11008028	ALUM.BOILER V2 P0053 120V ASSY.	COMPLETE
	12001034	THERMOSTAT ONE SHOT 175°	(ONLY FOR 230V)		11009131	ALUM.BOILER V2 P0053 220V ASSY.	COMPLETE
		<b>FROM S/N. 9008SA40364013</b>	(ONLY FOR 230V)		11008029	ALUM.BOILER V2 P0053 100V ASSY.	COMPLETE
29	11001751	THERMOSTATES SPRING FOR BOILER					
30	11011341	ALUM.BOILER/V4 ASSY.	230V-1300W				
	11011342	V4 TUB.BOILER ASSY.	120V-1300W				
	11011343	V4 TUB.BOILER ASSY.	100V-1300W				
31	190800100	TEMPERATURE SENSOR NTC UL L=280MM					
32	20000591	BLOWDOWN VALVE CASING P0049 ASSY.					
33	20000592	BLOWDOWN VALVE CONNECTOR P0049 ASSY.					
34	20000590	BLOWDOWN VALVE COIL P0049 230V ASSY.	230V				
	20000680	BLOWDOWN VALVE COIL P0049 ASSY.	120V				
	20000681	BLOWDOWN VALVE COIL P0049 ASSY.	100V				



TALEA TOUCH PLUS V2



SUP032AR

RI9828/01-02-41-47



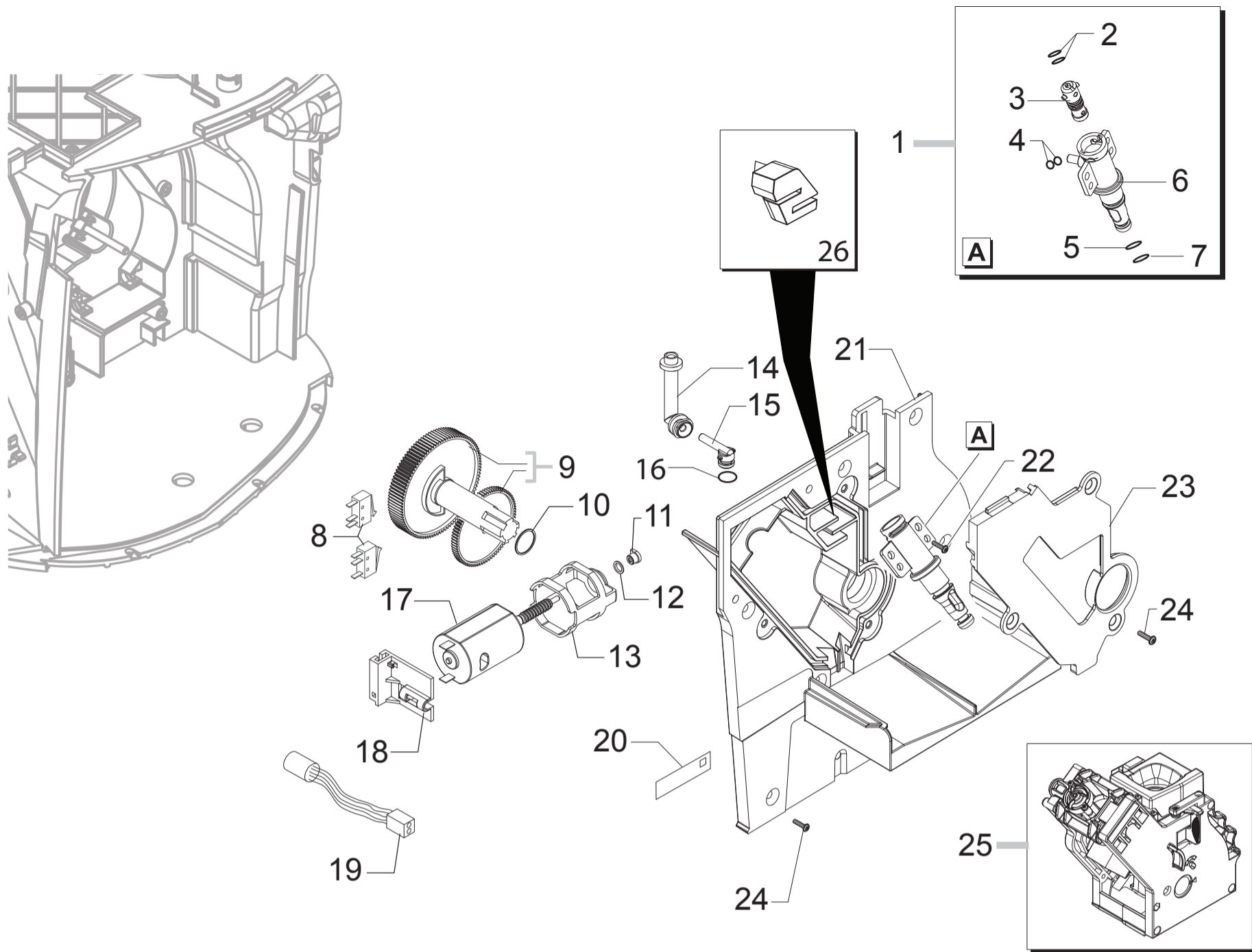
Cod.10002772-73-2826-2827  
Cod.10002828-34-66-67-68

POS	CODE	DESCRIPTION	NOTE	POS	CODE	DESCRIPTION	NOTE
01	9141.001	BRASS INCREMENT SCREW MC		33	129914002	SCREW TCB TORX 10 3,5X16 PLAST.ZN-B	
	11011205	TEA/ZAMA INCREASE SCREW GRINDER		34	149198350	LOWER GRINDER SUPPORT COFFEEGRINDER	
		<b>FROM S/N. 9008SA40315751</b>		35	17001921	BLK WIRING FIX INSERT FOR GRINDER BOARD	
02	149198250	UPPER GRINDER SUPPORT COFFEEGRINDER			11007416	GENERAL MOTOR MC V2 P0049 230V ASSY.	
03	140328960	NBR FDA OR METRIC 0530-15			11007417	GENERAL MOTOR MC V2 P0049 120V ASSY.	
04	146520100	BAKED CLAY GRINDER 48X28			11007418	GENERAL MOTOR MC V2 P0049 100V ASSY.	
05	127473603	STEEL PIN M4-M6 FOR INCREMENT SCREW					
		<b>UP TO S/N. 9008SA40315750</b>					
06	129574802	SCREW TCB TORX 20 M4X30 ZN-B					
		<b>FROM S/N. 9008SA40315751</b>					
07	123030300	AXIAL BEARING EKKO 342.35252					
08	140360500	FELT RING 45,4X39,4X4					
09	11026355	BLK GROUND COFF.OUTLET CONVEYOR V4 ASSY.					
10	11030459	GRY GROUND COFFEE CONT.LOWER SEAL SMART1					
11	226000300	GEAR SX Z=38 FOR GRINDER MOTION ASSY.					
12	11000513	MOTOR COFFEEGRINDER/V3.1 ASSY	230V				
	11000511	MOTOR COFFEEGRINDER/V3.1 ASSY	120V				
	11000512	MOTOR COFFEEGRINDER/V3.1 ASSY	100V				
13	149214800	CAP FOR WORM SCREW MC/V3 CENTRING					
14	129661702	SCREW TCB TORX 3,5X30 PLAST.ZN-B					
15	11002873	INSULATOR BUSH FOR GRINDER MOTOR P124					
16	11000597	COFFEE GRINDER SUPPORT SPRING P124					
17	11001826	SOUNDPROOFING COVER FOR COFGRINDER P0053					
18	11002508	UPPER GEAR SUPPORT COFFEEGRINDER P124					
19	11003446	BLACK INSERT FOR COFFEE GRINDER P0049					
20	11003784	COFFEE GRINDING ADJUSTMENT GEAR P0049					
21	11002572	GRINDER REGULATION SPRING P124					
22	11002613	LOWER GEAR SUPPORT COFFEEGRINDER P124					
23	142905450	UPPER BODY WITH COFFE.GROUND OUTLET					
24	128381800	CRINKLE WASHER 21,8X15,8X0,2					
25	123030200	RADIAL BEARING 61900.2RS1					
26	181540900	ELECTRONIC BOARD WITH SENSOR HAL506					
27	11001367	BLACK COFFEE GRINDER SUPPORT P0049					
28	149199050	SENSOR SUPPORT FOR COFF.GRIND.MOTOR					
29	128381902	GALVAN.FLAT WASH.DI=4,3 DE=14 SP=1,5					
30	123453102	SELF LOCK NUT M4 DIN 982 HIGH GALV.					
		<b>UP TO S/N. 9008SA40315750</b>					
31	128310402	GALV.WASHER UNI 8842 A4					
		<b>FROM S/N. 9008SA40315751</b>					
32	11005658	5POLES CONNECTOR MC SENSORS P0049 UL	230V				



TALEA TOUCH PLUS V2

TABLE 4/5



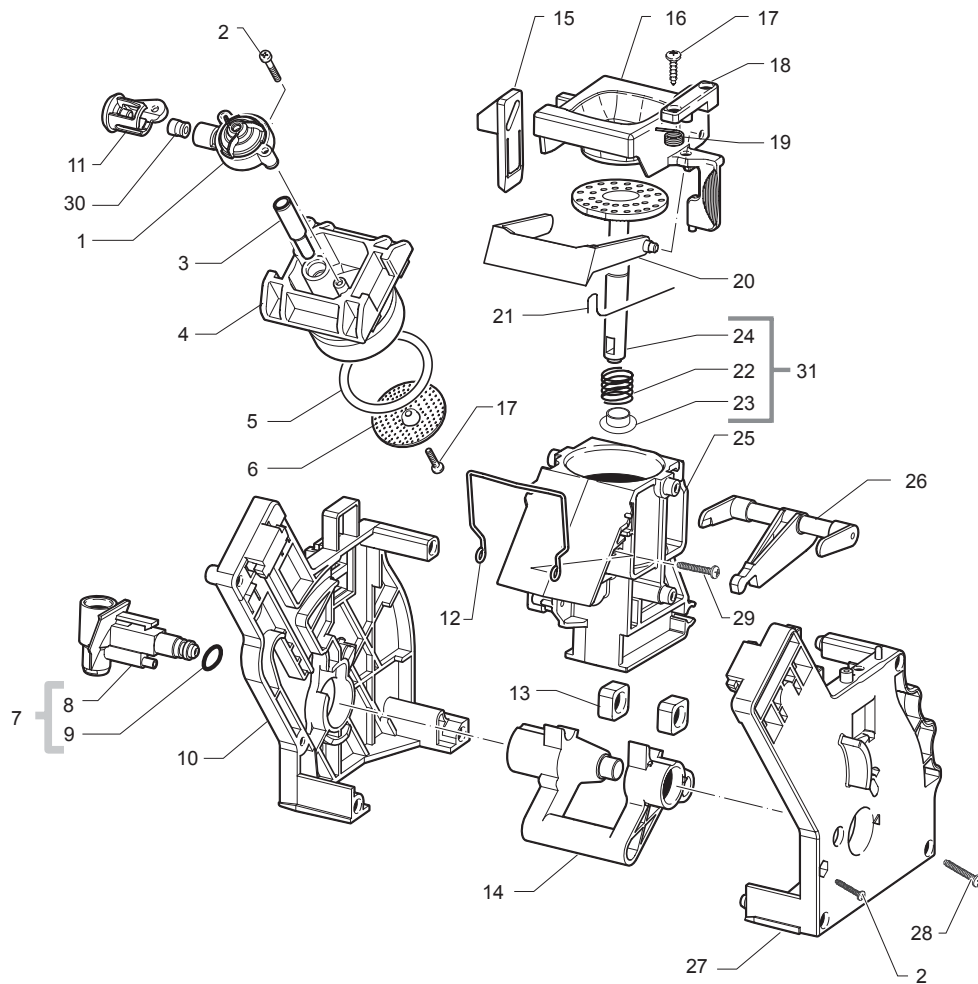
SUP032AR

RI9828/01-02-41-47



Cod.10002772-73-2826-2827  
Cod.10002828-34-66-67-68

POS	CODE	DESCRIPTION	NOTE	POS	CODE	DESCRIPTION	NOTE
01	11005113	PIN V2 FOR BOILER P049/B ASSY.					
02	140324459	OR ORM 0060-20 IN SILICONE PTFE/FDA					
03	11003820	CAP V2 FOR PIN BOILER P119					
04	140328059	OR 2015 IN SILICONE PTFE/FDA					
05	NM01.035	OR ORM 0090-20 SILICONE					
06	11003801	PIN V2 FOR BOILER P119					
07	NM01.057	OR ORM 0050-20 SILICONE					
08	NE05.038	MICROSWITCH					
09	20000900	SPARES KIT GEARS FOR RATIOMOTOR V2					
10	9161.132	MYLAR WASHER FOR RATIOMOTOR					
11	9121.046	SINTERED BUSH FOR MOTOR					
12	148380200	WASHER BAKELIZZATE D=5,5					
13	9121.044	ANTIVIBRATION FOR MOTOR					
14	11004086	VALVE DESCARGING WATER 90° CONNECTOR					
15	11003648	COVER DESCARGING WATER 90° CONNECTOR					
16	140325462	OR METRIC 0070-20 IN SILICONE					
17	11003037	MOTOR FOR RATIOMOTOR ASSY.					
18	11001331	BLACK MICROSWITCH SUPPORT DUMP BOX P0049					
19	11003661	REED SENSOR MK3-1A66-BV16451					
20	11000651	WATER LEVEL SENSOR BOARD P124					
21	11006337	BLACK COVER MOUNTING PLATE P0049 ASSY.					
	11009287	BLACK COVER MOUNTING PLATE P0049 UL ASSY.					
22	129914002	SCREW TCB TORX 10 3,5X16 PLAST.ZN-B					
23	11001312	BLACK COVER FOR VAIN BOILER P0049					
	11009284	BLACK COVER FOR VAIN BOILER P0049 UL					
24	129914102	SCREW TSP TORX 10 3,5X12 PLAST.ZN-B					
25	11005921	BLACK BREW UNIT 8GR.V2 P124/SBS					
		<b>SEE EXP.COD.E90060 NEXT PAGE</b>					
26	11022216	PROT.COP.PIAS.MONT.P0049 NER.					



**Saeco** SUP030-032  
INTERNATIONAL GROUP



Cod. 11005921

POS	CODICE	DESCRIZIONE	NOTE
01	11010660	AS.VALVOLA SAECO BREWING SYSTEM STD	
02	12000550	VITE TCB 3X25 PLAST.INOX	
03	11009276	TUBO X CONTROPIST.GRUPPO S0053 NERO	
04	11001840	CONTROPISTONE GRUPPO P124 8GR. NERO	
05	NM01.044	OR ORM 0320-40 IN SILICONE PTFE/FDA	
06	9161.268	DOCCIA DE=35,8 ELFO	
07	20000440	GRUPPO RICAMBIO MANICOTTO NERO	
08	9161.064.050	MANICOTTO ENTRATAACQUA GRUP.CAFFE.NERO	
09	NM02.007	OR 2025 TERMOIL	
10	9161.375.050	PIASTRA POSTERIORE GRUPPO SMART NERO	
11	145899250	INSERTO CENTRAGGIO RAC.USCITA CAF.P124	
12	11001556	MOLLA RASATORE H=49 X GRUPPO CAF.SMART	
13	9161.094.050	BLOCCHETTO FORATO GRUP.CAFFE' PA/NERO	
14	9161.066.050	ALBERO A GOMITO X GRUPPO NERO	
15	9161.373.050	PIASTRINA AGGANCIAMENTO GRUP.CAF.SMART NERO	
16	149261350	TRAMOGGIA GRUPPO CAFFE' SMART1 NERO	
17	12000895	VITE TSP 3X10 PLAST.INOX	
18	9161.374.050	PIASTRA FISS.TRAMOG. GRUP.CAF.SMART NERO	
19	9161.378	MOLLA TRAMOGGIA GRUPPO CAFFE' SMART	
20	11004161	RASATORE X GRUPPO CAFFE' NERO	
21	9161.046	MOLLA X RASATORE GRUPPO	
22	9161.198	MOLLA PISTONE GRUPPO CAFFE' M5000	
23	9161.191	BOCCOLA PISTONE GRUP.CAFFE.M5000 NEUTRO	
24	11003077	AS.PISTONE INTEGRALE GRUP.P124 8GR.NERO	
25	11003075	AS.CONT.CAF.C/BOCC.SALD.GRUP.P124 8G.NER	
26	11003078	BIELLA X GRUPPO P124 8GR.NERO	
27	11005920	PIASTRA ANT.GRUPPO SMART S/F.NER.SER.NEW	
28	12000897	VITE TCB 3,5X20 PLAST.INOX	
29	129912521	VITE TCBR 3,5X14 PLAST.INOX	
30	145857962	GUARNIZ.INSERTO RACC.USCITA CAF.P124 NER	
31	11023086	AS.GEN.PISTONE INTEGR.GRUP.CAF.8GR.NER.	
	11005921	GRUPPO CAFFE' V2 P124/SBS 8GR.NERO	

POS	CODE	DESCRIPTION	NOTA
01	11010660	SAECO BREWING SYSTEM VALVE STD ASSY.	
02	12000550	SCREW TCB TORX 10 3X25 PLAST.SS	
03	11009276	TUBE FOR COUNTER PISTON BREW UNIT S0053	
04	11001840	BLACK COUNTER PISTON BREW UNIT 8GR.P124	
05	NM01.044	OR ORM 0320-40 IN SILICONE PTFE/FDA	
06	9161.268	PERCOLATOR DE=35,8 ELFO	
07	20000440	BLACK SPARE SLEEVE UNIT	
08	9161.064.050	BLACK WATER INLET SLEEVE BREW UNIT	
09	NM02.007	OR 2025 TERMOIL	
10	9161.375.050	BLACK REAR PLATE FOR BREW UNIT SMART	
11	145899250	CONNECTION COFFEE FOR P124 GROUP	
12	11001556	SPRING H=49 FOR COFFEE BREW UNIT SMART	
13	9161.094.050	BLACK DRILLED BLOCK BREW UNIT	
14	9161.066.050	ELBOW SHAFT FOR UNIT BLACK	
15	9161.373.050	BLACK COUPLING PLATE BREW UNIT SMART	
16	149261350	BLACK HOPPER DOSER BREW UNIT SMART1	
17	12000895	SCREW TSP TORX 10 3X10 PLAST.SS	
18	9161.374.050	BLACK HOPPER BLOCKING PLATE UNIT SMART	
19	9161.378	SPRING HOPPER SMART BREW UNIT	
20	11004161	BLACK SCRAPER FOR COFFEE UNIT	
21	9161.046	SPRING FOR UNIT SCRAPER	
22	9161.198	PISTON SPRING BREW UNIT M5000	
23	9161.191	NEUTRAL PISTON BUSH BREW UNIT M5000	
24	11003077	BLACK INTEGRAL PISTON UNIT P124 8GR.ASS	
25	11003075	BLACK COFFEE CONTAINER BREW UNIT P124	
26	11003078	BLACK CONNECTING ROD FOR UNIT P124 8GR.	
27	11005920	BLACK FRONT PLATE BREW UNIT SMART S.SCR.	
28	12000897	SCREW TCB TORX 10 3,5X20 PLAST.SS	
29	129912521	SCREW TCBR TORX 10 3,5X14 PLAST.SS	
30	145857962	BLACK INSERT SEAL P124	
31	11023086	BLK 8GR.BREW UNIT NTEGR.PISTON GEN.ASSY.	
	11005921	BLACK BREW UNIT 8GR.V2 P124/SBS	