

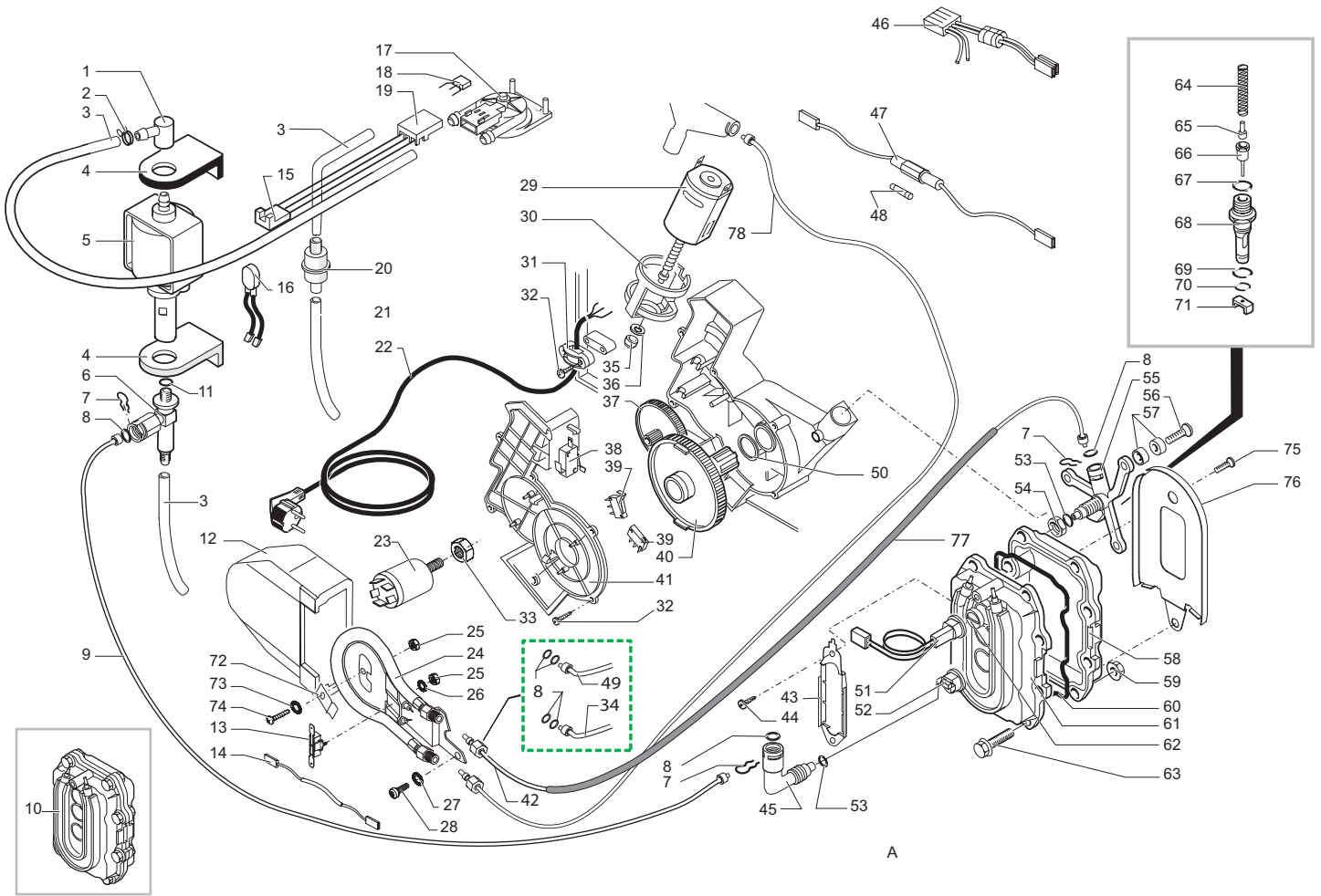
Saeco SUP 018 CR
INTERNATIONAL GROUP



Cod. 741433-39-43
Cod. 1000236

POS	CODE	DESCRIPTION	NOTE	POS	CODE	DESCRIPTION	NOTE
01	222820341 11000169	SILVER COVER M5000-COMTESSE COVER M5000-COMTESSE/UL SILVER	J	37	147756600	ELECTRONICS BOARD PROTECTION M5000	
02	0701.031.150	SEAL COVER GREY		38	127390100	BRUSH FOR CLEANING	
03	145842900	WATER CONTAIN.VALVE SEAL GACO DIM14		39	0311.017.050	BLACK SUPPORT FOR ELECTRONIC CARD M5000	
04	129535721	SCREW TSP3,5X9,5 DIN 7982 SS		40	U140.004	PANELVIT TCB 3,0X12 DIN 7505 B GAL	
05	0324.005.580	WATER CONT.LID M5000-COMTES.SILVER		41	181567458	ELECT.BOARD CA M5000-SUPVAP 230V	WITH ALUM. BOILER
06	0701.014.150	SEAL CONTAINER GREY			181567455	TERM. BOARD FOR CA M5000-SUPVAP 120V	WITH ALUM. BOILER
07	0312.022	SEAL FOR VALVE CONTAINER			286474358	SPARES KIT ELEC.PARTS M5000/RS.230V	WITH AL.BO.WITH RES
08	U143.007	SCREW TORX TCB 2,9X19 SS BUR			181554355	ELECTR.BOARD CA M5000-RAPSTEAM 120V	WITH AL.BO.WITH RES.
09	222693880 222694080	TRANSP/GREY WATER CONTAINER M5000 ASSY. WATER CONTAINER AS.M5000 TRANS/GREY	J	42	9161.220	SPRING FOR FUNCTION BUTTON	
10	140324362	OR METRIC 0060-30 IN SILICONE		43	0324.002.380	MET.BLACK FUNCTION BUTTON M5000-COMTES.	
11	126764718	SPRING FOR WATER CONTAINER VALVE		44	NE03.029	ROLD SWITCH CM E1058	230V
12	147660562	GREY WATER VALVE CONTAINER PISTON			186076255	UNIP. SWITCH ROLD 120V CM A1058	120V
13	0311.A03.580 11000136	SILVER CASING M5000 + FEET ASSY. CASING AS.M5000/UL + FEET SILVER	WITH PART. N°15-17-19 WITH PART. N°15-17-19	45	U140.009	PANELVIT TCB 3,0X16 DIN 7505 B GAL	
14	0311.004.580	SILVER GROUNDS CONTAINER M5000		46	0324.003.380	ON/OFF BUTTON M5000-COMT.MET.BLACK	
15	9991.105	MAGNET D.9MM		47	224883441	FR.PAN.M5000 COMTES.SILV.S/SCR.SV	
16	0311.020	BRACKET FOR DOOR CLOSURE		48	0311.016.380	DOSE ADJUSTMENT KNOB M5000 METBLACK	
17	147622850	BLACK FOOT		49	145850100	ADH. SEAL FRONT FUSTEL.PLA. M5000	
18	228993041 228991641 228995641	DOOR M5000 SILV.S/SCREEN CAF.CREMA DOOR M5000 SILVER S/SCR.VIEN.DELUX DOOR M5000 SILVER S/SCR.CAFE'GRANO+		50	13000030	UPPER INSERT POLYSTIR.BOX M5000	
19	145894700	ROTATING RING RETAINING INSERT		51	13000031	LOWER INSERT POLYSTIR.BOX M5000	
20	147715659	COFFEE DOSE ADJUST. KNOB M5000	X CA REGUL. DOSE	52	178505100	DISPLAY BOX SAECO M5000 CAFE'	
21	222711580 222710780	BEAN CONT.W/O SLOTS+DOS.ADJUST.M5000 ASS B.CONT.AS.W/SLOT W/O DOS ADJ. M500	VIENNA DE LUXE CAFE' CREMA 120V		178505000	DISPLAY BOX SAECO M5000 VIENNA	
22	142713780	BEAN CONT. W/SLOTS W/ DOS REG. S50		53	165937700	INSTRUC.MANUAL NEUTRAL TYP SUP018CR	
23	129517103	SCREW TCB3,5X38,1 DIN 7981 GALV		54	0324.007.580	SUPPLEMEN.LID M5000-COMTESSE SILVER	J
24	0311.022.380	METAL/BLACK FIXED DISPENSING CHANNEL			11000170	SUPPLEMEN.LID M5000-COMTESSE/UL SILVER	120V
25	0311.011.380	METAL/BLACK MOBILE DISPENSING CHANNEL		55	147755280	BEAN CONT. PROT. + DOS ADJUST S500	WITH PART. N°57
26	0311.012.380	DISPENSING SUPPORT METALLIZAT.BLACK		56	224640200	EXTERNAL FILTER FOR WATER CONTAINER ASSY	
27	147622150	BLACK FOOT FOR REVOLVING RING		57	140328461	EPDM OR METRIC 0190-10	
28	220380159	ROTATING RING ASS.GREY/BLACK FEET	WITH PART. N°27				
29	0324.004.580	COFFEE CONT.LID M5000-COMTES.SILVER					
30	9141.051.490	GRINDING ADJUSTMENT KNOB					
31	U109.029	SCREW AUT.TCB 3,5X32 DIN 7981 C					
32	9161.270	SEAL FOR COFFEE CONTAINER					
33	146001850	COFFEE DOSE ADJ.GEAR BLACK M5000	X CA REGUL. DOSE				
34	146000850	GEAR COFF. GRIND. ADJUSTMENT COMBI					
35	0311.010.380	GRATE M5000 METALIZED BLACK					
36	0311.005.580	SILVER DRIP TRAY M5000					

Saeco SUP 018 CR
INTERNATIONAL GROUP



Saeco SUP 018 CR
INTERNATIONAL GROUP

ALUMINUM BOILER
UP TO S/N. 9003SA40336785



Cod. 741433-39-43
Cod. 1000236

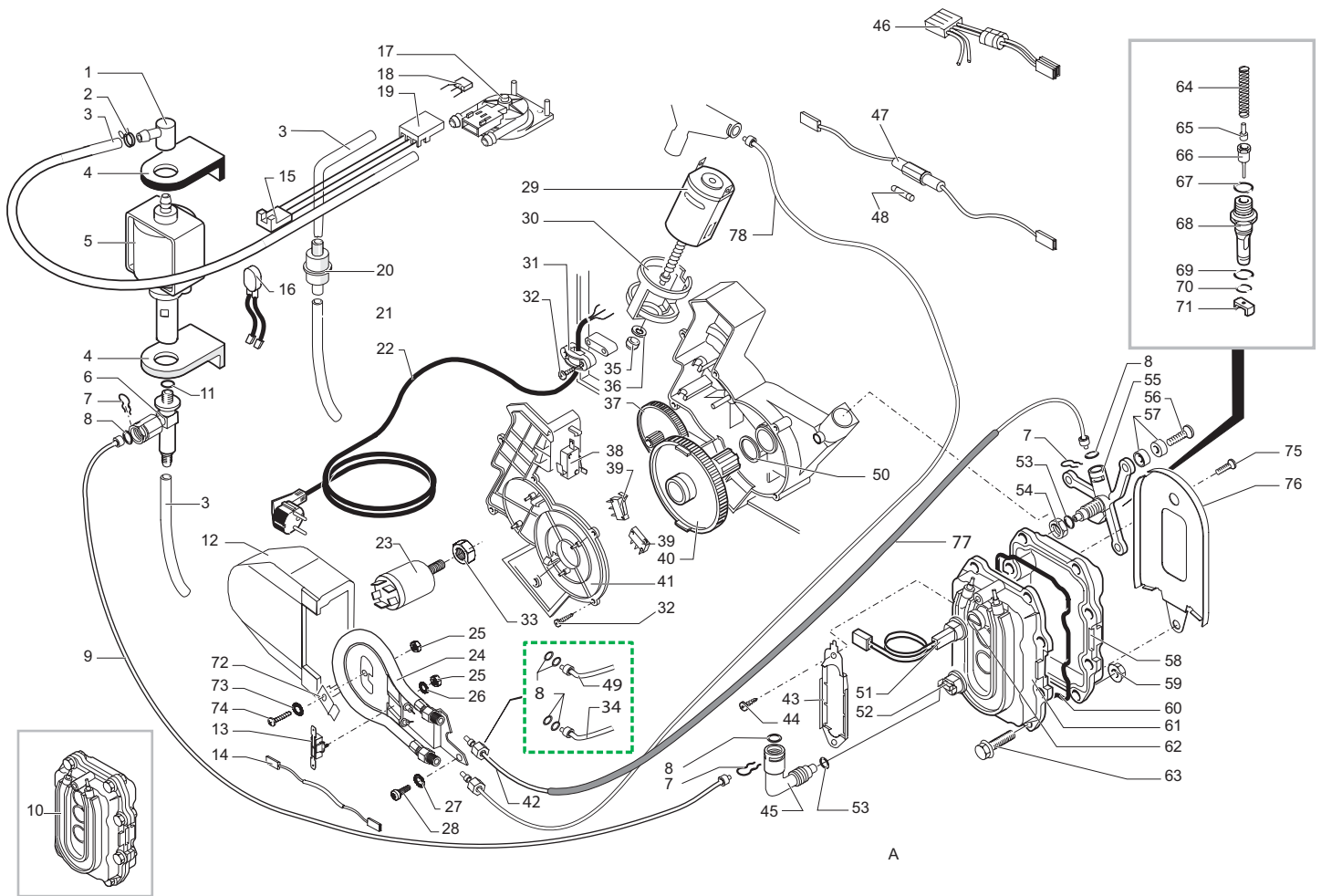
POS	CODE	DESCRIPTION	NOTE	POS	CODE	DESCRIPTION	NOTE
01	147920150	90°CONNECTOR PUMP INLET		24	288140458	HEATING-ELEMENT BLECKMAN ASSY.	230V-1000W
02	184320200	SPRING HOSE CLAMP D=9,5MM			288140455	HEATING-ELEMENT BLECKMAN ASSY.	120V-1000W
03	149360200	SILICONE TUBE 5X8 70SR IN ROLL			288140454	HEATING-ELEMENT BLECKMAN ASSY.	100V-1000W
04	149185850	EATON PUMP SUPPORT MAGIC 4002012		25	U302.003	NUT HEXAGONAL M4 UNI 5588	
05	12000140	ULKA PUMP EP5/S GW	230V-50HZ	26	128420102	ELASTIC WASHER UNI 1751 B4 GALV	
	12000131	ULKA PUMP EP5/S	120V-60HZ	27	128310504	WASHER UNI 8842 A5 BURN.	
	12000130	ULKA PUMP EP5/S GW	100V-50/60HZ	28	129575902	SCREW TAPT M5X16 DIN 7985 ZNP	
06	229451300	PUMP SAFETY VALVE D=8 ULKA PUMP		29	286891458	GENER.ASS.MOTOR 230V FOR RATIOMOTOR	WITH PART. N°30-46
07	9011.144	FORK FOR TUBE D.4			286891454	GENER.ASS.MOTOR 100V FOR RATIOMOTOR	WITH PART. N°30-46
08	140328059	OR 2015 IN SILICONE PTFE/FDA		30	9121.044	ANTIVIBRATION FOR MOTOR	
09	227871900	CONNECTOR AS. TEFLON 2X4 L=250 MM		31	148600600	CABLE CLAMP V0 MAGIC ESP COMBI UL	
10	286472858	SPARES KIT AN/BOIL+SENS.CAB.M5000/F	OTHER COUNTRY	32	129670202	PANE. TCB SCREW 3,5X16 TESTA D=8 Z	
	286473058	SPARES KIT AN/BOIL+SENS.AS.M5000V2F	WITH PART. N°58-61	33	123453602	FLANGE NUT M8 TOOTHED BASE GALV.	
	286473055	SPARES KIT AN/BOIL+SENS.AS.M5000V2F	WITH PART. N°58-61	34	227872600	TEFLON TUBE 2X4 L=275 MM ASSY	
	286472854	SPARES KIT AN/BOIL+SENS.CAB.M5000/F		35	9121.046	SINTERED BUSH FOR MOTOR	
	140321961	OR 2031 IN TERMOIL		36	148380200	WASHER BAKELIZZATE D=5,5	
11	140321961	OR 2031 IN TERMOIL		37	9121.042	GEAR Z.12/90	
12	147755100	HEAT.ELEMENT PROT.BLECKMANN M5000		38	NE05.042	MICROSWITCH	
13	189428300	THERMOSTAT 175° INTERCONTR.161471002		39	NE05.038	MICROSWITCH	
14	183440800	CABLE 1 WIRE SILIC.BLACK THERM/FUSE 229°	230V	40	9121.068.150	GEAR Z=108 FOR MOUNTING PLATE M5000	
	183441062	CABLE 1WIRE SILICON.BLACK AWG18+TH/FUSE	120V	41	9161.200.920	TRANSPARENT LID FOR RATIOMOTOR M5000	
15	283542200	3 POLES CONNECTORS TURB.M5000 ASSY.		42	227875300	CONNECTOR AS.TEFLON 2X4 L=275 MM	
16	0311.807	YELLOW HARNESS KLIXON JP 13	230V	43	126836517	STEEL SPRING RETAIN.3 THE.BOIL. M5	
	289201000	THERMAL. PROTECT 120 C CABLE.125/3	120V	44	129575403	SCREW TAPT M5X10 DIN 7500C NICK	
17	286473300	-M-VDE TURBINE WITH SENSOR KIT	WITH PART. N°18	45	127914020	"BRASS 90 DEG FIT.1/8" GAS MASTER	
18		PARTICULAR NOT AVAILABLE	SEE PART. N°17	46		PARTICULAR NOT AVAILABLE	SEE PART. N°29
19	9161.018	BRACKET FOR TURBINE		47	183003662	1 STR+ SIL. CABLE BLUE 510 MM	230V
20	144650300	SUCTION FILTER GAUZE NET 500 (NEW		48	327002200	FUSE T6,3 AMP.5X20 RETARDED	120V
21	JS01.022	SILICONE TUBE 5X10 60 SHORE IN ROLL			184950200	FUSE T15 AMP.DELAYED	230V
22	183910450	POWER CABLE SCHUKO BLACK L=1500		49	227872500	TEFLON TUBE 2X4 L=530 MM ASSY	120V
	183930250	POW.CABLE CH BLACK H05+3FAST.L=1500		50	9161.132	MYLAR WASHER FOR RATIOMOTOR	
	183921360	PO.CABLE SJT3C 16AWG USA GREY.5F.L=1700		51	286472258	SENSOR KIT FOR CA M/S 5000 V2	230V
	183940250	BLACK POWER CABLE AUSTR.H05+FAST.L=1500			286472255	SENSOR KIT FOR CA M/S 5000 V2	120V
23	184651100	ANTIDISTURB FILTER 0,47X2+1000Y2+0,5L		52	189428200	THERMOSTAT 175° 1NT-08L-3794	
	184651500	ANTIDISTURB FILTER 16A FNC 1610474472A					
24	286474658	SPARES KIT BLECKMANN M5000	230V				
	286474655	UP TO S/N. 9003SA40299540					
	286474655	SPARES KIT BLECKMANN M5000	120V				
	286474654	UP TO S/N. 9003SA40299540					
	286474654	SPARES KIT BLECKMANN M5000	100V				
	286474654	UP TO S/N. 9003SA40299540					

Saeco SUP 018 CR
INTERNATIONAL GROUP

ALUMINUM BOILER
UP TO S/N. 9003SA40336785

Rev. 08 - 21/12/06

TAVOLA 2a/4



Saeco INTERNATIONAL GROUP
SUP 018 CR

ALUMINUM BOILER
 UP TO S/N. 9003SA40336785



Cod. 741433-39-43
Cod. 1000236

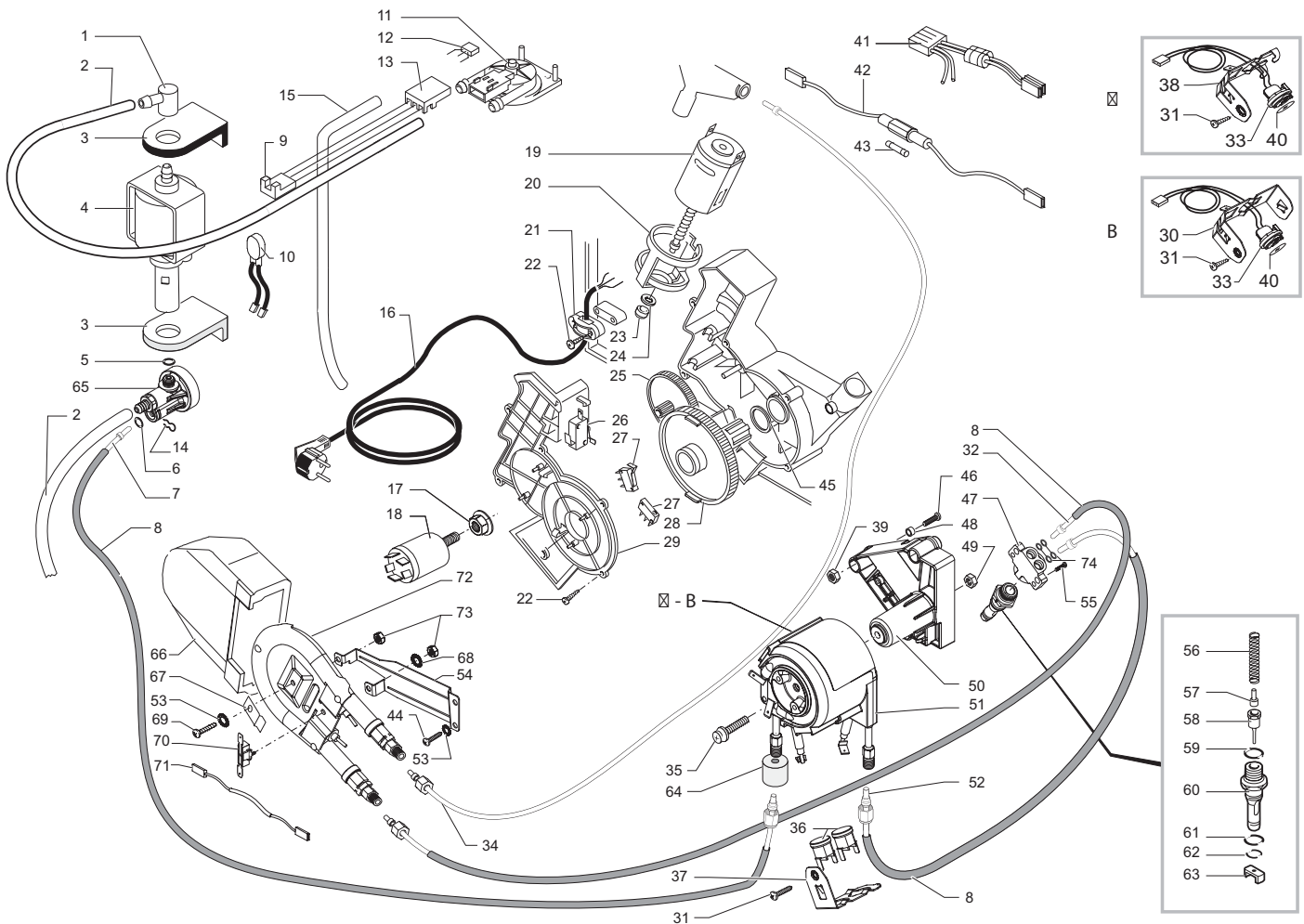
POS	CODE	DESCRIPTION	NOTE	POS	CODE	DESCRIPTION	NOTE
53	140321462	OR 2018 IN SILICONE					
54	123390420	NUT 1/8 GAS H=4.5 CH=13 BRASS					
55	9011.126	ALU.BOILER SUPPORT BRASS					
56	U044.017	SCREW TSPC M5,0X20 UNI 7688 GALV.					
57	9161.206	INSULATING SPACER FOR BOILER					
58		PARTICULAR NOT AVAILABLE	SEE PART. N°10				
59	123270102	NUT M6 FLANGED TOOTHED BASE GALV					
60	9011.129	BOILER SEAL					
	145854200	BOILER SEAL					
61		PARTICULAR NOT AVAILABLE	SEE PART. N°10				
62	11004424	ALUM.SPACER FOR PHILIPS SENSOR MAGIC					
63	U046.004	SCREW TEFZ M6,0X26 GALV.					
64	9011.132	SPRING FOR PIN					
65	227480203	BRASS/NIK.PIN FOR PISTON L=10					
66	227660103	BRASS PISTON L=20,9 ASSY.					
67	140320462	OR METRICO 0080-20 IN SILICONE					
68	9011.100	PEG FOR VALVE IN PLASTIC					
69	NM01.035	OR ORM 0090-20 SILICONE					
	140323161	OR METRIC 0090-20 IN TERMOIL	JAP				
70	NM01.057	OR ORM 0050-20 SILICONE					
	140324761	OR METRIC 0050-20 IN TERMOIL	JAP				
71	9011.099	M CURSOR FOR BOILER VALVE IN PLASTIC					
72	127535319	THERMAL FUSE FIXING PLATE					
73	128310404	WASHER UNI 8842 A4 BURNISHED					
74	129823802	TCB SCREW M4X8 UNI 7687 ZNP					
75	129740103	SCREW TSPC PH/SW 5X10 UNI 8113 NICK					
76	129024602	GUARD BRACKET HEAT ELEM.BOILER M500					
77	149361200	BLACK SILICON TUBE 7,5X9,3 IN ROLL					
78	227875700	CONNECTOR TEFLON 2X4 L=530 MM ASSY. DA MATR. 9003SA40299541					
	289433200	GEN TURB. AS.UNIFIED FOR M5000					
	289434800	GEN.TURB.AS.W/O FILTER UNIFIED M5000					

Saeco INTERNATIONAL GROUP
SUP 018 CR

ALUMINUM BOILER
 UP TO S/N. 9003SA40336785

Rev. 08 - 21/12/06

TAVOLA 2b/4



Saeco SUP 018 CR
INTERNATIONAL GROUP

ALUMINUM BOILER WITH RESIST.
FROM S/N. 9003SA40336786



Cod. 741433-39-43
Cod. 1000236

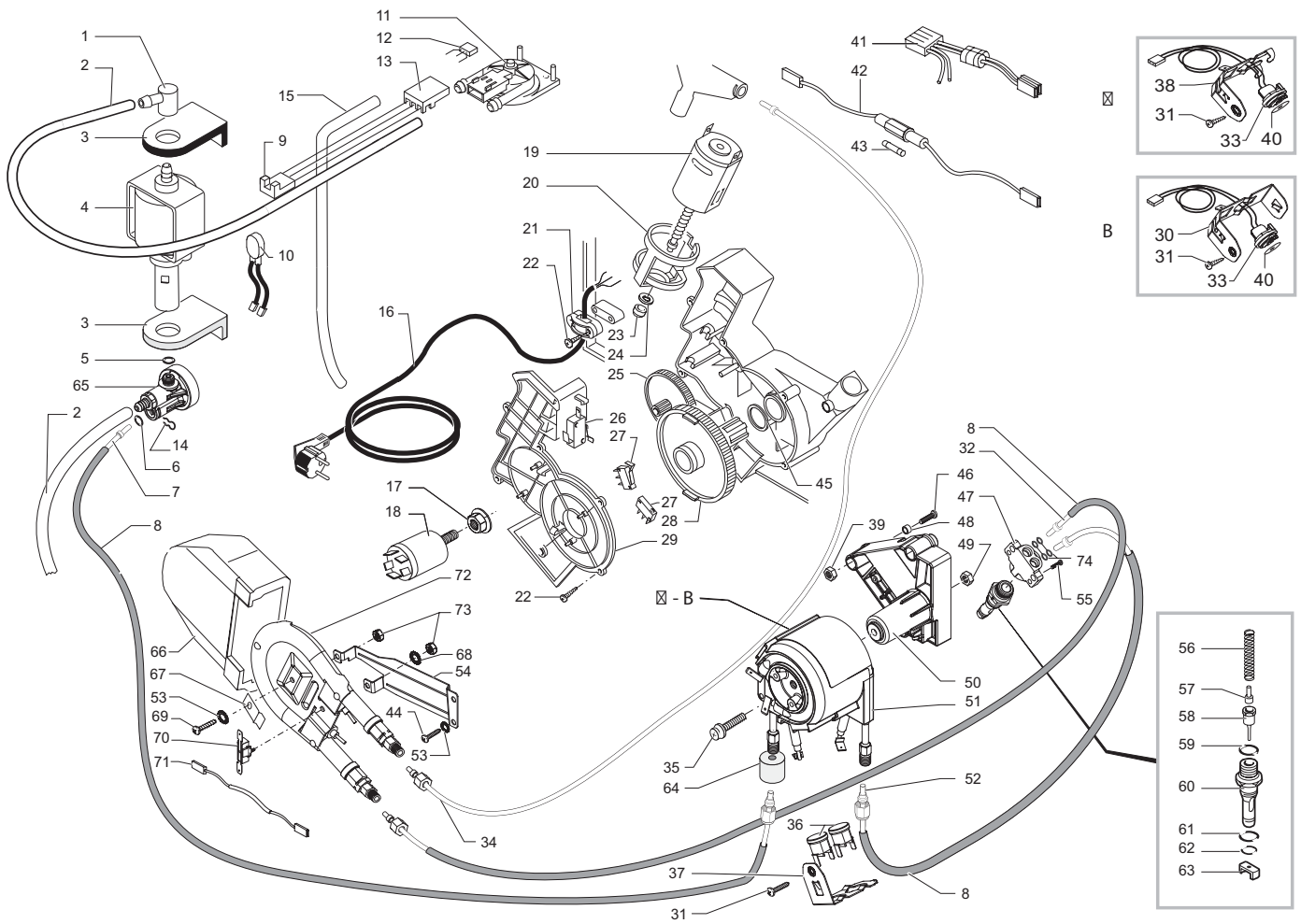
POS	CODE	DESCRIPTION	NOTE	POS	CODE	DESCRIPTION	NOTE
01	147920150	90°CONNECTOR PUMP INLET		31	129573202	SCREW TCB PH/TT 4X8 UNI 8112 ZNP	
02	149360200	SILICONE TUBE 5X8 70SR IN ROLL		32	227875300	CONNECTOR AS.TEFLON 2X4 L=275 MM	
03	149185850	EATON PUMP SUPPORT MAGIC 4002012		33	288582200	SENSOR ASS.FOR ALLUM.BOILER AS.	
04	12000140	ULKA PUMP EP5/S GW	230V-50HZ	34	11003556	CONNECTOR TEFLON 2X4 L=530 MM ASSY.	
	12000131	ULKA PUMP EP5/S	120V-60HZ	35	129932202	ROUND HEAD SCREW 10.9 M5X20 GALV	
	12000130	ULKA PUMP EP5/S GW	100V-50/60HZ	36	189428200	THERMOSTAT 175° 1NT-08L-3794	
05	140321961	OR 2031 IN TERMOIL		37	126838117	2 THERMOSTATS FIXING SPRING	
06	NM02.028	OR 2015 EPDM FDA		38	126838217	SENSOR FIXING SPRING	
07	227874900	CONNECTOR AS.TEFLON 2X4 L=250 MM		39	U310.003	NUT SELF LOCK.M5 UNI 7473	
08	149361200	BLACK SILICON TUBE 7,5X9,3 IN ROLL		40	145951600	ELECTRIC INSULATING DISK D=16	
09	283542200	3 POLES CONNECTORS TURB.M5000 ASSY.		41	PARTICULAR NOT AVAILABLE	SEE PART. N°19	
10	0311.807	YELLOW HARNESS KLIXON JP 13	230V	42	183003662	1 STR+ SIL. CABLE BLUE 510 MM	230V
	289201000	THERMAL. PROTECT 120°C CABLE.125/3	120V	43	183361062	CABLE 1 WIRE SIL.BLUE AWG18 + FUSE	100-120V
	286473300	-M-VDE TURBINE WITH SENSOR KIT	WITH PART. N°12	44	327002200	FUSE T6,3 AMP.5X20 RETARDED	230V
		PARTICULAR NOT AVAILABLE	SEE PART. N°11	45	184950200	FUSE T15 AMP.DELAYED	100-120V
	9161.018	BRACKET FOR TURBINE		46	129573402	SCREW TAPT M4X10 DIN 7985 GALV	
	9011.144	FORK FOR TUBE D.4		47	129573402	MYLAR WASHER FOR RATIONOMOTOR	
	JS01.022	SILICONE TUBE 5X10 60 SHORE IN ROLL		48	9161.132	SCREW TSP M5,0X30 UNI 7688 GALV.	
	183910450	POWER CABLE SCHUKO BLACK L=1500		49	U044.020	UP TO S/N. 9005SA40278596	
	183930250	POW.CABLE CH BLACK H05+3FAST.L=1500		50	129932502	GALVANIZDE SELF DRILLING SCREW 5X30	
	183921360	PO.CABLE SJT3C 16AWG USA GREY.5F.L=1700		51	282058858	ALUM.BOILER WITH RESISTANCE	230V-1100W
	183940250	BLACK POWER CABLE AUSTR.H05+FAST.L=1500			282058855	ALUM.BOILER WITH RESISTANCE	120V-275W
	183922060	POWER CABLE SJT3C USA GREY 5F.L1590			282058854	ALUM.BOILER WITH RESISTANCE	100V-1100W
	183980550	POWER CABLE JAPPON VCTF BLACK L=1590 MM		52	227876800	CONNECTOR TEFLON 2X4 L=235 MM ASSY.	
	11002892	GREY POWER CABLE TAIWAN HVCTF L=1440		53	128310404	WASHER UNI 8842 A4 BURNISHED	
	123453602	FLANGE NUT M8 TOOTHED BASE GALV.		54	129024802	GALV.BRACKET BOILER M5000 SUPPORT	
17	184651100	ANTIDISTURB FILTER 0,47X2+1000Y2+0,5L	230V	55	129910103	HI -LO TC SCREW 3,5X15 RIF.910189	
	184651500	ANTIDISTURB FILTER 16A FNC 1610474472A	120V	56	9011.132	SPRING FOR PIN	
	11004835	GEN.MOTOR FOR RATIONOMOTOR M5000 UL ASSY.	WITH PART. N°20-41	57	227480203	BRASS/NIK.PIN FOR PISTON L=10	
19	9121.044	ANTIVIBRATION FOR MOTOR		58	227660103	BRASS PISTON L=20,9 ASSY.	
20	148600600	CABLE CLAMP V0 MAGIC ESP COMBI UL		59	140320459	OR METRICO 0080-20 SILICON.PTFE/FDA	
21	129670202	PANE. TCB SCREW 3,5X16 TESTA D=8 Z					
22	9121.046	SINTERED BUSH FOR MOTOR					
23	148380200	WASHER BAKELIZZATE D=5,5					
24	9121.042	GEAR Z.12/90					
25	NE05.042	MICROSWITCH					
26	NE05.038	MICROSWITCH					
27	9121.068.150	GEAR Z=108 FOR MOUNTING PLATE M5000					
28	9161.200.920	TRANSPARENT LID FOR RATIONOMOTOR M5000					
29	126838017	SENSOR FIXING SPRING					
30		UP TO S/N. 9004SA40085113					

Saeco SUP 018 CR
INTERNATIONAL GROUP

ALUMINUM BOILER WITH RESIST.
FROM S/N. 9003SA40336786

Rev. 04 - 17/01/07

TAVOLA 3a/4



Saeco SUP 018 CR
INTERNATIONAL GROUP

ALUMINUM BOILER WITH RESIST.
FROM S/N. 9003SA40336786



Cod. 741433-39-43
Cod. 1000236

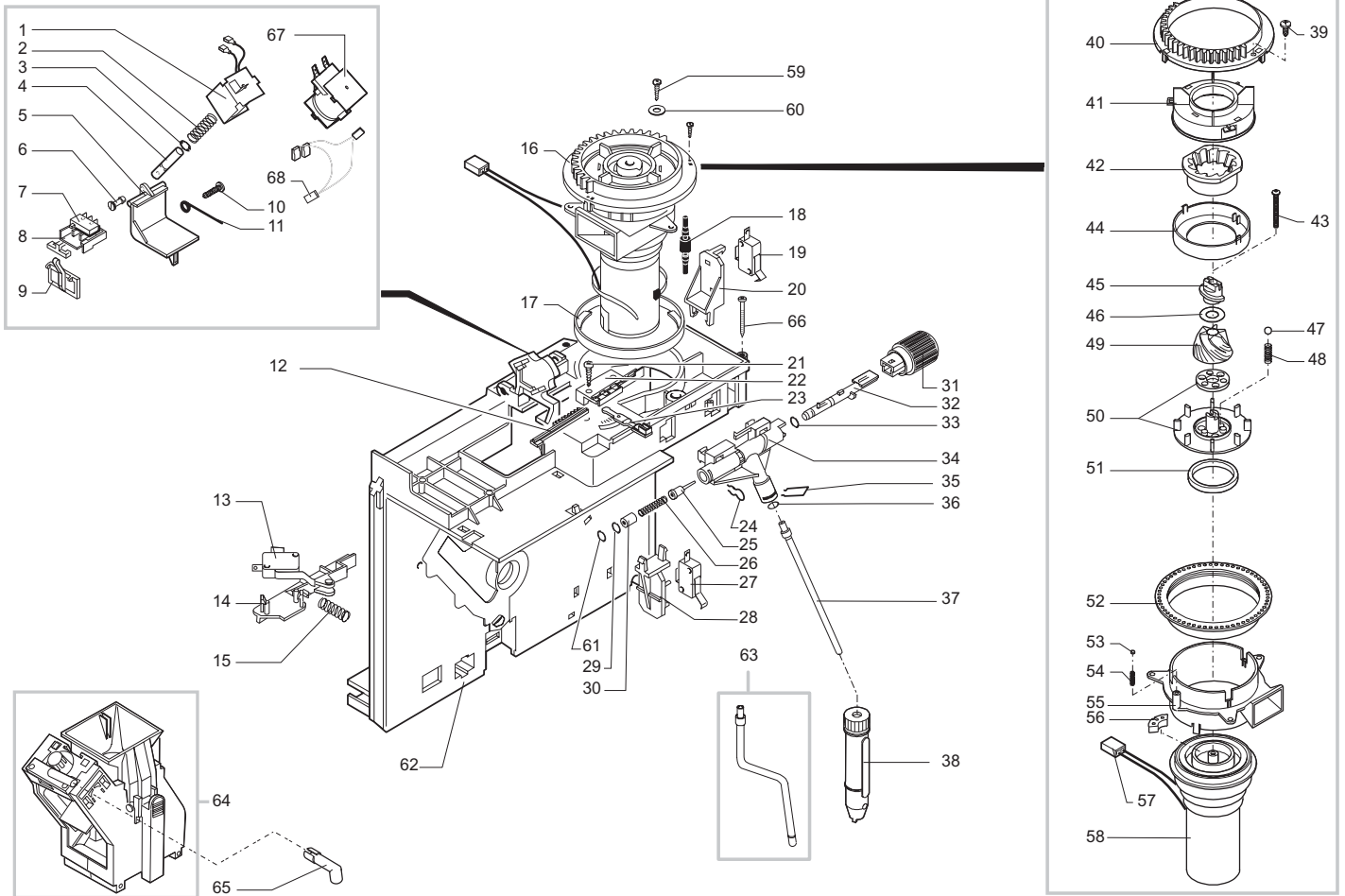
POS	CODE	DESCRIPTION	NOTE	POS	CODE	DESCRIPTION	NOTE
60	9011.100	PEG FOR VALVE IN PLASTIC					
61	NM01.035	OR ORM 0090-20 SILICONE					
62	NM01.057	OR ORM 0050-20 SILICONE					
63	9011.099	M CURSOR FOR BOILER VALVE IN PLASTIC					
64	147756562	PROTECTION FOR FOLK SPRING TUBE D=4					
65	229452100	COMPENSATION AND SAFETY VALVE 16BAR ASSY					
66	147755100	HEAT.ELEMENT PROT.BLECKMANN M5000					
67	127535319	THERMAL FUSE FIXING PLATE					
68	128420102	ELASTIC WASHER UNI 1751 B4 GALV					
69	129823802	TCB SCREW M4X8 UNI 7687 ZNP					
70	189428300	THERMOSTAT 175° INTERCONTR.161471002					
71	183440800	CABLE 1 WIRE SILIC.BLACK THERM/FUSE 229°					
72	288140458	HEATING-ELEMENT BLECKMAN ASSY.	230V-1000W				
	288140455	HEATING-ELEMENT BLECKMAN ASSY.	120V-1000W				
	288140454	HEATING-ELEMENT BLECKMAN ASSY.	100V-1000W				
73	U302.003	NUT HEXAGONAL M4 UNI 5588					
74	140328059	OR 2015 IN SILICON. PTFE/FDA					
	289433200	GEN TURB. AS.UNIFIED FOR M5000					
	289434800	GEN.TURB.AS.W/O FILTER UNIFIED M5000					
	282133558	ALUM.BOILER 230V AS.WITH RESISTANCE					
	282133555	ALUM.BOILER 120V AS.WITH RESISTANCE					
	282133554	ALUM.BOILER 100V AS.WITH RESISTANCE					

Saeco SUP 018 CR
INTERNATIONAL GROUP

ALUMINUM BOILER WITH RESIST.
FROM S/N. 9003SA40336786

Rev. 04 - 17/01/07

TAVOLA 3b/4



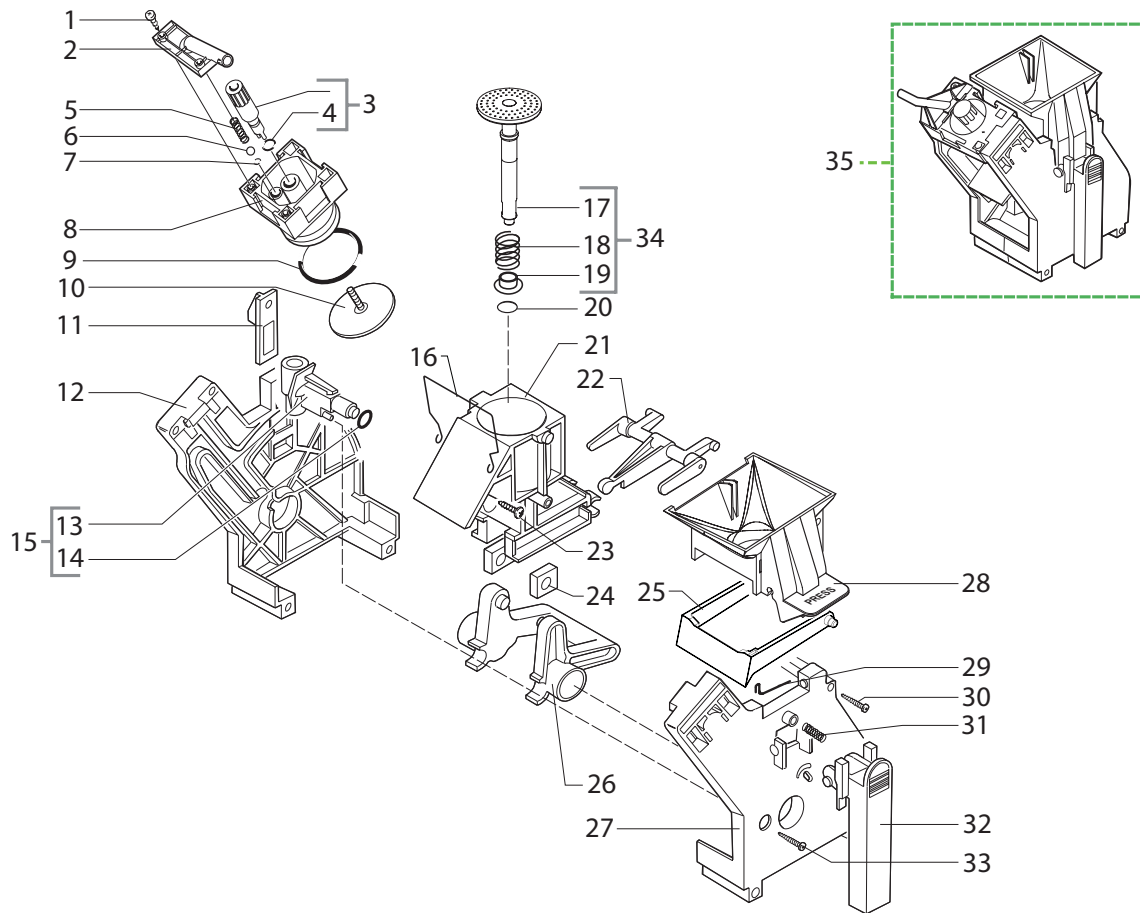
Saeco SUP 018 CR
INTERNATIONAL GROUP



Cod. 741433-39-43
Cod. 1000236

POS	CODE	DESCRIPTION	NOTE	POS	CODE	DESCRIPTION	NOTE
01	9129.A07.00A	COFFEE DOSER COIL ASS.230V UP TO S/N. 20024065687		40	148650250	SECTOR GEARGRIND ADJUSTMENT KNOB COMBI	
	283770755	V2 COFFEE DOSER COIL ASS.120V		41	149186150	BLACK UPPER GRINDER SUPPORT MAGIC	
02	126764818	SPRING ELECTROMAGN.BEAN DOSER MAGIC		42		PARTICULAR NOT AVAILABLE	SEE PART. N°49
03	U701.003	SNAP RING 7 UNI 7434		43	129931002	TORX SCREW T10 TCB 3,5X40 SX ZNG	
04	9161.041	DOSER ELECTROMAGNET CORE		44	142844550	UPPER GRINDER COVER COFFEE GRIND. MAGIC	
05	9161.074.150	DOSER DOOR GREY		45	147470763	INCREASE SCREW PIN COFFEE GRINDER MAGIC	
06	9161.076.150	DOSER DOOR PIN GREY		46	U201.002	PLAIN WASHER 10X16X0,2DIN 988 GAL	
07	NE05.017	MICROSWITCH		47	128610521	STAIL.STEEL AISI 304 SPHERE D=5,5MM	
08	149185959	BEAN DOSER MICRO SUPORT MAGIC		48	126765517	STEEL SPRING SPHERE D=5,5 MOTOR MAGIC	
09	148700559	COFFEE DOSER DOSE ADJ. SEL. GR MAG		49	226473500	KIT TECNCA GRINDERS	WITH PART. N°42
10	U140.004	PANELVIT TCB 3,0X12 DIN 7505 B GAL		50	149188750	CONICAL GRIND. SUPP. + RING MAGIC	
11	9161.048	SCRAPER ROD		51	140360200	FELT RING 40X34X5	
12	148740450	TOOTHED SLIDE FOR DOSE ADJUST GEAR		52	146570950	RING NUT FOR GRINDING ADJUSTMENT MAGIC	
13	186724100	MICROSWITCH SAIA X3M302K2KAM92AU		53	128610421	STAIL.STEEL AISI 304 SPHERE D=3,2MM	
14	9161.202.150	COMPENSATOR FOR GROUND'S MICRO		54	126770117	NEW SPRING SPHERE D=3,2 MOTOR MAGIG	
15	9161.221	SPRING GROUND.MICROSUPP.COMPENSA		55	149186350	GRINDER MOTOR SUPP.BLACK MAGIC	
16	286883758	GENER.MOTOR AS M5000 (STD/V2)	230V	56	140230400	SHOCK ABS .CONICAL GRINDER SUPP.MAGIC	
	286883755	GENER.MOTOR AS.M5000 (STD/V2)	120V	57	283544900	2POLES CONN.AS.COF.GRIN.JP1 33MH CA	230V
	286883754	GENER.MOTOR AS.M5000 (STD/V2)	100V		283542600	2 P.CONN.AS. COFF.GRIND.JP1 CA	120V
17	9141.052	COFFEEGRINDER REINFORCING RING		58	286851858	MOTOR AS.NEW MAGIC DE LUXE	230V
18	9991.103	ANTIVIBRATION FOR COFFEEGRINDER			286851855	MOTOR AS.NEW MAGIC DE LUXE	120V
19	NE05.043	MICROSWITCH			286851854	MOTOR AS.NEW MAGIC DE LUXE	100V
20	9161.207.150	SUPPORT FOR FAUCET MICRO		60	U207.004	PLAIN WASHER 4,3X16 UNI 6592 GAL	
21	129660902	PANELVIT TCB SCREW 3,5X12 D.7505 Z		61	140328161	OR D=3,85 X 1,90 IN EPDM	
	129670202	PANE. TCB SCREW 3,5X16 TESTA D=8 Z	X CA REGUL. DOSE	62	9161.249.150	MOUNTING PLATE ASSEMBL.GREY	
22	147571850	BLACK LEVER FIXING PLATE + DOSE ADJUSTM.	X CA REGUL. DOSE	63	229380908	CHROMED BREW UNIT TUBE AS.L=125,88 S5000	
	147571059	GREY LEVER FIX.PLATE W/O DOSE ADJUSTM.		64	11004181	BLACK BREW UNIT NEW M5000	
23	9161.122.150	DOSE ADJUSTMENT LEVER GREY CLASSIC				SEE EXPL. COD. E90050 NEXT PAGES	
24	9011.144	FORK FOR TUBE D.4				NOTE: FOR SINGLE PART. OF THE OLD GROUP	
25	227660103	BRASS PISTON L=20,9 ASSY.				COFFEE' GREY	
26	126765317	STEEL SPRING BOIL. PISTON MAG.9011		65	0311.023.150	SEE EXPL. COD. E90026 NEXT PAGES	
27	186723600	MICROSWITCH SAIA X3M502K2KAM92AS		66	129661402	SLEEVE FOR DISPENSER	
28	9161.208.150	SUPPORT FOR DOOR MICRO		67	9129.A23.00A	SCREW PANELVIT TCB 3X38 DIN 7505 ZN	
29	NM02.028	OR 2015 EPDM FDA				WHOLE COIL M5000/S5000 230V	
30	9991.112	BUSH FOR FAUCET				FROM S/N. 20024065688	
31	227720953	STEAM KNOB M5000 MET BLACK S/SCREE		68	289202800	THERMAL PROTECTOR 100°C CAB.145/280	
32	9161.205	STEAM TAP SHAFT				FROM S/N. 20024065688	
33	140328561	OR D=4,18 X 1,90 IN TERMOIL					
34	9161.204.G	STEAM FAUCET					
35	126764018	SPRING D=1STEAM TUBE HOLDER JUN.					
36	140324461	OR METRIC 0060-20 IN TERMOIL					
37	9011.149	STEAM TUBE ASSY.					
38	147430150	PANNARELLO AS. BLACK PLASTIC					
39	129511803	SCREW TCB 2,9X6,4 DIN 7981 NICK					

Saeco SUP 018 CR
INTERNATIONAL GROUP



Saeco® SUP 018



Cod. 11004181

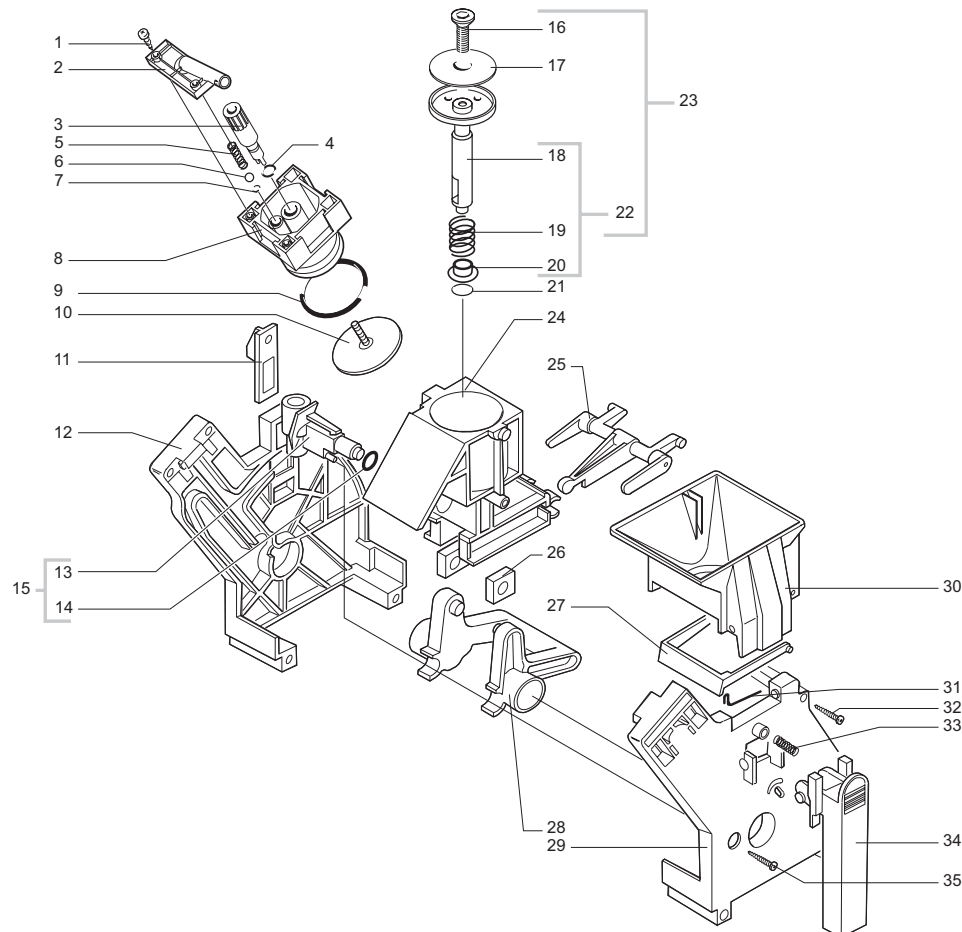
POS	CODICE	DESCRIZIONE	NOTE	POS	CODE	DESCRIPTION	NOTE
01	U140.019	PANELVIT TCB 3,0X16 DIN 7505 B INOX		01	U140.019	PANELVIT TCB 3,0X16 DIN 7505 B SS	
02	11003790	MANICOTTO USCITA CAF.GRUPPO M5000 NERO		02	11003790	BLACK COFFEE OUTLET SLEEVE	
03	227470150	AS.PERNO X DOCCIA COMPLETO NERO		03	227470150	PIN BLACK ASS.FOR PERCOLATOR	
04	NM02.006	OR R5 TERMOIL		04	NM02.006	OR R5 TERMOIL	
05	9161.222	MOLLA CONICA		05	9161.222	CONICAL SPRING	
06	9991.168	SFERA IN VETRO D.5 MM		06	9991.168	GLASS SPHERE D.5MM	
07	NM02.013	OR ORM 0080-15 TERMOIL		07	NM02.013	OR ORM 0080-15 TERMOIL	
08	11003796	CONTROPISTONE X GRUPPO CAFFE' NERO		08	11003796	BLACK COUNTERPISTON FOR COFFEE UNIT	
09	NM01.044	OR ORM 0320-40 SILICONE PTFE/FDA		09	NM01.044	OR ORM 0320-40 SILICONE PTFE/FDA	
10	9160.075	AS.DOCCIA DE=35,8 ELFO CVITE E DADO		10	9160.075	PERCOLATOR DE=35,8 ELFO ASSY.	
11	11004114	PIASTRINA X AGGANCIO GRUPPO CAFFE' NERO		11	11004114	BLACK PLATE FOR UNIT COUPLING	
12	11003792	PIASTRA POSTERIORE GRUPPO CAFFE' NERO		12	11003792	BLACK REAR PLATE FOR UNIT	
13	9161.064.050	MANICOTTO ENTRATA ACQUA NERO		13	9161.064.050	WATER INLET SLEEVE BLACK	
14	NM02.007	OR 2025 IN TERMOIL		14	NM02.007	OR 2025 IN TERMOIL	
15	20000440	GRUPPO RICAMBIO MANICOTTO NERO		15	20000440	BLACK SPARE SLEEVE UNIT	
16	11001556	MOLLA RASATORE H=49 X GRUPPO CAF.SMART		16	11001556	SPRING H=49 FOR COFFEE BREW UNIT SMART	
17	11003077	AS.PISTONE INTEGRALE GRUP.P124 8GR.NERO		17	11003077	BLACK INTEGRAL PISTON UNIT P124 8GR.ASS	
18	9161.198	MOLLA X PISTONE		18	9161.198	SPRING FOR PISTON	
19	9161.191	BOCCOLA X PISTONE NEUTRO		19	9161.191	BUSH FOR PISTON NEUTRAL	
20	NM02.018	OR METRICO 0090-25 IN TERMOIL		20	NM02.018	OR ORM 0090-25 TERMOIL	
21	11003075	AS.CONT.CAF.C/BOCC.SALD.GRUPP124 8G.NER	CON PART. N°20	21	11003075	COFF.CONT.WITH BEAR FOR BREW UNIT P124	WITH PART. N°20
22	11003078	BIELLA X GRUPPO P124 8GR.NERA		22	11003078	BLACK CONNECTING ROD FOR UNIT P124 8GR.	
23	129912521	VITE TCBR 3,5X14 PLAST.INOX		23	129912521	SCREW TCBR TORX 10 3,5X14 PLAST.SS	
24	9161.094.050	BLOCCHETTO FORATO X GRUPPO NERO		24	9161.094.050	DRILLED BLACK BLOCK FOR UNIT	
25	11004161	RASATORE X GRUPPO CAFFE' NERO		25	11004161	BLACK SCRAPER FOR COFFEE UNIT	
26	9161.066.050	ALBERO A GOMITO X GRUPPO NERO		26	9161.066.050	ELBOW SHAFT FOR UNIT BLACK	
27	11003793	PIASTRA ANTERIORE GRUPPO CAFFE' NERO		27	11003793	BLACK FRONT PLATE FOR UNIT	
28	11003795	TRAMOGGIA X GRUPPO CAFF.NERA SER.PRESS		28	11003795	BLACK HOPPER FOR PRESS UNIT	
29	9161.046	MOLLA X RASATORE GRUPPO		29	9161.046	SPRING FOR UNIT SCRAPER	
30	12000897	VITE TCB 3,5X20 PLAST.INOX		30	12000897	SCREW TCB TORX 10 3,5X20 PLAST.SS	
31	9161.045	MOLLA X IMPUGNATURA GRUPPO		31	9161.045	SPRING FOR UNIT HANDGRIP	
32	11003791	IMPUGNATURA X GRUPPO CAFFE' NERA		32	11003791	BLACK HANDGRIP FOR COFFEE UNIT	
33	12000550	VITE TCB 3X25 PLAST.INOX		33	12000550	SCREW TCB TORX 10 3X25 PLAST.SS	
34	11023086	AS.GEN.PISTONE INTEGR.GRUP.CAF.8GR.NER.		34	11023086	BLK 8GR.BREW UNIT NTEGR.PISTON GEN.ASSY.	
35	11004181	GRUPPO CAFFE' M5000 NEW NERO		35	11004181	BLACK BREW UNIT NEW M5000	

Saeco®

GRUPPO CAFFE' M5000 NEW NERO

Rev. 03 - 23/11/09

TAVOLA 1/1



**GRUPPO CAFFE' M5000
X C.A. NON SAECO (CON FORO) GRIGIO**



Cod. 225800559

POS	CODICE	DESCRIZIONE	NOTE	POS	CODE	DESCRIPTION	NOTE
01	U140.019	PANELVIT TCB 3,0X16 DIN 7505 B INOX		001	U140.019	PANELVIT TCB 3,0X16 DIN 7505 B SS	
02	0311.024.150	MANICOTTO USCITA CAF.GRUPPO M5000 GRIGIO		02	0311.024.150	GREY COFFEE OUTLET SLEEVE	
03	227470159	AS.PERNO X DOCCIA COMPLETO GRIGIO		03	227470159	PIN GREY ASS.FOR PERCOLATOR	
04	NM02.006	OR R5 TERMOIL		04	NM02.006	OR R5 TERMOIL	
05	9161.222	MOLLA CONICA		05	9161.222	CONICAL SPRING	
06	9991.168	SFERA IN VETRO D.5 MM		06	9991.168	GLASS SPHERE D.5MM	
07	NM02.013	OR ORM 0080-15 TERMOIL		07	NM02.013	OR ORM 0080-15 TERMOIL	
08	9161.193.150	CONTROPISTONE X GRUPPO CAFFE' GRIGIO		08	9161.193.150	GREY COUNTERPISTON FOR COFFEE UNIT	
09	NM01.044	OR ORM 0320-40 SILICONE PTFE/FDA		09	NM01.044	OR ORM 0320-40 SILICONE PTFE/FDA	
10	223740300	AS.DOCCIA DE=35,8 C/VITE E DADO		10	223740300	PERCOLATOR DE=35,8 ASSY.	
11	147572550	PIASTRINA X AGGANCIO GRUPPO CAFFE' NERO		11	147572550	BLACK PLATE FOR UNIT COFFE.COUPLING	
12	9161.070.150	PIASTRA POSTERIORE GRUPPO CAFFE' GRIGIO		12	9161.070.150	GREY REAR PLATE FOR UNIT	
13	9161.064.150	MANICOTTO ENTRATA ACQUA GRIGIO		13	9161.064.150	WATER INLET SLEEVE GREY	
14	NM02.007	OR 2025 TERMOIL		14	NM02.007	OR 2025 TERMOIL	
15	0301.R04.150	GRUPPO RICAMBIO MANICOTTO GRIGIO		15	0301.R04.150	SPARE SLEEVE UNIT GREY	
16	129852821	VITE TSP M3X14 UNI 7688 INOX		16	129852821	TSP SCREW M3X14 UNI 7688 SS	
17	9161.167	DOCCIA D.35,8		17	9161.167	PERCOLATOR D.35,8	
18	9161.211.050	PISTONE NUOVO NERO CON INSERTO		18	9161.211.050	NEW PISTON WITH INSERT BLACK	
19	9161.198	MOLLA X PISTONE		19	9161.198	SPRING FOR PISTON	
20	9161.191	BOCCOLA X PISTONE NEUTRO		20	9161.191	BUSH FOR PISTON NEUTRAL	
21	NM02.018	OR METRICO 0090-25 IN TERMOIL		21	NM02.018	OR ORM 0090-25 TERMOIL	
22	9161.210.050	PISTONE COMPLETO NERO X GRUPPO		22	9161.210.050	COMPLETE PISTON FOR UNIT GREY	
23	0301.R16.050	GRUPPO RICAMBIO PISTONE NUOVO NERO		23	0301.R16.050	SPARE PISTON UNIT NEW BLACK	
24	9161.195.150	CONTENITORE COMPL.X GRUPPO GRIGIO		24	9161.195.150	COMPLETE CONTAINER FOR UNIT GREY	
25	9161.065.150	BIELLA X GRUPPO GRIGIO		25	9161.065.150	CONNECTING ROD FOR UNIT GREY	
26	9161.094.050	BLOCCETTO FORATO X GRUPPO NERO		26	9161.094.050	DRILLED BLACK BLOCK FOR UNIT	
27	9161.060.150	RASATORE X GRUPPO CAFFE' GRIGIO		27	9161.060.150	GREY SCRAPER FOR COFFEE UNIT	
28	9161.066.150	ALBERO A GOMITO X GRUPPO GRIGIO		28	9161.066.150	ELBOW SHAFT FOR UNIT GREY	
29	9161.071.150	PIASTRA ANTERIORE GRUPPO CAFFE' GRIGIO		29	9161.071.150	GREY FRONT PLATE FOR UNIT	
30	9161.123.150	TRAMOGGIA X GRUPPO CAFF.GRIGIA SER.PRES.		30	9161.123.150	GREY HOPPER FOR PRESS UNIT	
31	9161.046	MOLLA X RASATORE GRUPPO		31	9161.046	SPRING FOR UNIT SCRAPER	
32	U109.026	VITE AUT.TCB 3,5X19 DIN 7981 C INOX		32	U109.026	SS.SCREW AUT.TCB 3,5X19 DIN 7981 C	
33	9161.045	MOLLA X IMPUGNATURA GRUPPO		33	9161.045	SPRING FOR UNIT HANDGRIP	
34	9161.069.150	IMPUGNATURA X GRUPPO CAFFE' GRIGIO		34	9161.069.150	GREY HANDGRIP FOR COFFEE UNIT	
35	U109.027	VITE AUT.TCB 2,9X19 DIN 7981 C INOX		35	U109.027	SS.SCREW AUT.TCB 2,9X19 DIN 7981 C	

**GRUPPO CAFFE' M5000
X C.A. NON SAECO (CON FORO) GRIGIO**

Rev. 03 - 17/01/07

TAVOLA 1/1