

Saeco SUP018M
INTERNATIONAL GROUP



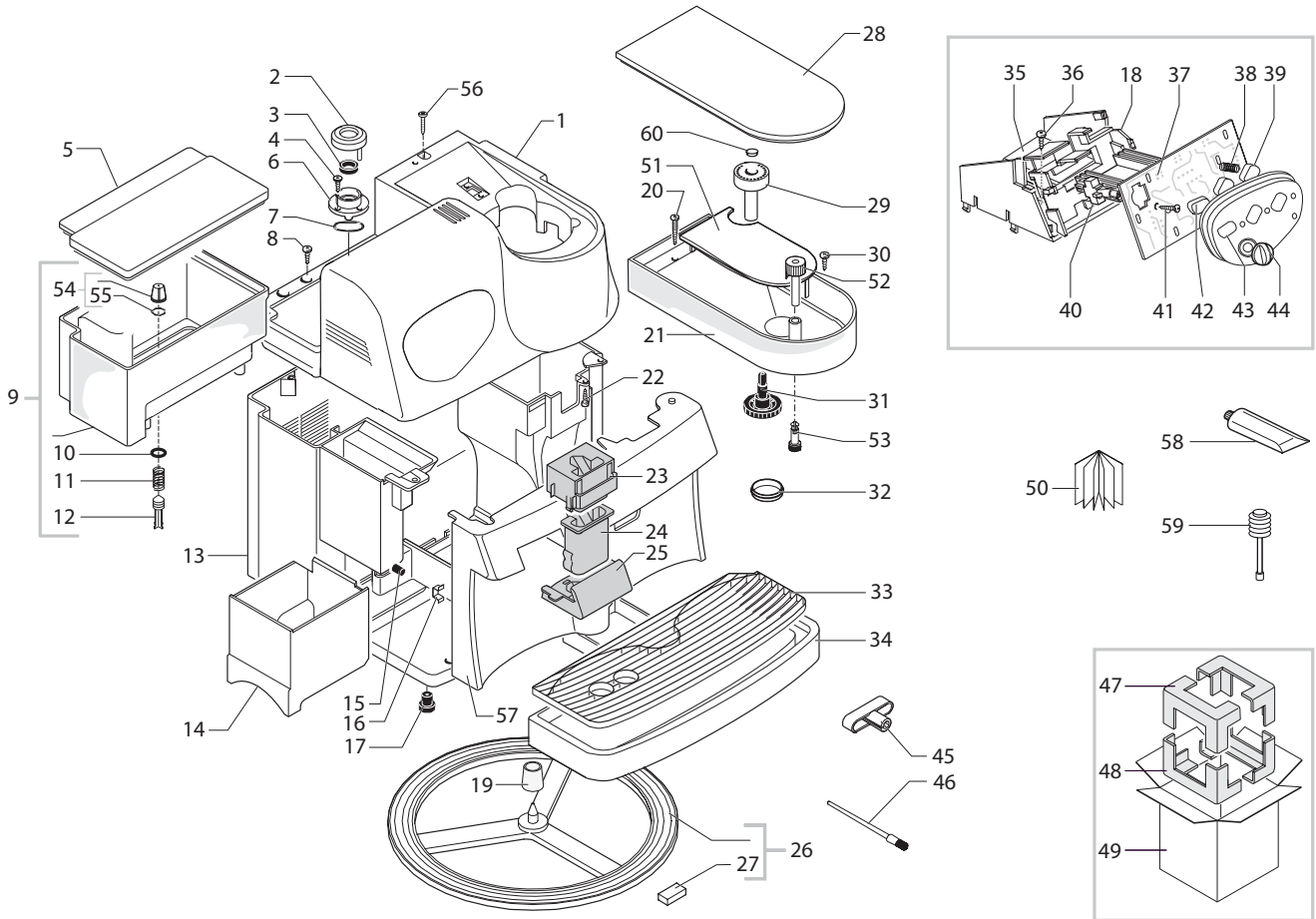
Cod. 741414-15-16-18-22-23-25-26-27-30-41-45-64-75-76
Cod. 10002885-3174-3175-3176-3177-3178-3179-3220-25-3329-3685

POS	CODE	DESCRIPTION	NOTE	POS	CODE	DESCRIPTION	NOTE
01	11006447	SILVER COVER M5000-SPIDEM		14	0311.004.600	MARB./CREAM GROUNDS CONTAINER M5000	
	11006586	SILVER COVER M5000-SPIDEM S/SCR.VIENNA			0311.004.670	GREY/3557 GROUNDS CONTAINER M5000	
	142851220	MARB/CREAM COVER M5000-SPIDEM			0311.004.730.A	DARK/BLUE GROUNDS CONTAINER M5000	
	11006446	DARK/BLUE COVER M5000-SPID.			0311.004.520.A	AMARANTH GROUNDS CONTAINER M5000	
	222820184	BLUE COVER M5000-SPIDEM			0311.004.270.A	YELLOW GROUNDS CONTAINER M5000	
	222820190	AMARANTH COVER M5000-SPIDEM			0311.004.110.A	ANTHR/GREY GROUNDS CONTAINER M5000	
	142851221	YELLOW COVER M5000-SPIDEM			11012396	MEZZANOTTE GROUNDS CONTAINER M5000	
	11006445	ANTRACITE/GREY COVER M5000-SPIDEM			11023360	MET/GREY DUMP BOX M5000	
	142851253	METAL BLACK COVER M5000-SPIDEM		15	9991.105	MAGNET D.9MM	
	142851200	GREY/7035 COVER M5000-SPIDEM		16	0311.020	BRACKET FOR DOOR CLOSURE	
	11012405	MEZZANOTTE COVER M5000-SPIDEM		17	147622850	BLACK FOOT	
	222820141	SILVER COVER M5000-SPID.		18	147756600	ELECTRONICS BOARD PROTECTION M5000	
	11006420	UNPAINTED COVER M5000-SPID.		19	145894700	ROTATING RING RETAINING INSERT	
	11021722	MEZZANOTTE COVER M5000-SPID.		20	129517103	SCREW TCB3,5X38,1 DIN 7981 GALV	
	11023334	MET/GREY COVER M5000-SPID.		21	222710980	B.CONT.AS.W/O SLOT W/O DOS ADJ M50	230V
02	0701.031.150	SEAL COVER GREY			222710780	B.CONT.AS.W/SLOT W/O DOS ADJ. M5000	120V
03	145842900	WATER CONTAIN.VALVE SEAL.GACO DIM14			142713180	B.CONT.GREY W/O SLOT W/O DOS R.S50	
04	129535721	SCREW TSP3,5X9,5 DIN 7982 SS			142713780	BEAN CONT. W/SLOTS W/ DOS REG. S50	
05	0311.008.380	METAL/BLACK WATER CONTAINER LID M5000			142713680	BEAN COFFEE CONTAINER GREY	
	0311.008.620	SPIDEM/GREY WATER CONTAIN.LID M5000		22	129670202	PANE. TCB SCREW 3,5X16 TESTA D=8 Z	
	0311.008.730	BLUE/5013 WATER CONTAINER LID M5000		23	0311.022.380	METAL/BLACK FIXED DISPENSING CHANNEL	
	0311.008.580	SILVER WATER CONTAINER LID M5000			0311.022.620	SPIDEM/GREY FIXED DISPENSING CHANNEL	
	0311.008.520.A	AMARANTH WATER CONTAINER LID M5000		24	0311.011.380	METAL/BLACK MOBILE DISPENSING CHANNEL	
	0311.008.730.A	DARK/BLUE WATER CONTAINER LID M5000			0311.011.620	SPIDEM/GREY MOBILE DISPENSING CHANNEL	
	11012394	MEZZANOTTE WATER CONTAINER LID M5000		25	0311.012.380	DISPENSING SUPPORT METALLIZAT.BLACK	
	11023362	MET/GREY WATER CONTAINER LID M5000			0311.012.620	DISPENSING SUPPORT GREY SPIDEM	
06	0701.014.150	SEAL CONTAINER GREY			11012392	MEZZANOTTE DISPENSER SUPPORT M5000	
07	0312.022	SEAL FOR VALVE CONTAINER			11022221	SILVER DISPENSER SUPPORT M5000	
08	U143.007	SCREW TORX TCB 2,9X19 SS BUR			11023366	MET/GREY COFFEE DISPENSER SUPPORT M5000	
09	222693880	TRANSP/GREY WATER CONTAINER M5000 AS.		26	220380159	ROTATING RING ASS.GREY/BLACK FEET	
	222694080	WATER CONTAINER AS.M5000 TRANS/GREY	SPIDEM TREVI JAP	27	147622150	BLACK FOOT FOR REVOLVING RING	
	140324362	OR METRIC 0060-30 IN SILICONE		28	0311.009.380	METAL/BLACK COFFEE CONTAINER LID M5000	
10	126764718	SPRING FOR WATER CONTAINER VALVE			0311.009.620	SPIDEM/GREY COFFEE CONTAINER LID M5000	
11	147660562	GREY WATER VALVE CONTAINER PISTON			0311.009.730	BLUE/5013 COFFEE CONTAINER LID M5000	
12	0311.A03.670	GREY/3557 CASING M5000 + FEET ASSY.	WITH PALN°15-17-19		0311.009.580	SILVER COFFEE CONTAINER LID M5000	
	0311.A03.580	SILVER CASING M5000 + FEET ASSY.	WITH PALN°15-17-19		0311.009.520.A	AMARANTH COFFEE CONTAINER LID M5000	
	0311.A03.600	MARB./CREAM CASING M5000 + FEET ASSY.	WITH PALN°15-17-19		0311.009.730.A	DARK/BLUE COFFEE CONTAINER LID M5000	
	0311.A03.520.A	AMARANTH CASING M5000 + FEET ASSY.	WITH PALN°15-17-19		11012395	MEZZANOTTE COFFEE CONTAINER LID M5000	
	0311.A03.730.A	DARK BLUE CASING M5000 + FEET ASSY.	WITH PALN°15-17-19		11023363	MET/GREY BEAN COFFEE CONTAINER LID M5000	
	0311.A03.270.A	YELLOW CASING M5000 + FEET ASSY.	WITH PALN°15-17-19	29	9141.051.490	GRINDING ADJUSTMENT KNOB	
	0311.A03.110.A	ANTR/GREY CASING M5000 + FEET ASSY.	WITH PALN°15-17-19	30	U109.029	SCREW AUT.TCB 3,5X32 DIN 7981 C	
	11012393	MEZZANOTTE CASING M5000 + FEET ASSY.	WITH PALN°15-17-19	31	146000850	GEAR COFF. GRIND. ADJUSTMENT COMBI	
	11003887	UNPAINTED CASING M5000 + FEET ASSY.	WITH PALN°15-17-19	32	9161.270	SEAL FOR COFFEE CONTAINER	
	11023336	MET/GREY CASING M5000 ASSY.	WITH PALN°15-17-19	33	0311.010.380	GRATE M5000 METALIZED BLACK	
14	0311.004.580	SILVER GROUNDS CONTAINER M5000			0311.010.620	GRATE M5000 GREY SPIDEM	

Saeco
INTERNATIONAL GROUP

VIENNA DLX & PL, SPIDEM TREVI

TAVOLA 1A/5



Saeco SUP018M
INTERNATIONAL GROUP



Cod. 741414-15-16-18-22-23-25-26-27-30-41-45-64-75-76
Cod. 10002885-3174-3175-3176-3177-3178-3179-3220-25-3329-3685

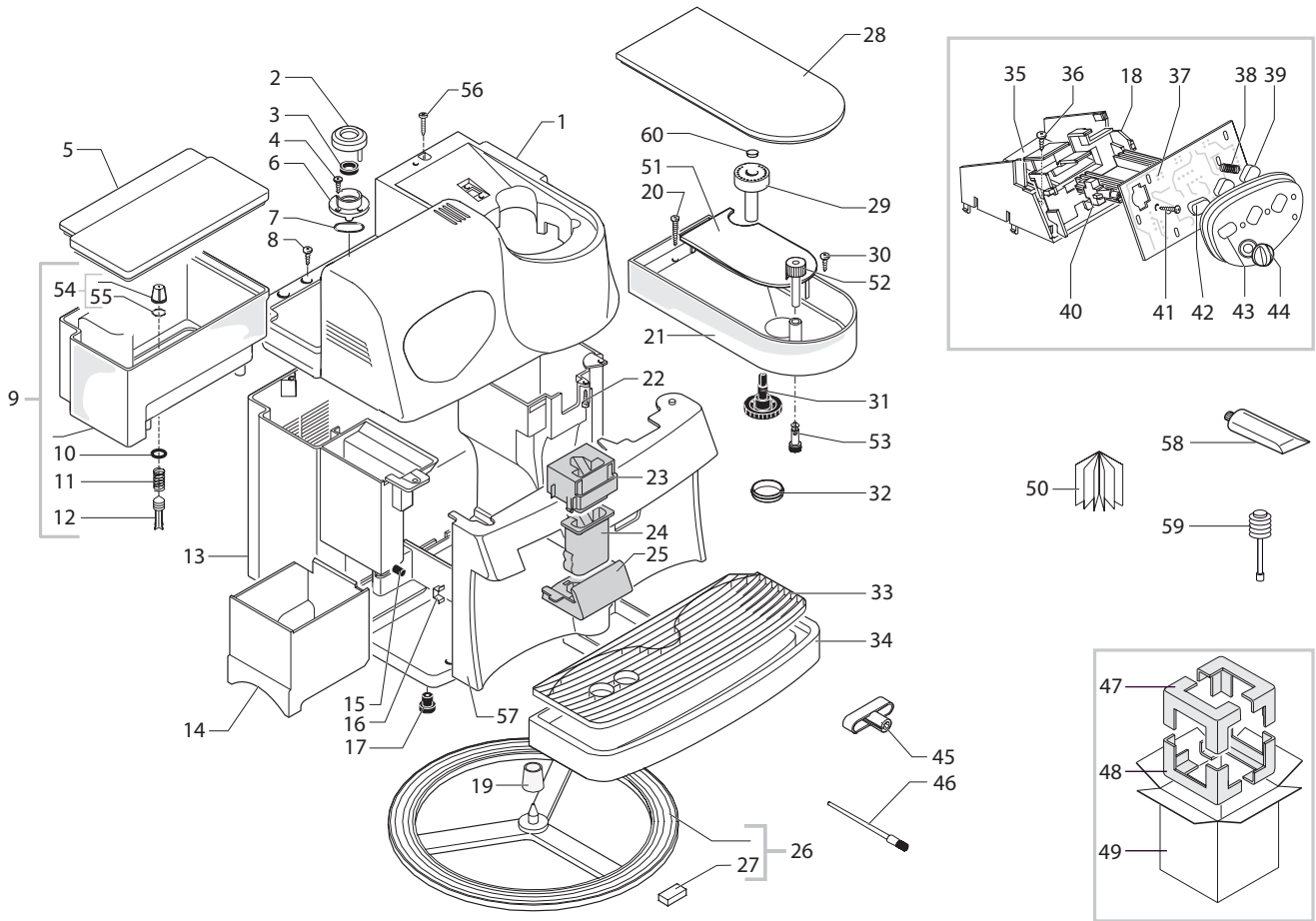
POS	CODE	DESCRIPTION	NOTE
33	0311.010.730	GRATE M5000 BLUE/5013	
	0311.010.580	GRATE M5000 SILVER	
34	0311.005.380	METAL/BLACK DRIP TRAY M5000	
	0311.005.620	SPIDEM/GREY DRIP TRAY M5000	
	0311.005.670	GREY/3557 DRIP TRAY M5000	
	0311.005.730	BLUE/5013 DRIP TRAY M5000	
	0311.005.580	SILVER DRIP TRAY M5000	
	0311.005.520.A	AMARANTH DRIP TRAY M5000	
	0311.005.220.A	CHROMED TRIP TRAY M5000	
	229631288	DRIP TRAY M5000 CHROMED	TREVI BLUE DARK
	11012409	MEZZANOTTE DRIP TRAY M5000	
	11023361	MET/GREY DRIP TRAY M5000	
	11006299	BLACK SUPP. FOR ELECTRONIC CARD M5000	
35	0311.017.150	GREY SUPP. FOR ELECTRONIC CARD M5000	
36	129660902	PANELVIT TCB SCREW 3,5X12 D.7505 Z	
37	181565558	ELECT.BOARD M5000-V2 + /PREINF.230	WITH ALUM. BOIL.
	181565555	EL.BOARD .CPU M5000-V2 W0/PREINF.1	WITH ALUM. BOIL.
37	181554658	ELECTR.BOARD M5000-V3 + PREINF.230V	WIT.AL BO.WIT.RES.
	181554655	ELECTR.BOARD M5000-V3 + PREINF.120V	WIT.AL BO.WIT.RES.
38	9161.220	SPRING FOR FUNCTION BUTTON	
39	0324.002.380	MET.BLACK FUNCTION BUTT. M5000-COMTES.	
	0324.002.620	GREY SPIDEM FUNCT.BUTT. M5000-COMTES	
	0324.002.730	BLUE/5013 FUNCTION BUTT. M5000-COMTES.	
	0324.002.580	SILVER FUNCTION BUTTON M5000-COMTES.	
40	NE03.029	ROLD SWITCH CM E1058	230V
	186076255	UNIP. SWITCH ROLD 120V CM A1058	120V
	U140.004	PANELVIT TCB 3.0X12 DIN 7505 B GAL	
42	0324.003.380	ON/OFF BUTTON M5000-COMT.MET.BLACK	
	0324.003.620	ON/OFF BUTT.M5000-COMT.GREY SPIDEM	
	0324.003.730	ON/OFF BUTTON M5000-COMT.BLUE/5013	
	0324.003.580	ON/OFF BUTTON M5000-COMTESSE SILVER	
43	224882300	GREY/7035 FRONT PAN. M5000-SPID.S/SCRE.	
	11006620	SILVER FRONT PAN. M5000-SPID.S/SCR.GREY	
	224882320	MARB/CREAM FRONT PAN. M5000-SPID.S/SCR.	
	224882353	MET/BLACK FRONT PANEL M5000-SPID.S/SCR.	
	224882384	TRANSP/BLUE FRONT PAN. M5000-SPID.S/SCR	
	224882390	AMARANT.FRONT PAN. M5000-SPID.S/SCREEN	
	224882343	DARK/BLUE FRONT PAN. M5000-SPID.S/SCRE.	
	224882321	YELLOW FRONT PAN. M5000-SPID.S/SCREEN	
	11006625	ANTHR/GREY FRONT PAN M5000-SPID.S/SCR.	
	11006626	GREY/7035 FRONT PAN M5000-SPID.S/SCRE.	
	11012398	MEZZANOTTE FRON.PAN M5000-SPID.S/SCR.	
	11021379	MEZZANOTTE FRON.PAN M5000-SPID.S/SCR.	
	224882341	SILVER FRONT PAN M5000-SPID.S/SCR.GREY	
	224882348	SILVER FRONT PAN M5000-SPID.S/SC.BLACK	

POS	CODE	DESCRIPTION	NOTE
43	11023332	GMA FRONT PANEL S/SCREEN M5000-SPID.	
44	0311.016.380	DOSE ADJUSTMENT KNOB M5000 METBLACK	
	0311.016.620	DOSE ADJUSTM.KNOB M5000 GREY SPIDEM	
	0311.016.740	DOSE ADJUSTMEN.KNOB M5000 UNPAINTED	
	0311.016.580	DOSE ADJUSTMENT KNOB M5000 SILVER	
45	142660259	GREY PHASE KEY COFFEE BREW UNIT MAGIC	
46	127390100	BRUSH FOR CLEANING	
47	175895400	UPPER INSERT POLYST.BOX M5000-SPID	
48	175894000	LOWER INSERT POLYST.BOX M5000	
49	178512200	FLEXOGRAPHATE BOX SPIDEM M5000 TREVI	
	178503300	FLEX.BOX SAECO M5000 VIA VENEZIA	
	178500700	FLEXOGRAPH BOX RIVIERA & BAR S 600	
	178505000	DISPLAY BOX SAECO M5000 VIENNA	
	178502400	FLEXOGRAPH BOX SAECO TREVI AUTOM	
	13000967	FLEXOGRAPHATE BOX SAECO VIENNA PLUS	
	13001090	FLEXOGRAPHATE BOX SAECO VIENNA PLUS	
50	165934300	INSTRUCTIONS MANUAL NEUTRAL SUP 018M	
	15001915	INSTRUCT.MANUAL NEUTRAL SUP018M GB/P	
	15001921	IN.MANUAL SUP018M SAE VIENNA PL.GB/E/P	
	15001922	INSTR.MANUAL SUP018M SAE VIENNA PL.GB/P	
	15001923	INSTR.MANUAL SUP018M SAE VIENNA PL.CHN	
51	147755280	BEAN CONT. PROT. + DOS ADJUST S500	120V
52	147715659	COFFEE DOSE ADJUST. KNOB M5000	
53	146001850	COFFEE DOSE ADJ.GEAR BLACK M5000	
54	224640200	EXTERNAL FILTER FOR WATER CONTAIN. AS.	
55	140328461	EPDM OR METRIC 0190-10	
	U140.009	PANELVIT TCB 3.0X16 DIN 7505 B GAL	
57	228991641	DOOR M5000 SILVER S/SCR.VIEN.DELUX	
	228991741	SILVER DOOR M500 S/SCR.SPIDEM TREVI	
	228991841	SILVER DOOR M5000 S/SCREEN RIVIERA	
	228991620	DOOR M5000 M.CREAM S/SCR.VIEN.DELU	
	228992284	DOOR M5000 BLUE S/SCR.SPIDEM MILLE	
	228992384	DOOR M5000 BLUE S/SCR.SAECO MILLEN	
	228992390	DOOR M5000 AMAR.S/SCR.SAECO MILLEN	
	228992290	DOOR M5000 AMAR.S/SCR.SPIDEM MILLE	
	228992186	DOOR M5000 CHROMED S/SCR.SAECO TRE	
	228992586	DOOR M5000 CHROM.S/SCR.SAECO EXCLU	
	228992686	DOOR M5000 CHROM. S/SCR.SAEC.V.VEN	
	228991721	YELLOW DOOR M5000 S/SCREEN SPID. TREVI	
	228991708	ANTHR/GREY DOOR M5000 S/SCR.SPID. TREVI	
	228993353	DOOR M5000 M/BLACK S/SCR EDITION 2	
	228994900	DOOR M5000 GREY/7011 S/SCR.TR.CHIARA	
	228992141	DOOR M5000 SILVER S/SCR. SAECO TRE	
	228992486	DOOR M5000 CHROM. S/SCR.SPIDEM EXC	
	228991720	MARB/CREAM DOOR M5000 S/SCR.SPID.TREVI	

Saeco
INTERNATIONAL GROUP

VIENNA DLX & PL, SPIDEM TREVI

TAVOLA 1B/5

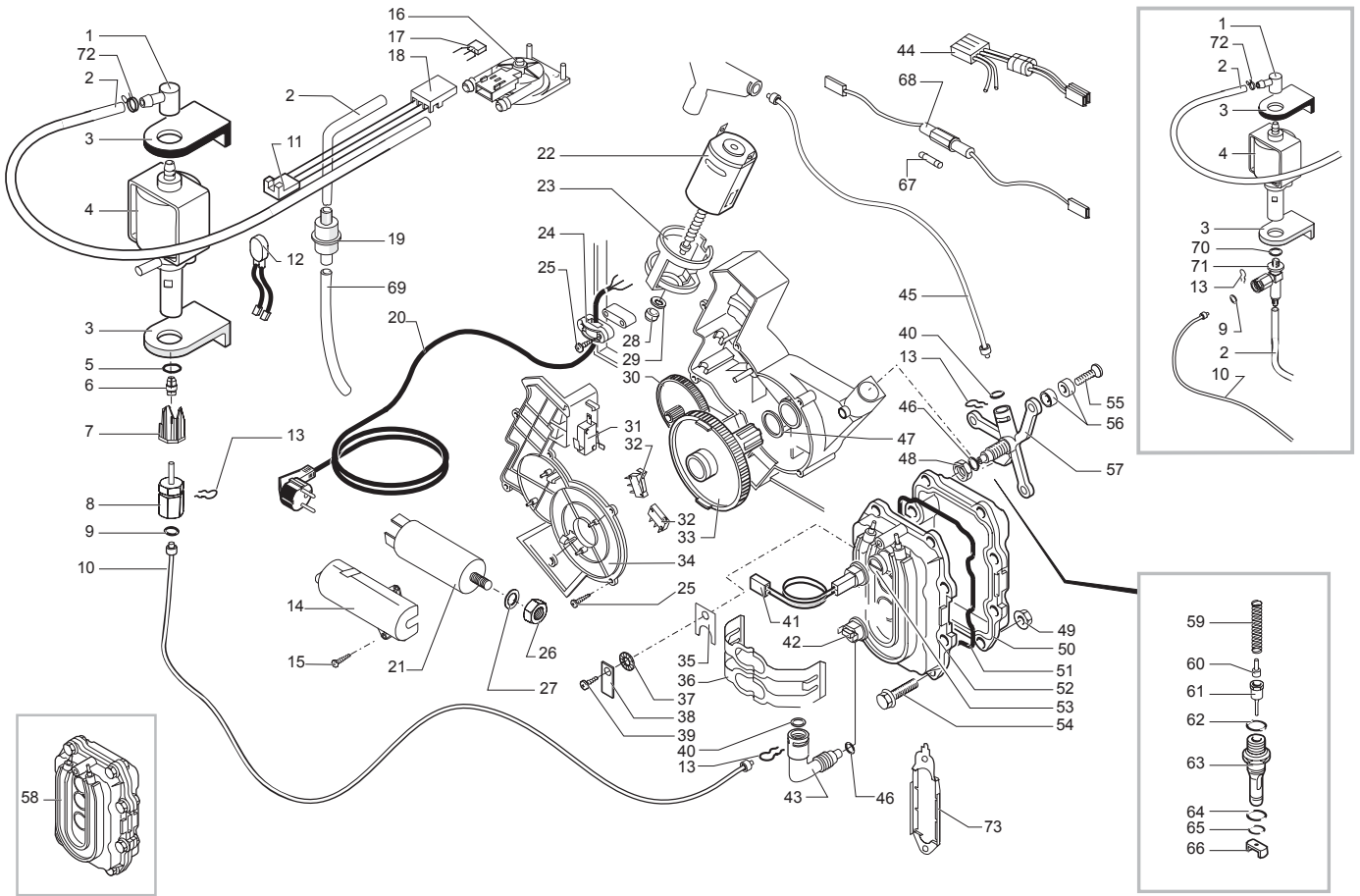


Saeco SUP018M
INTERNATIONAL GROUP



Cod. 741414-15-16-18-22-23-25-26-27-30-41-45-64-75-76
Cod. 10002885-3174-3175-3176-3177-3178-3179-3220-25-3329-3685

POS	CODE	DESCRIPTION	NOTE	POS	CODE	DESCRIPTION	NOTE
57	228991941 11012399 11021725 11022213 11023338 11005044	SILVER DOOR M5000 S/SCREEN SAECO MEZZAN. DOOR M5000 S/SCR.TREVI CHIARA MEZZANOTTE DOOR M5000 S/SCR.VIENNA PL SILVER DOOR M5000 S/SCR.VIENNA PL. SAT.MET/GREY DOOR S/S.TREVI CHIARA M5000 SAECO KLUBER TRIBOSTAR SIL 2 TUBE 5GR.					
58	147700200	LOADING PUMP DIAMETER 17 MM	ONLY TREVI 120V				
59	149212080	GREY BEAN CONT W/O DOSE ADJUST.LID M5000					



SUP018M ALUM. BOILER 230V
UP TO S/N. 9003SA40209422

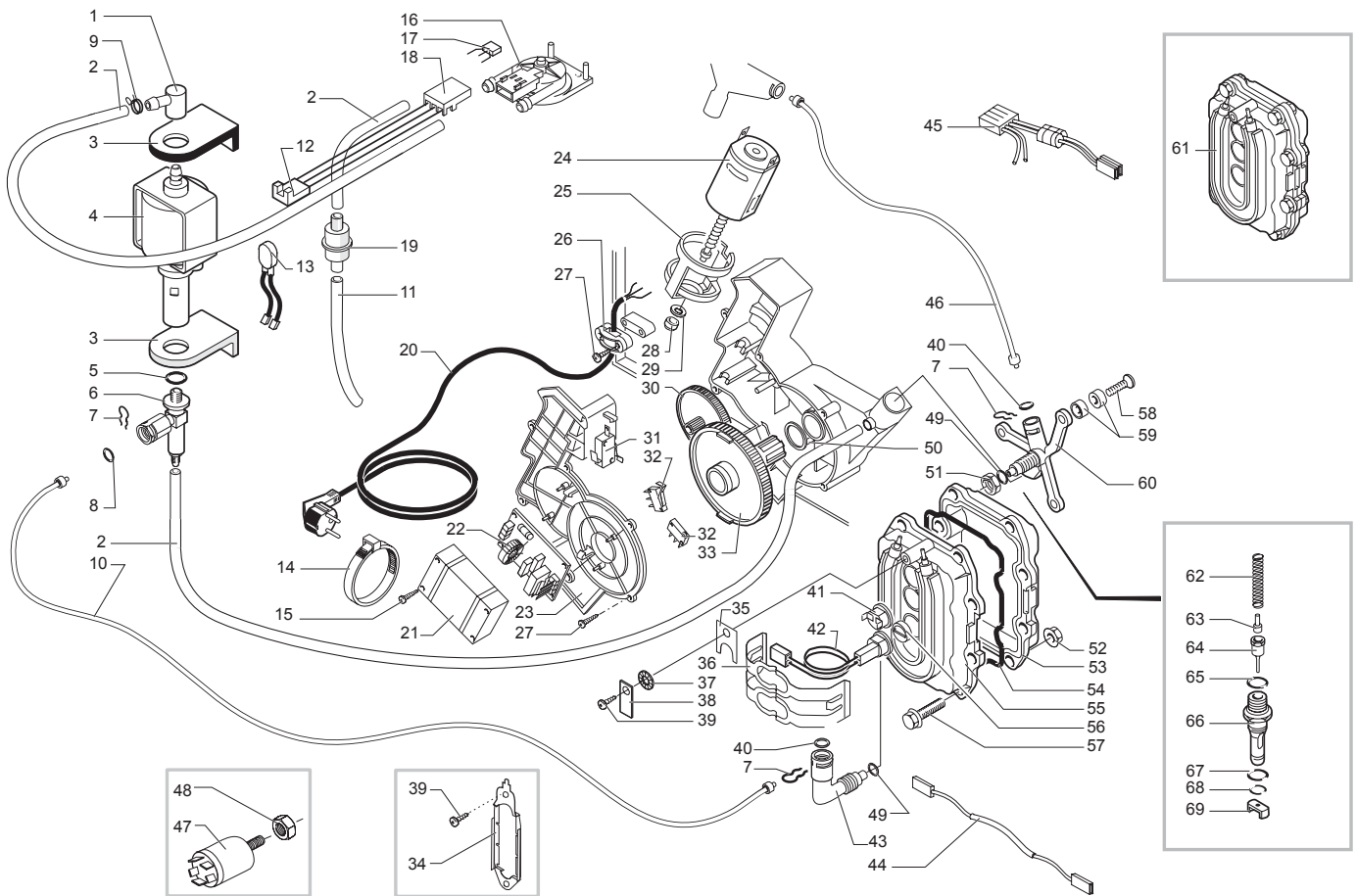


Cod. 741414-15-16-18-22-23-25-26-27-30-41-45-64-75-76
Cod. 10002885-3174-3175-3176-3177-3178-3179-3220-25-3329-3685

POS	CODE	DESCRIPTION	NOTE	POS	CODE	DESCRIPTION	NOTE
01	147920150	90°CONNECTOR PUMP INLET		38	186400600	FLAT TABS 6,3 D=5,3 0010487200	
02	149360200	SILICONE TUBE 5X8 70SR	IN ROLL			UP TO S/N. 994068660	
03	149185850	EATON PUMP SUPPORT MAGIC 4002012		39	129575403	SCREW TAPT M5X10 DIN 7500C NICK	
04	12000140	ULKA PUMP EP5/S GW	230V-50HZ	40	140328059	SCREW TAPT M5X10 DIN 7500C NICK	
05	NE03.018	MOLVENO SWITCH DK1WC1E000000		41	286472258	SENSOR KIT FOR CA M/S 5000 V2	230V
06	9071.075	BICONE IN PLASTIC FOR TUBE D.6		42	189428200	THERMOSTAT 175° 1NT-08L-3794	
07	9071.071	RING NUT FOR TUBE RETAINING D.6		43	127914020	"BRASS 90 DEG FIT.1/8" GAS MASTER	
08	9071.097	CONNECTOR FOR TUBE D.4		44		PARTICULAR NOT AVAILABLE	SEE PART. N°22
09	NM02.028	OR 2015 EPDM FDA		45	227872000	CONNECTOR AS. TEFLON 2X4 L=440 MM	
10	227872100	TEFLON TUBE 2X4 L=235 MM ASSY		46	140321462	OR 2018 IN SILICONE	
11	283542200	3 POLES CONNECTORS TURB.M5000 ASSY.		47	9161.132	MYLAR WASHER FOR RATIOMOTOR	
12	0311.807	YELLOW HARNESS KLIXON JP 13	230V	48	123390420	NUT 1/8 GAS H=4.5 CH=13 BRASS	
13	9011.144	FORK FOR TUBE D.4		49	123270102	NUT M6 FLANGED TOOTHED BASE GALV	
14	142851100	ANTIDISTURB FILTER COVER M5000		50		PARTICULAR NOT AVAILABLE	SEE PART. N°58
15	129660902	PANELVIT TCB SCREW 3,5X12 D.7505 Z		51	9011.129	BOILER SEAL	
16	286473300	-M-VDE TURBINE WITH SENSOR KIT	WITH PART. N°17	52		PARTICULAR NOT AVAILABLE	SEE PART. N°58
17		PARTICULAR NOT AVAILABLE	SEE PART. N°16	53	11004424	ALUM.SPACER FOR PHILIPS SENSOR MAGIC	
18	9161.018	BRACKET FOR TURBINE		54	U046.004	SCREW TEFZ M6,0X26 GALV.	
19	144650300	SUCTION FILTER GAUZE NET 500 (NEW		55	U044.017	SCREW TSPC M5,0X20 UNI 7688 GALV.	
20	183910450	POWER CABLE SCHUKO BLACK L=1500		56	9161.206	INSULATING SPACER FOR BOILER	
	183930250	POW.CABLE CH BLACK H05+3FAST.L=1500		57	9011.126	ALU.BOILER SUPPORT BRASS	
	183950150	P.CABLE ITALY BLACK .H05 + FAST.L=		58	286472858	SPARES KIT AN/BOIL+SENS.CAB.M5000/F	(I) (P) (E) (ARG)
	NE01.026	POWER CABLE SJT3C USA GREY 3F.L1500			286473058	SPARES KIT AN/BOIL+SENS.AS.M5000V2F	OTHER COUNTRY
21	184651100	ANTIDISTURB FILTER 0,47X2+1000Y2+0,5L		59	9011.132	SPRING FOR PIN	
22	286891358	GEN.MOT. FOR RATIOMOTOR M/S 5000 AS.	WITH PA. N°23-44	60	11009013	TEA/BRASS PIN FOR PISTON L=10	
23	9121.044	ANTIVIBRATION FOR MOTOR		61	11009019	TEA/BRASS PISTON L=20,9 ASSY.	
24	148600600	CABLE CLAMP V0 MAGIC ESP COMBI UL		62	140320462	OR METRICO 0080-20 IN SILICONE	
25	129670202	PANE. TCB SCREW 3,5X16 TESTA D=8 Z		63	9011.100	PEG FOR VALVE IN PLASTIC	
26	123270202	NUT M8 LOW UNI 5589 -A-6S GALVANIZED		64	NM01.035	OR ORM 0090-20 SILICONE	
27	128310802	WASHER UNI 8842 A8 GALV.		65	NM01.057	OR ORM 0050-20 SILICONE	
28	9121.046	SINTERED BUSH FOR MOTOR		66	9011.099	M CURSOR FOR BOILER VALVE IN PLASTIC	
29	148380200	WASHER BAKELIZZATE D=5,5		67	327002200	FUSE T6,3 AMP.5X20 RETARDED	
30	9121.042	GEAR Z.12/90		68	183003662	1 STR+ SIL. CABLE BLUE 510 MM	
31	NE05.042	MICROSWITCH		69	JS01.022	SILICONE TUBE 5X10 60 SHORE	IN ROLL
32	NE05.038	MICROSWITCH		70	140321961	OR 2031 IN TERMOIL	
33	9121.068.150	GEAR Z=108 FOR MOUNTING PLATE M5000		71	229451300	PUMP SAFETY VALVE D=8 ULKA PUMP	
34	9161.200.920	TRANSPARENT LID FOR RATIOMOT. M5000		72	184320200	SPRING HOSE CLAMP D=9,5MM	
35	126836402	PROBE LOCKING SPRING FOR BOIL. M50		73	126836517	STEEL SPRING RETAIN.3 THE.BOIL. M5	
		UP TO S/N. 994068660				FROM S/N. 994068661	
36	9011.142	THERMOSTAT RETAINING SPRING			289434800	GEN.TURB.AS.W/O FILTER UNIFIED M5000	
37	128310504	WASHER UNI 8842 A5 BURN.					
		UP TO S/N. 994068660					



VIENNA DLX & PL, SPIDEM TREVÌ



SUP018M

ALUM. BOILER 100-120V
UP TO S/N. 9003SA40209422

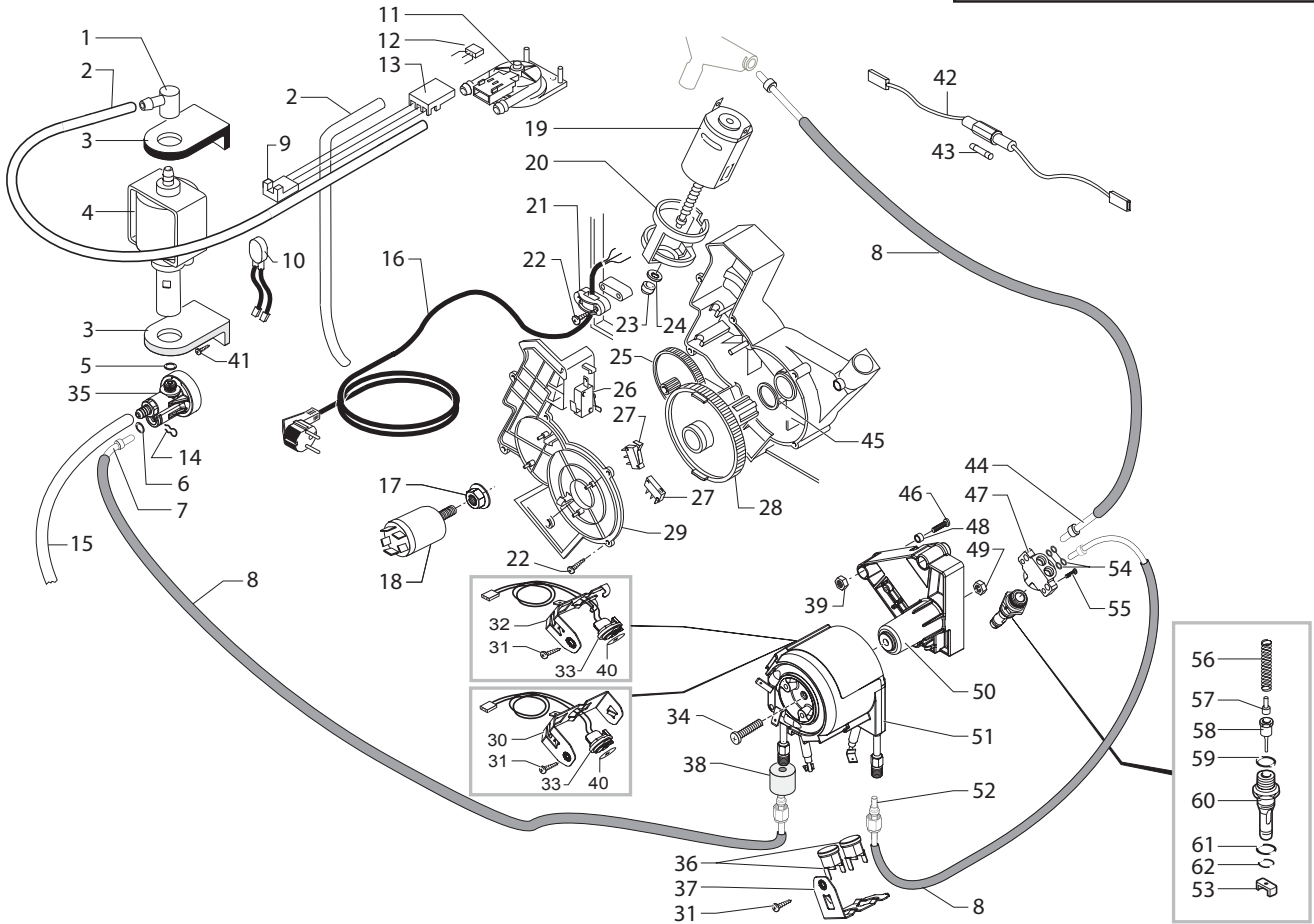


Cod. 741414-15-16-18-22-23-25-26-27-30-41-45-64-75-76
Cod. 10002885-3174-3175-3176-3177-3178-3179-3220-25-3329-3685

POS	CODE	DESCRIPTION	NOTE	POS	CODE	DESCRIPTION	NOTE
01	147920150	90°CONNECTOR PUMP INLET		40	140328059	OR 2015 IN SILICONE PTFE/FDA	
02	149360200	SILICONE TUBE 5X8 70SR	IN ROLL	41	189428200	THERMOSTAT 175° 1NT-08L-3794	
03	149185850	EATON PUMP SUPPORT MAGIC 4002012		42	286472255	SENSOR KIT FOR CA M/S 5000 V2 120V	
04	12000131	ULKA PUMP EP5/S	120V-60HZ	43	127914020	*BRASS 90 DEG FIT. 1/8" GAS MASTER	
	12000130	ULKA PUMP EP5/S GW	100V-50/60HZ	44	183361062	CABLE 1 WIRE SIL.BLUE AWG18 + FUSE	
05	140321961	OR 2031 IN TERMOIL		45		PARTICULAR NOT AVAILABLE	SEE PART. N°24
06	229451300	PUMP SAFETY VALVE D=8 ULKA PUMP		46	227872000	CONNECTOR AS. TEFLON 2X4 L=440 MM	
07	9011.144	FORK FOR TUBE D.4		47	NE13.023	EICHHOFF FILTER 16A	
08	NM02.028	OR 2015 EPDM FDA		48	123453602	FLANGE NUT M8 TOOTHED BASE GALV.	
09	184320200	SPRING HOSE CLAMP D=9,5MM		49	140321462	OR 2018 IN SILICONE	
10	227872100	TEFLON TUBE 2X4 L=235 MM ASSY		50	9161.132	MYLAR WASHER FOR RATIOMOTOR	
11	JS01.022	SILICONE TUBE 5X10 60 SHORE	IN ROLL	51	123390420	NUT 1/8 GAS H=4.5 CH=13 BRASS	
12	283542200	3 POLES CONNECTORS TURB.M5000 ASSY.		52	123270102	NUT M6 FLANGED TOOTHED BASE GALV	
13	289201000	THERMAL. PROTECT 120°C CABLE.125/3		53		PARTICULAR NOT AVAILABLE	SEE PART. N°61
14	144320500	SELF LOCK STRIP L=290 MM		54	9011.129	BOILER SEAL	
15	129660902	PANELVIT TCB SCREW 3,5X12 D.7505 Z		55		PARTICULAR NOT AVAILABLE	SEE PART. N°61
16	286473300	-M-VDE TURBINE WITH SENSOR KIT	WITH PART. N°17	56	11004424	ALUM.SPACER FOR PHILIPS SENSOR MAGIC	
17		PARTICULAR NOT AVAILABLE	SEE PART. N°16	57	U046.004	SCREW TEZF M6,0X26 GALV.	
18	9161.018	BRACKET FOR TURBINE		58	U044.017	SCREW TSPC M5,0X20 UNI 7688 GALV.	
19	144650300	SUCTION FILTER GAUZE NET 500 (NEW		59	9161.206	INSULATING SPACER FOR BOILER	
20	183910450	POWER CABLE SCHUKO BLACK L=1500		60	9011.126	ALU.BOILER SUPPORT BRASS	
	183921360	PO.CAB.SJT3C 16AWG USA GREY.5F.L=1700		61	286473055	SPARES KIT AN/BOIL+SENS.AS.M5000V2F	120V
21	142844459	GREY COVER FILTER EL.CARD MAGIC			286472854	SPARES KIT AN/BOIL+SENS.CAB.M5000/F	100V
22	181563155	ELECTR.BOARD 120V FILTERING MAGIC		62	9011.132	SPRING FOR PIN	
23	9161.200.920	TRANSPARENT LID FOR RATIOMOT. M5000		63	11009013	TEA/BRASS PIN FOR PISTON L=10	
24	286891355	GEN.MOT.FOR RATIOMOTOR M/S5000 UL AS.	WITH PA. N°25-45	64	11009019	TEA/BRASS PISTON L=20,9 ASSY.	
25	9121.044	ANTIVIBRATION FOR MOTOR		65	140320462	OR METRICO 0080-20 IN SILICONE	
26	148600600	CABLE CLAMP V0 MAGIC ESP COMBI UL		66	9011.100	PEG FOR VALVE IN PLASTIC	
27	129670202	PANE. TCB SCREW 3,5X16 TESTA D=8 Z		67	NM01.035	OR ORM 0090-20 SILICONE	
28	9121.046	SINTERED BUSH FOR MOTOR		68	NM01.057	OR ORM 0050-20 SILICONE	
29	148380200	WASHER BAKELIZZATE D=5,5		69	9011.099	M CURSOR FOR BOILER VALVE IN PLASTIC	
30	9121.042	GEAR Z.12/90			289434800	GEN.TURB.AS.W/O FILTER UNIFIED M5000	
31	NE05.042	MICROSWITCH					
32	NE05.038	MICROSWITCH					
33	9121.068.150	GEAR Z=108 FOR MOUNTING PLATE M5000					
34	126836517	STEEL SPRING RETAIN.3 THE.BOIL. M5					
35	126836402	PROBE LOCKING SPRING FOR BOIL. M50					
36	9011.142	THERMOSTAT RETAINING SPRING					
37	128310504	WASHER UNI 8842 A5 BURN.					
38	186400600	FLAT TABS 6,3 D=5,3 0010487200					
39	129575403	SCREW TAPT M5X10 DIN 7500C NICK					



VIENNA DLX & PL, SPIDEM TREVÌ



SUP018M

ALUM. BOILER WITH RESIST.
FROM S/N. 9003SA40209423

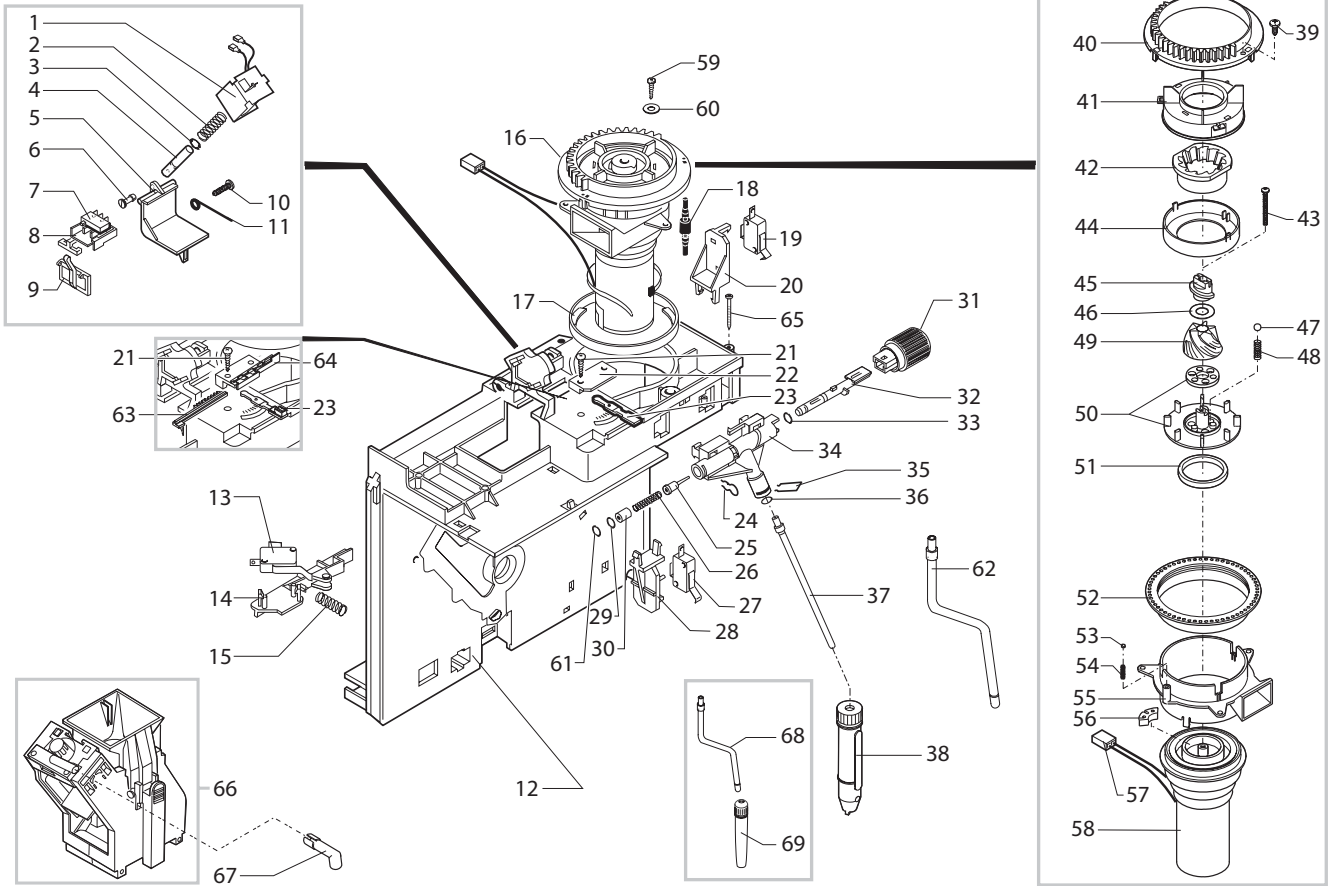


Cod. 741414-15-16-18-22-23-25-26-27-30-41-45-64-75-76
Cod. 10002885-3174-3175-3176-3177-3178-3179-3220-25-3329-3685

POS	CODE	DESCRIPTION	NOTE	POS	CODE	DESCRIPTION	NOTE
01	147920150	90°CONNECTOR PUMP INLET		34	129932202	ROUND HEAD SCREW 10.9 M5X20 GALV	
02	149360200	SILICONE TUBE 5X8 70SR	IN ROLL				
03	149185850	EATON PUMP SUPPORT MAGIC 4002012			129932502	GALVANIZDE SELF DRILLING SCREW 5X30	
04	12000140	ULKA PUMP EP5/S GW					
	12000131	ULKA PUMP EP5/S		35	229452100	COMPENSAT. AND SAFETY VALVE 16BAR AS.	
	12000130	ULKA PUMP EP5/S GW		36	189428200	THERMOSTAT 175° 1NT-08L-3794	
	12000182	ULKA PUMP EP5/S GW			189428600	THERMOSTAT 175° 1NT-08L-5125	
05	140321961	OR 2031 IN TERMOIL		37	126838117	2 THERMOSTATS FIXING SPRING	PLUS
06	NM02.028	OR 2015 EPDM FDA		38	147756562	PROTECTION FOR FOLK SPRING TUBE D=4	
07	227874900	CONNECTOR AS.TEFLON 2X4 L=250 MM		39	U310.003	NUT SELF LOCK.M5 UNI 7473	
08	149361200	BLACK SILICON TUBE 7,5X9,3	IN ROLL	40	145951600	UP TO S/N. 9005SA90278596	
09	283542200	3 POLES CONNECTORS TURB.M5000 ASSY.		41	129517302	ELECTRIC INSULATING DISK D=16	
10	0311.807	YELLOW HARNESS KLIXON JP 13		42	183003682	SCREW TCB3,9X9,5 DIN 7981 GALV	
	289201000	THERMAL. PROTECT 120°C CABLE.125/3			183361062	1 STR+ SIL. CABLE BLUE 510 MM	230V
11	286473300	-M-VDE TURBINE WITH SENSOR KIT		43	327002200	CABLE 1 WIRE SIL.BLUE AWG18 + FUSE	120V
12		PARTICULAR NOT AVAILABLE	WITH PART. N°12		184950200	FUSE T6,3 AMP.5X20 RETARDED	120V
13		PARTICULAR NOT AVAILABLE	SEE PART. N°11			FUSE T15 AMP.DELAYED	
14	9161.018	BRACKET FOR TURBINE		44	11002649	CONNECTOR AS.TEFLON 2X4 L=480 MM	
15	9011.144	FORK FOR TUBE D.4		45	9161.132	MYLAR WASHER FOR RATIONMOTOR	
16	J501.022	SILICONE TUBE 5X10 60 SHORE	IN ROLL	46	U044.020	SCREW TSP M5,0X30 UNI 7688 GALV.	
	183910450	POWER CABLE SCHUKO BLACK L=1500				UP TO S/N. 9005SA90278596	
	183930250	POW.CABLE CH BLACK H05+3FAST.L=1500			12001369	GALVANIZDE SELF DRILLING SCREW 5X35	
	183950150	P.CABLE ITALY BLACK .H05 + FAST.L=				FROM S/N. 9005SA90278597	
	183922060	POWER CABLE SJT3C USA GREY 5F.L1590		47	147922700	BOILER SUPPORT CONNECTOR	
	183940250	BLACK POW. CABLE AUSTR.H05+FAST.L=1500		48	9161.206	INSULATING SPACER FOR BOILER	
	NE01.026	POWER CABLE SJT3C USA GREY 3F.L1500		49	123453902	SELF-LOCKI.NUT M5X0,8 DIN 980 CLA.8	
	183980550	POWER CABLE JAPPON VCTF BLACK L=1590		50	20000203	SPARES KIT SUPPORT BOILER M5000	
	183990950	BLACK POWER CABLE RVV 3X1 CHINA L=1590				UP TO S/N. 9005SA90278596	
	11002892	GREY POWER CABLE TAIWAN HVCTF L=1440			149197900	SUPPORT FOR ALLUMINIUM BOILER	
	11003361	GREY POWER CABLE BRAZIL 5F.L=1590			11011420	FR. S/N. 9005SA90278597 UP TO S/N. 9008SR40104168	
	11000706	POWER CABLE SJT3C USA BLACK 5F.L=1590				V2 SUPPORT FOR ALUM.BOILER TYPE M5000	
	11001845	POWER CABLE SJT3C KOREA BLK 5F.L=1600		51	282058858	ALUM.BOILER WITH RESISTANCE	230V-1100W
17	123453602	FLANGE NUT M8 TOOTHED BASE GALV.			282058855	ALUM.BOILER WITH RESISTANCE	120V-275W
18	184651100	ANTIDISTURB FILTER 0.47X2+1000Y2+0,5L	230V		282058854	ALUM.BOILER WITH RESISTANCE	100V-1100W
	184651500	ANTIDISTURB FILTER 16A FNC 1610474472A	120V	52	227876800	CONNECTOR AS.TEFLON 2X4 L=235 MM	
	12001353	LOCKING SCREW ANTIDISTURB FILTER 16A		53	9011.099	M CURSOR FOR BOILER VALVE IN PLASTIC	
19	11003037	MOTOR FOR RATIONMOTOR ASSY.		54	140328059	OR 2015 IN SILICONE PTFE/FDA	
20	9121.044	ANTIVIBRATION FOR MOTOR		55	129910103	HI -LO TC SCREW 3,5X15 RIF.910189	
21	148600600	CABLE CLAMP V0 MAGIC ESP COMBI UL		56	9011.132	SPRING FOR PIN	
22	129670202	PANE. TCB SCREW 3,5X16 TESTA D=8 Z		57	11009013	TEA/BRASS PIN FOR PISTON L=10	
23	9121.046	SINTERED BUSH FOR MOTOR		58	11009019	TEA/BRASS PISTON L=20,9 ASSY.	
24	148380200	WASHER BAKELIZZATE D=5,5		59	140320459	OR METRICO 0080-20 SILICON.PTFE/FDA	
25	9121.042	GEAR Z.12/90		60	9011.100	PEG FOR VALVE IN PLASTIC	
26	NE05.042	MICROSWITCH		61	NM01.035	OR ORM 0090-20 SILICONE	
27	NE05.038	MICROSWITCH		62	NM01.057	OR ORM 0050-20 SILICONE	
28	9121.068.150	GEAR Z=108 FOR MOUNTING PLATE M5000					
29	9161.200.920	TRANSPARENT LID FOR RATIONMOTOR M5000			282132858	ALUM.BOILER 230V AS.WITH RESISTANCE	
30	126838017	SENSOR FIXING SPRING			282132855	ALUM.BOILER 120V AS.WITH RESISTANCE	
		UP TO S/N. 9004SA40074124			282132854	ALUM.BOILER 100V AS.WITH RESISTANCE	
31	129573202	SCREW TAPT M4X8 UNI 8112					
32	126838217	SENSOR FIXING SPRING					
		FROM S/N. 9004SA40074125					
33	288582300	SENSOR ELEC.BOARD WITH CONNECTOR AS.					



VIENNA DLX & PL, SPIDEM TREVÌ



Saeco SUP018M
INTERNATIONAL GROUP



Cod. 741414-15-16-18-22-23-25-26-27-30-41-45-64-75-76
Cod. 10002885-3174-3175-3176-3177-3178-3179-3220-25-3329-3685

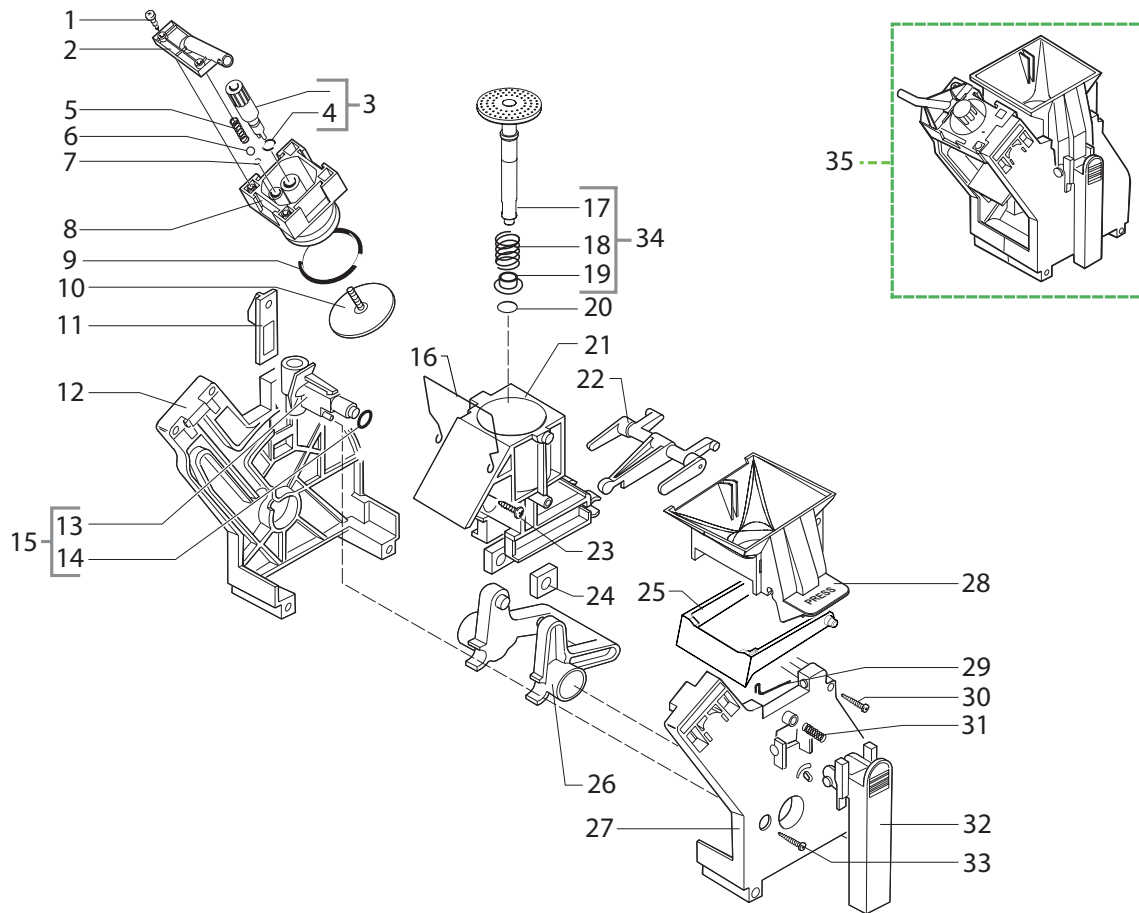
POS	CODE	DESCRIPTION	NOTE
01	9129.A23.00A	WHOLE COIL M5000/S5000	230V
	283770755	V2 COFFEE DOSER COIL ASS.	120V
02	126764818	SPRING ELECTROM.BEAN DOSER MAGIC	
03	U701.003	SNAP RING 7 UNI 7434	
04	9161.041	DOSER ELECTROMAGNET CORE	
05	9161.074.150	DOSER DOOR GREY	
06	9161.076.150	DOSER DOOR PIN GREY	
07	NE05.017	MICROSWITCH	
08	149185959	BEAN DOSER MICRO SUPORT MAGIC	
09	148700559	COFFEE DOSER DOSE ADJ. SEL. GR MAG	
10	129913902	SCREW TCB TORX 10 3X12 PLAST.ZN-B	
11	9161.048	SCRAPER ROD	
12	9161.249.150	MOUNTING PLATE ASSEMBL.GREY	
	11009326	GREY/7016 MOUNTING PLATE M5000 UL ASSY.	120V
13	186724000	MICROSWITCH SAIA X3M502K8MCM92AU	
14	9161.202.150	COMPENSATOR FOR GROUNDS MICRO	
15	9161.221	SPRING GROUND.MICROSUPP.COMPENSA	
16	286882458	GENER.MOT.AS. M5000 (ITALY/V2)	230V
	286883758	GENER.MOTOR AS. M5000 (STD/V2)	230V
	286883755	GENER.MOTOR AS. M5000 (STD/V2)	120V
	286883754	GENER.MOTOR AS. M5000 (STD/V2)	100V
17	9141.052	COFFEEGRINDER REINFORCING RING	
18	9991.103	ANTIVIBRATION FOR COFFEEGRINDER	
19	NE05.043	MICROSWITCH	
20	9161.207.150	SUPPORT FOR FAUCET MICRO	
21	129660902	PANELVIT TCB SCREW 3,5X12 D.7505 Z	
22	147571059	GREY LEVER FIX.PLATE W/O DOSE ADJUSTM.	
23	9161.122.150	DOSE ADJUSTMENT LEVER GREY CLASSIC	
24	9011.144	FORK FOR TUBE D.4	
25	11009019	TEA/BRASS PISTON L=20,9 ASSY.	
26	126765317	STEEL SPRING BOIL. PISTON MAG.9011	
27	186723600	MICROSWITCH SAIA X3M502K2KAM92AS	
28	9161.208.150	SUPPORT FOR DOOR MICRO	
29	140328059	OR 2015 IN SILICONE PTFE/FDA	
30	11009011	TEA/BRASS BUSH FOR FAUCET	
31	227720753	METAL/BLACK STEAM KNOB M5000-SPID. S/SC	
	227720761	SPIDEM/GREY STEAM KNOB M5000-SPID. S/SC	
	11012339	MEZZANOTTE STEAM KNOB M5000-SPID. S/SC	
	11022212	SILVER STEAM KNOB M5000-SPID. S/SCREEN	
	11023365	MET/GREY STEAM KNOB S/SCR.M5000-SPID.	
32	9161.205	STEAM TAP SHAFT	
33	140328561	OR D=4,18 X 1,90 IN TERMOIL	
34	9161.204.G	STEAM FAUCET	
35	126764018	SPRING D=1STEAM TUBE HOLDER JUN.	

POS	CODE	DESCRIPTION	NOTE
36	140324461	OR METRIC 0060-20 IN TERMOIL	
37	11001591	ST.STEEL STEAM TUBE L=137,66 S5000 ASSY.	
38	147430150	PANNARELLO AS. BLACK PLASTIC	
	147430161	PANNARELLO AS. GREY /SPIDEM PLASTI	
	227430600	PANNAR.ASS.INT.PLASTIC EXT.CHROM.	
39	129511803	SCREW TCB 2,9X6,4 DIN 7981 NICK	
40	148650250	SECTOR GEARGRIND ADJUSTM. KNOB COMBI	
41	149186150	BLACK UPPER GRINDER SUPPORT MAGIC	
42		PARTICULAR NOT AVAILABLE	SEE PART. N°49
43	129931002	TORX SCREW T10 TCB 3,5X40 SX ZNG	
44	142844550	UPPER GRINDER COVER COFF. GRIND. MAGIC	
45	147470763	INCREASE SCREW PIN COFF. GRINDER MAGIC	
46	U201.002	PLAIN WASHER 10X16X0,2DIN 988 GAL	
47	128610521	STAIL.STEEL AISI 304 SPHERE D=5,5MM	
48	126765517	STEEL SPRING SPHERE D=5,5 MOTOR MAGIC	
49	226473500	KIT TECNA GRINDERS	WITH PART. N°42
50	149188750	CONICAL GRIND. SUPP. + RING MAGIC	
51	140360200	FELT RING 40X34X5	
52	146570950	RING NUT FOR GRINDING ADJUSTM. MAGIC	
53	128610421	STAIL.STELL AISI 304 SPHERE D=3,2MM	
54	126770117	NEW SPRING SPHERE D=3,2 MOTOR MAGIG	
55	140230400	SHOCK ABS .CONICAL GRINDER SUPP.MAGIC	
56	149186350	GRINDER MOTOR SUP.BLACK MAGIC	
57	283544900	2POLES CONN.AS.COF.GRIN.JP1 33MH CA	230V
	283542600	2 P.CONN.AS. COFF.GRINDJP1 CA	120V
58	286851858	MOTOR AS. NEW MAGIC DE LUXE	230V
	286851855	MOTOR AS. NEW MAGIC DE LUXE	120V
	286851854	MOTOR AS. NEW MAGIC DE LUXE	100V
59	129670202	PANE. TCB SCREW 3,5X16 TESTA D=8 Z	
60	U207.004	PLAIN WASHER 4,3X16 UNI 6592 GAL	
61	140328161	OR D=3,85 X 1,90 IN EPDM	
62	229380908	CHROMED STEAM TUBE AS.L=125,88 S5000	
63	148740450	TOOTHED SLIDE FOR DOSE ADJUST GEAR	
64	147571850	BLACK LEVER FIXING PLATE + DOSE ADJUST.	
65	129661502	SCREW PANELVIT TCB 3X38 DIN 7505 ZN	
66	11004181	BLACK BREW UNIT NEW M5000	
		SEE EXPL. COD. E90050 NEXT PAGES	
		NOTE: FOR SINGLE PAR. OF THE OLD GROUP	
		COFFEE' GREY	
		SEE EXPL.COD.E90023 (MOD. WITHOUT HOLE)	NEXT PAGES
		SEE EXPL.COD.E90026 (MOD. WITH HOLE)	NEXT PAGES
67	11006983	BLACK SLEEVE FOR DISPENSER M5000	
68	11001601	ST.STEEL STEAM TUBE AS.L=104,88 M5000	
69	227431250	BLACK/BLACK PANNARELLO PLASTIC ASSY.	

Saeco
INTERNATIONAL GROUP

VIENNA DLX & PL, SPIDEM TREVÌ

TAVOLA 5/5



Saeco® SUP 018



Cod. 11004181

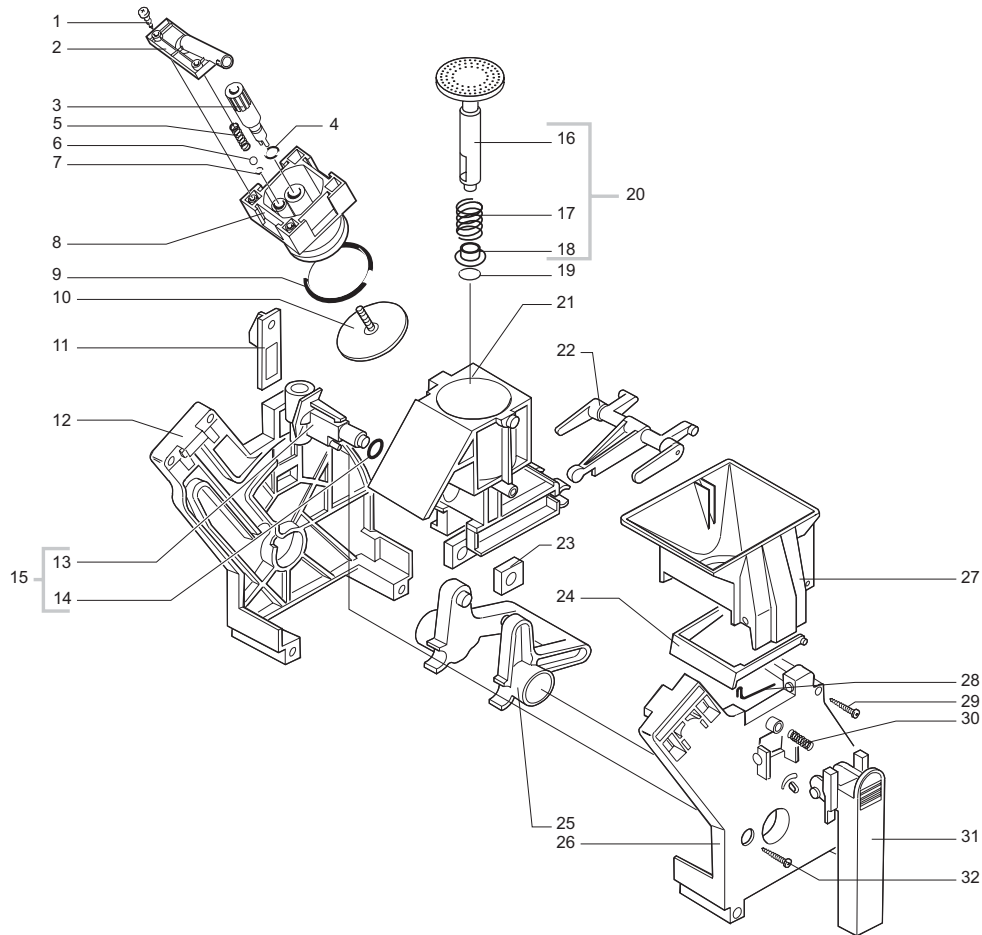
POS	CODICE	DESCRIZIONE	NOTE	POS	CODE	DESCRIPTION	NOTE
01	U140.019	PANELVIT TCB 3,0X16 DIN 7505 B INOX		01	U140.019	PANELVIT TCB 3,0X16 DIN 7505 B SS	
02	11003790	MANICOTTO USCITA CAF.GRUPPO M5000 NERO		02	11003790	BLACK COFFEE OUTLET SLEEVE	
03	227470150	AS.PERNO X DOCCIA COMPLETO NERO		03	227470150	PIN BLACK ASS.FOR PERCOLATOR	
04	NM02.006	OR R5 TERMOIL		04	NM02.006	OR R5 TERMOIL	
05	9161.222	MOLLA CONICA		05	9161.222	CONICAL SPRING	
06	9991.168	SFERA IN VETRO D.5 MM		06	9991.168	GLASS SPHERE D.5MM	
07	NM02.013	OR ORM 0080-15 TERMOIL		07	NM02.013	OR ORM 0080-15 TERMOIL	
08	11003796	CONTROPISTONE X GRUPPO CAFFE' NERO		08	11003796	BLACK COUNTERPISTON FOR COFFEE UNIT	
09	NM01.044	OR ORM 0320-40 SILICONE PTFE/FDA		09	NM01.044	OR ORM 0320-40 SILICONE PTFE/FDA	
10	9160.075	AS.DOCCIA DE=35,8 ELFO CVITE E DADO		10	9160.075	PERCOLATOR DE=35,8 ELFO ASSY.	
11	11004114	PIASTRINA X AGGANCIO GRUPPO CAFFE' NERO		11	11004114	BLACK PLATE FOR UNIT COUPLING	
12	11003792	PIASTRA POSTERIORE GRUPPO CAFFE' NERO		12	11003792	BLACK REAR PLATE FOR UNIT	
13	9161.064.050	MANICOTTO ENTRATA ACQUA NERO		13	9161.064.050	WATER INLET SLEEVE BLACK	
14	NM02.007	OR 2025 IN TERMOIL		14	NM02.007	OR 2025 IN TERMOIL	
15	20000440	GRUPPO RICAMBIO MANICOTTO NERO		15	20000440	BLACK SPARE SLEEVE UNIT	
16	11001556	MOLLA RASATORE H=49 X GRUPPO CAF.SMART		16	11001556	SPRING H=49 FOR COFFEE BREW UNIT SMART	
17	11003077	AS.PISTONE INTEGRALE GRUP.P124 8GR.NERO		17	11003077	BLACK INTEGRAL PISTON UNIT P124 8GR.ASS	
18	9161.198	MOLLA X PISTONE		18	9161.198	SPRING FOR PISTON	
19	9161.191	BOCCOLA X PISTONE NEUTRO		19	9161.191	BUSH FOR PISTON NEUTRAL	
20	NM02.018	OR METRICO 0090-25 IN TERMOIL		20	NM02.018	OR ORM 0090-25 TERMOIL	
21	11003075	AS.CONT.CAF.C/BOCC.SALD.GRUPP124 8G.NER	CON PART. N°20	21	11003075	COFF.CONT.WITH BEAR FOR BREW UNIT P124	WITH PART. N°20
22	11003078	BIELLA X GRUPPO P124 8GR.NERA		22	11003078	BLACK CONNECTING ROD FOR UNIT P124 8GR.	
23	129912521	VITE TCBR 3,5X14 PLAST.INOX		23	129912521	SCREW TCBR TORX 10 3,5X14 PLAST.SS	
24	9161.094.050	BLOCCHETTO FORATO X GRUPPO NERO		24	9161.094.050	DRILLED BLACK BLOCK FOR UNIT	
25	11004161	RASATORE X GRUPPO CAFFE' NERO		25	11004161	BLACK SCRAPER FOR COFFEE UNIT	
26	9161.066.050	ALBERO A GOMITO X GRUPPO NERO		26	9161.066.050	ELBOW SHAFT FOR UNIT BLACK	
27	11003793	PIASTRA ANTERIORE GRUPPO CAFFE' NERO		27	11003793	BLACK FRONT PLATE FOR UNIT	
28	11003795	TRAMOGGIA X GRUPPO CAFF.NERA SER.PRESS		28	11003795	BLACK HOPPER FOR PRESS UNIT	
29	9161.046	MOLLA X RASATORE GRUPPO		29	9161.046	SPRING FOR UNIT SCRAPER	
30	12000897	VITE TCB 3,5X20 PLAST.INOX		30	12000897	SCREW TCB TORX 10 3,5X20 PLAST.SS	
31	9161.045	MOLLA X IMPUGNATURA GRUPPO		31	9161.045	SPRING FOR UNIT HANDGRIP	
32	11003791	IMPUGNATURA X GRUPPO CAFFE' NERA		32	11003791	BLACK HANDGRIP FOR COFFEE UNIT	
33	12000550	VITE TCB 3X25 PLAST.INOX		33	12000550	SCREW TCB TORX 10 3X25 PLAST.SS	
34	11023086	AS.GEN.PISTONE INTEGR.GRUP.CAF.8GR.NER.		34	11023086	BLK 8GR.BREW UNIT NTEGR.PISTON GEN.ASSY.	
35	11004181	GRUPPO CAFFE' M5000 NEW NERO		35	11004181	BLACK BREW UNIT NEW M5000	

Saeco®

GRUPPO CAFFE' M5000 NEW NERO

Rev. 03 - 23/11/09

TAVOLA 1/1



Saeco

**GRUPPO CAFFE' M5000
X C.A. SAECO (SENZA FORO) GRIGIO**



Cod. 9160.027.150

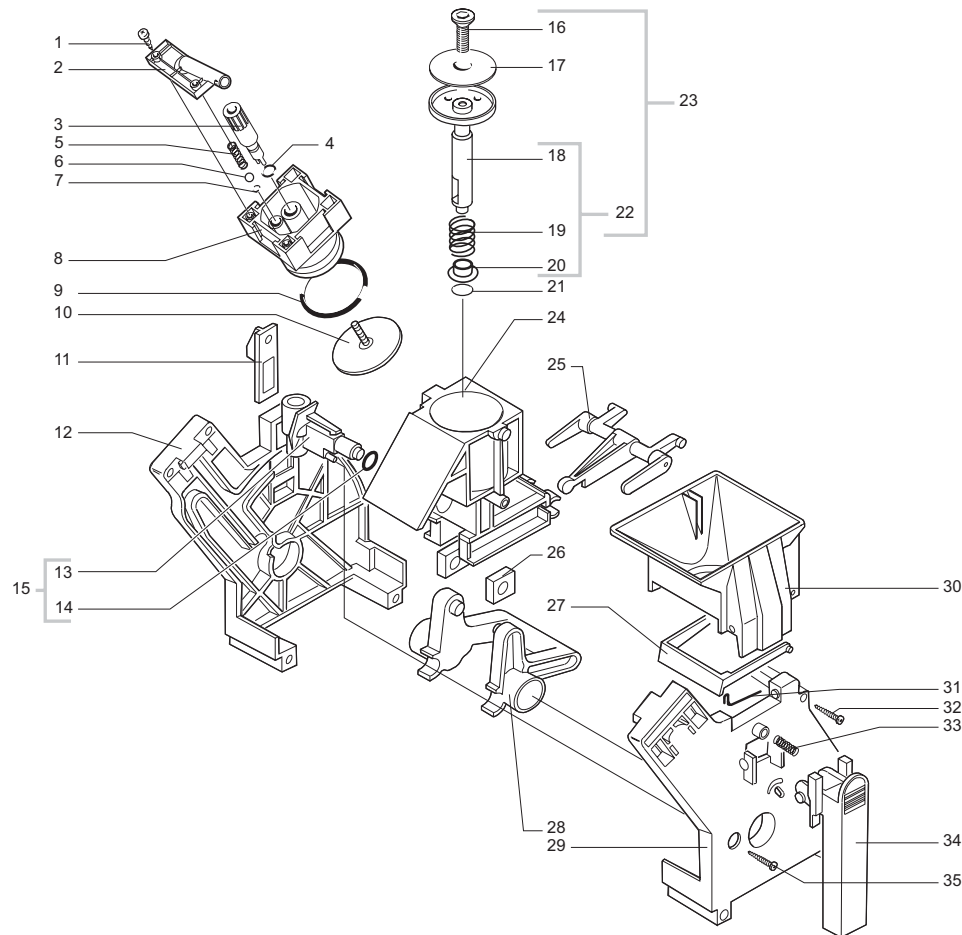
POS	CODICE	DESCRIZIONE	NOTE	POS	CODE	DESCRIPTION	NOTE
01	U140.019	PANELVIT TCB 3,0X16 DIN 7505 B INOX		01	U140.019	PANELVIT TCB 3,0X16 DIN 7505 B SS	
02	0311.024.150	MANICOTTO USCITA CAF.GRUPPO M5000 GRIGIO		02	0311.024.150	GREY COFFEE OUTLET SLEEVE	
03	227470159	AS.PERNO X DOCCIA COMPLETO GRIGIO		03	227470159	PIN GREY ASS.FOR PERCOLATOR	
04	NM02.006	OR R5 TERMOIL		04	NM02.006	OR R5 TERMOIL	
05	9161.222	MOLLA CONICA		05	9161.222	CONICAL SPRING	
06	9991.168	SFERA IN VETRO D.5 MM		06	9991.168	GLASS SPHERE D.5MM	
07	NM02.013	OR ORM 0080-15 TERMOIL		07	NM02.013	OR ORM 0080-15 TERMOIL	
08	9161.193.150	CONTROPISTONE X GRUPPO CAFFE' GRIGIO		08	9161.193.150	GREY COUNTERPISTON FOR COFFEE UNIT	
09	NM01.044	OR ORM 0320-40 SILICONE PTFE/FDA		09	NM01.044	OR ORM 0320-40 SILICONE PTFE/FDA	
10	223740300	AS.DOCCIA DE=35,8 C/VITE E DADO		10	223740300	PERCOLATOR DE=35,8 ASSY.	
11	147572550	PIASTRINA X AGGANCIO GRUPPO CAFFE' NERO		11	147572550	BLACK PLATE FOR UNIT COFFE.COUPLING	
12	9161.070.150	PIASTRA POSTERIORE GRUPPO CAFFE' GRIGIO		12	9161.070.150	GREY REAR PLATE FOR UNIT	
13	9161.064.150	MANICOTTO ENTRATA ACQUA GRIGIO		13	9161.064.150	WATER INLET SLEEVE GREY	
14	NM02.007	OR 2025 TERMOIL		14	NM02.007	OR 2025 TERMOIL	
15	0301.R04.150	GRUPPO RICAMBIO MANICOTTO GRIGIO		15	0301.R04.150	SPARE SLEEVE UNIT GREY	
16	9161.306.150	ASS.PISTONE INTEGRALE GRIGIO		16	9161.306.150	INTEGRAL PISTON ASS.GREY	
17	9161.198	MOLLA X PISTONE		17	9161.198	SPRING FOR PISTON	
18	9161.191	BOCCOLA X PISTONE NEUTRO		18	9161.191	BUSH FOR PISTON NEUTRAL	
19	NM02.018	OR METRICO 0090-25 IN TERMOIL		19	NM02.018	OR ORM 0090-25 TERMOIL	
20	9161.343.150	ASS.PISTONE INTEGRALE		20	9161.343.150	INTERGRAL PISTON ASS.	
21	9161.195.150	CONTENITORE COMPL.X GRUPPO GRIGIO		21	9161.195.150	COMPLETE CONTAINER FOR UNIT GREY	
22	9161.065.150	BIELLA X GRUPPO GRIGIO		22	9161.065.150	CONNECTING ROD FOR UNIT GREY	
23	9161.094.050	BLOCCETTO FORATO X GRUPPO NERO		23	9161.094.050	DRILLED BLACK BLOCK FOR UNIT	
24	9161.060.150	RASATORE X GRUPPO CAFFE' GRIGIO		24	9161.060.150	GREY SCRAPER FOR COFFEE UNIT	
25	9161.066.150	ALBERO A GOMITO X GRUPPO GRIGIO		25	9161.066.150	ELBOW SHAFT FOR UNIT GREY	
26	9161.071.150	PIASTRA ANTERIORE GRUPPO CAFFE' GRIGIO		26	9161.071.150	GREY FRONT PLATE FOR UNIT	
27	9161.123.150	TRAMOGGIA X GRUPPO CAFF.GRIGIA SER.PRES.		27	9161.123.150	GREY HOPPER FOR PRESS UNIT	
28	9161.046	MOLLA X RASATORE GRUPPO		28	9161.046	SPRING FOR UNIT SCRAPER	
29	U109.026	VITE AUT.TCB 3,5X19 DIN 7981 C INOX		29	U109.026	SS.SCREW AUT.TCB 3,5X19 DIN 7981 C	
30	9161.045	MOLLA X IMPUGNATURA GRUPPO		30	9161.045	SPRING FOR UNIT HANDGRIP	
31	9161.069.150	IMPUGNATURA X GRUPPO CAFFE' GRIGIO		31	9161.069.150	GREY HANDGRIP FOR COFFEE UNIT	
32	U109.027	VITE AUT.TCB 2,9X19 DIN 7981 C INOX		32	U109.027	SS.SCREW AUT.TCB 2,9X19 DIN 7981 C	

Saeco

**GRUPPO CAFFE' M5000
X C.A. SAECO (SENZA FORO) GRIGIO**

Rev. 03 - 17/01/07

TAVOLA 1/1



**GRUPPO CAFFE' M5000
X C.A. NON SAECO (CON FORO) GRIGIO**



Cod. 225800559

POS	CODICE	DESCRIZIONE	NOTE	POS	CODE	DESCRIPTION	NOTE
01	U140.019	PANELVIT TCB 3,0X16 DIN 7505 B INOX		001	U140.019	PANELVIT TCB 3,0X16 DIN 7505 B SS	
02	0311.024.150	MANICOTTO USCITA CAF.GRUPPO M5000 GRIGIO		02	0311.024.150	GREY COFFEE OUTLET SLEEVE	
03	227470159	AS.PERNO X DOCCIA COMPLETO GRIGIO		03	227470159	PIN GREY ASS.FOR PERCOLATOR	
04	NM02.006	OR R5 TERMOIL		04	NM02.006	OR R5 TERMOIL	
05	9161.222	MOLLA CONICA		05	9161.222	CONICAL SPRING	
06	9991.168	SFERA IN VETRO D.5 MM		06	9991.168	GLASS SPHERE D.5MM	
07	NM02.013	OR ORM 0080-15 TERMOIL		07	NM02.013	OR ORM 0080-15 TERMOIL	
08	9161.193.150	CONTROPISTONE X GRUPPO CAFFE' GRIGIO		08	9161.193.150	GREY COUNTERPISTON FOR COFFEE UNIT	
09	NM01.044	OR ORM 0320-40 SILICONE PTFE/FDA		09	NM01.044	OR ORM 0320-40 SILICONE PTFE/FDA	
10	223740300	AS.DOCCIA DE=35,8 C/VITE E DADO		10	223740300	PERCOLATOR DE=35,8 ASSY.	
11	147572550	PIASTRINA X AGGANCIO GRUPPO CAFFE' NERO		11	147572550	BLACK PLATE FOR UNIT COFFE.COUPLING	
12	9161.070.150	PIASTRA POSTERIORE GRUPPO CAFFE' GRIGIO		12	9161.070.150	GREY REAR PLATE FOR UNIT	
13	9161.064.150	MANICOTTO ENTRATA ACQUA GRIGIO		13	9161.064.150	WATER INLET SLEEVE GREY	
14	NM02.007	OR 2025 TERMOIL		14	NM02.007	OR 2025 TERMOIL	
15	0301.R04.150	GRUPPO RICAMBIO MANICOTTO GRIGIO		15	0301.R04.150	SPARE SLEEVE UNIT GREY	
16	129852821	VITE TSP M3X14 UNI 7688 INOX		16	129852821	TSP SCREW M3X14 UNI 7688 SS	
17	9161.167	DOCCIA D.35,8		17	9161.167	PERCOLATOR D.35,8	
18	9161.211.050	PISTONE NUOVO NERO CON INSERTO		18	9161.211.050	NEW PISTON WITH INSERT BLACK	
19	9161.198	MOLLA X PISTONE		19	9161.198	SPRING FOR PISTON	
20	9161.191	BOCCOLA X PISTONE NEUTRO		20	9161.191	BUSH FOR PISTON NEUTRAL	
21	NM02.018	OR METRICO 0090-25 IN TERMOIL		21	NM02.018	OR ORM 0090-25 TERMOIL	
22	9161.210.050	PISTONE COMPLETO NERO X GRUPPO		22	9161.210.050	COMPLETE PISTON FOR UNIT GREY	
23	0301.R16.050	GRUPPO RICAMBIO PISTONE NUOVO NERO		23	0301.R16.050	SPARE PISTON UNIT NEW BLACK	
24	9161.195.150	CONTENITORE COMPL.X GRUPPO GRIGIO		24	9161.195.150	COMPLETE CONTAINER FOR UNIT GREY	
25	9161.065.150	BIELLA X GRUPPO GRIGIO		25	9161.065.150	CONNECTING ROD FOR UNIT GREY	
26	9161.094.050	BLOCCETTO FORATO X GRUPPO NERO		26	9161.094.050	DRILLED BLACK BLOCK FOR UNIT	
27	9161.060.150	RASATORE X GRUPPO CAFFE' GRIGIO		27	9161.060.150	GREY SCRAPER FOR COFFEE UNIT	
28	9161.066.150	ALBERO A GOMITO X GRUPPO GRIGIO		28	9161.066.150	ELBOW SHAFT FOR UNIT GREY	
29	9161.071.150	PIASTRA ANTERIORE GRUPPO CAFFE' GRIGIO		29	9161.071.150	GREY FRONT PLATE FOR UNIT	
30	9161.123.150	TRAMOGGIA X GRUPPO CAFF.GRIGIA SER.PRES.		30	9161.123.150	GREY HOPPER FOR PRESS UNIT	
31	9161.046	MOLLA X RASATORE GRUPPO		31	9161.046	SPRING FOR UNIT SCRAPER	
32	U109.026	VITE AUT.TCB 3,5X19 DIN 7981 C INOX		32	U109.026	SS.SCREW AUT.TCB 3,5X19 DIN 7981 C	
33	9161.045	MOLLA X IMPUGNATURA GRUPPO		33	9161.045	SPRING FOR UNIT HANDGRIP	
34	9161.069.150	IMPUGNATURA X GRUPPO CAFFE' GRIGIO		34	9161.069.150	GREY HANDGRIP FOR COFFEE UNIT	
35	U109.027	VITE AUT.TCB 2,9X19 DIN 7981 C INOX		35	U109.027	SS.SCREW AUT.TCB 2,9X19 DIN 7981 C	

**GRUPPO CAFFE' M5000
X C.A. NON SAECO (CON FORO) GRIGIO**

Rev. 03 - 17/01/07

TAVOLA 1/1