

**Saeco**  
INTERNATIONAL GROUP

**SUP 018 V2**  
UP TO S/N. 984044420



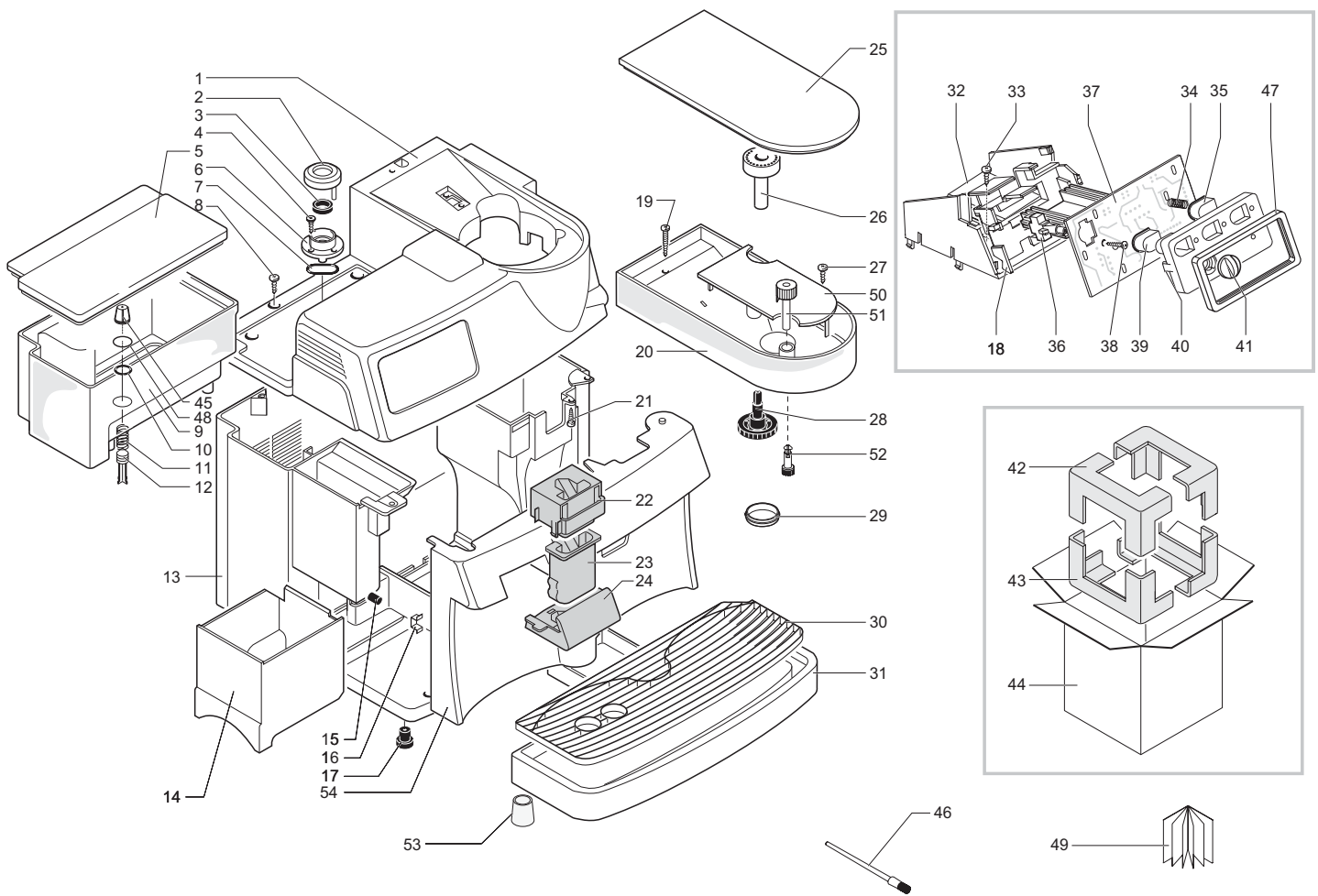
**Cod. 7414**  
**Cod.10001204**

POS	CODE	DESCRIPTION	NOTE
01	0311.002.380	COVER M5000 METAL.BLACK	
	0311.002.560	COVER M5000 MARB.GREY	
	0311.002.600	COVER M5000 MARB.CREAM	
	0311.002.270.A	COVER M5000 YELLOW	
	0311.002.150	COVER M5000 GREY/7016	
	0311.002.490	COVER M5000 GREY/7011	
	0311.002.670	COVER M5000 GREY/3557	
02	0701.031.150	SEAL COVER GREY	
	145842900	WATER CONTAIN.VALVE SEAL GACO DIM14	
04	129535721	SCREW TSP3,5X9,5 DIN 7982 SS	
	0311.008.380	METAL/BLACK WATER CONTAINER LID M5000	
05	0311.008.560	MARB/GREY WATER CONTAINER LID M5000	
	0311.008.620	SPIDEM/GREY WATER CONTAIN.LID M5000	
	0311.008.580	SILVER WATER CONTAINER LID M5000	
	0311.008.150	GREY/7016 WATER CONTAINER LID M5000	
	0311.008.490	UNPAINTED WATER CONTAINER LID M5000	
	0701.014.150	SEAL CONTAINER GREY	
	0312.022	SEAL FOR VALVE CONTAINER	
08	U143.007	SCREW TORX TCB 2,9X19 SS BUR	
09	222693880	TRANSP/GREY WATER CONTAINER M5000 ASSY.	
	222694080	WATER CONTAINER AS.M5000 TRANS/GREY	100V
10	140324362	OR METRIC 0060-30 IN SILICONE	
	126764718	SPRING FOR WATER CONTAINER VALVE	
12	147660562	GREY WATER VALVE CONTAINER PISTON	
	0311.A03.380	METAL/BLACK CASING M5000 + FEET ASSY.	WITH PART. N°15-17
	0311.A03.560	MARB.GREY CASING M5000 + FEET ASSY.	WITH PART. N°15-17
	0311.A03.600	MARB.CREAM CASING M5000 + FEET ASSY.	WITH PART. N°15-17
	0311.A03.270.A	YELLOW CASING M5000 + FEET ASSY.	WITH PART. N°15-17
	0311.A03.150	GREY/7016 CASING M5000 + FEET ASSY.	WITH PART. N°15-17
	0311.A03.490	GREY/7011CASING M5000 + FEET ASSY.	WITH PART. N°15-17
14	0311.A03.670	GREY/3557 CASING M5000 + FEET ASSY.	WITH PART. N°15-17
	0311.004.380	METAL/BLACK GROUNDS CONTAINER M5000	
	0311.004.560	MARB./GREY GROUNDS CONTAINER M5000	
	0311.004.600	MARB./CREAM GROUNDS CONTAINER M5000	
	0311.004.270.A	YELLOW GROUNDS CONTAINER M5000	
	0311.004.150	GREY/7016 GROUNDS CONTAINER M5000	
	0311.004.670	GREY/3557 GROUNDS CONTAINER M5000	
15	9991.105	MAGNET D.9MM	
	0311.020	BRACKET FOR DOOR CLOSURE	
17	147622850	BLACK FOOT	
18	147756600	ELECTRONICS BOARD PROTECTION M5000	

POS	CODE	DESCRIPTION	NOTE
19	129517103	SCREW TCB3,5X38,1 DIN 7981 GALV	
	222710780	B.CONT.AS.W/SLOT W/O DOS ADJ .M500	
20	222710980	B.CONT.AS.W/O SLOT W/O DOS ADJ M50	
	222711680	BEAN CONT.+ SLOTS + DOS.ADJUST.M5000 ASS	
	129660902	PANEL/VIT TCB SCREW 3,5X12 D.7505 Z	
21	0311.022.490	GREY/7011 FIXED DISPENSING CHANNEL	
	0311.022.620	SPIDEM/GREY FIXED DISPENSING CHANNEL	
22	0311.022.490.B	GREY/7011 FIXED DISPENSING CHANNEL	
	0311.022.380	METAL/BLACK FIXED DISPENSING CHANNEL	
	0311.011.490	GREY/7011 MOBILE DISPENSING CHANNEL	
23	0311.011.620	SPIDEM/GREY MOBILE DISPENSING CHANNEL	
	0311.011.490.B	GREY/7011 MOBILE DISPENSING CHANNEL	
24	0311.011.380	METAL/BLACK MOBILE DISPENSING CHANNEL	
	0311.012.490	DISPENSER SUPPORT GREY/7011	
	0311.012.620	DISPENSING SUPPORT GREY SPIDEM	
	0311.012.380	DISPENSING SUPPORT METALLIZAT.BLACK	
	0311.009.380	METAL/BLACK COFFEE CONTAINER LID M5000	
	0311.009.560	MARB/GREY COFFEE CONTAINER LID M5000	
	0311.009.580	SILVER COFFEE CONTAINER LID M5000	
25	0311.009.620	SPIDEM/GREY COFFEE CONTAINER LID M5000	
	0311.009.150	GREY/7016 COFFEE CONTAINER LID M5000	
	0311.009.490	UNPAINTED COFFEE CONTAINER LID M5000	
	9141.051.490	GRINDING ADJUSTMENT KNOB	
26	U109.029	SCREW AUT.TCB 3,5X32 DIN 7981 C	
	146000850	GEAR COFF. GRIND. ADJUSTMENT COMBI	
28	9161.270	SEAL FOR COFFEE CONTAINER	
30	0311.010.490	GRATE M5000 GREY/7011	
	0311.010.620	GRATE M5000 GREY SPIDEM	
	0311.010.380	GRATE M5000 METALIZED BLACK	
	0311.005.380	METAL/BLACK DRIP TRAY M5000	
	0311.005.560	MARB/GREY DRIP TRAY M5000	
	0311.005.580	SILVER DRIP TRAY M5000	
	0311.005.620	SPIDEM/GREY DRIP TRAY M5000	
31	0311.005.150	GREY/7016 DRIP TRAY M5000	
	0311.005.490	GREY/7011 DRIP TRAY M5000	
	0311.017.050	BLACK SUPPORT FOR ELECTRONIC CARD M5000	
32	U110.005	SCREW AUT.TCB 3,9X9,5 DIN 7981 F	
34	9161.220	SPRING FOR FUNCTION BUTTON	
35	0311.015.490	FUNCTION BUTTON M5000 GREY/7011	
	0311.015.620	FUNCTION BUTTON M5000 GREY SPIDEM	
	0311.015.380	FUNCTION BUTTON M5000 METALIZ.BLACK	

**Saeco**  
INTERNATIONAL GROUP

**SUP 018 V2**  
UP TO S/N. 984044420

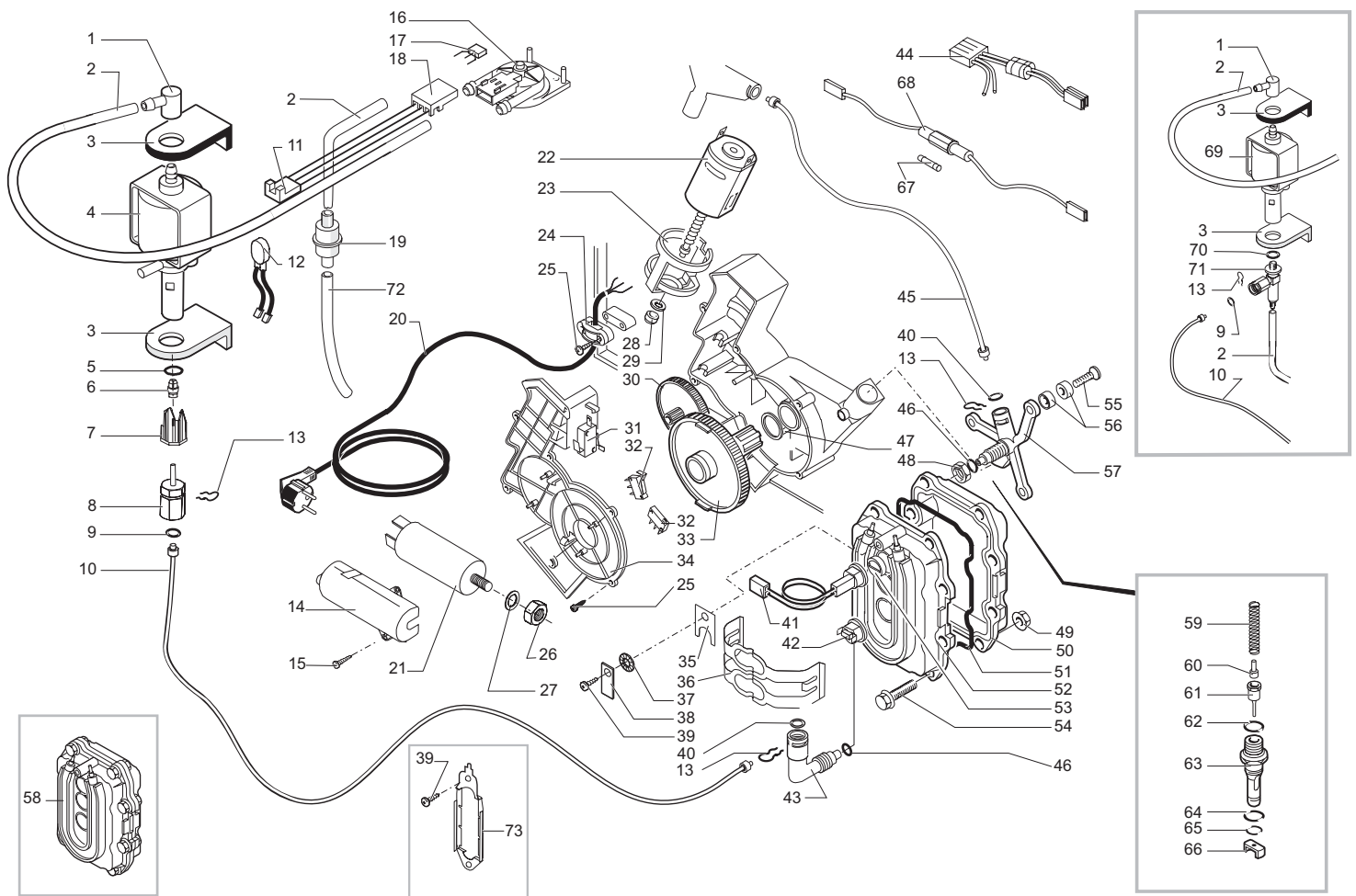


**Saeco** SUP 018 V2  
INTERNATIONAL GROUP UP TO S/N. 984044420

CE Cod. 7414  
Cod.10001204

POS	CODE	DESCRIPTION	NOTE	POS	CODE	DESCRIPTION	NOTE
36	NE03.029	ROLD SWITCH CM E1058	230V	54	0311.028.270.A	YELLOW DOOR M5000 S/SCREEN VIENNA	
	186076255	UNIP. SWITCH ROLD 120V CM A1058	120V		228994053	DOOR M5000 ME/BLACK S/SCR.EDITION K	
37	181565558	ELECT.BOARD M5000-V2 + /PREINF.230	WITH ALUM. BOILER		228994259	DOOR M5000 GREY/7016 DOOR M5000 S/SCR.LIMITED EDIT.	
	181565555	EL.BOARD CPU M5000-V2 WO/PREINF.1	WITH ALUM. BOILER		228994463	DOOR M5000 GREY S/SCREEN CAFF.MILAN	
	181554658	ELECTR.BOARD M5000-V3 + PREINF.230V	WITH AL.BO.WITH RES.		0311.028.670	GREY/3557 DOOR M5000 S/SCREEN VIENNA	
	181554655	ELECTR.BOARD M5000-V3 + PREINF.120V	WITH AL.BO.WITH RES.		228994363	DOOR M5000 GREY S/SCREEN EDITION 4	
	181565358	EL.BOARD CPU M5AV1-6 W O/PREINF.23	WITHOUT PREINF.		228995263	DOOR M5000 GREY S/SCREEN EDITION 5	
38	U140.004	PANELVIT TCB 3,0X12 DIN 7505 B GAL			228991550	DOOR M5000 MA.GREY S/SCR.CAF.GRANDE	
39	0311.014.490	ON/OFF BUTTON FOR M5000 GREY/7011			0311.028.560.A	MARB/GREY DOOR M5000 S/SCREEN VIENNA	
	0311.014.620	ON/OFF BUTTON FOR M5000 GREY SPIDEM					
	0311.014.380	ON/OFF BUTTON FOR M5000 METAL.BLACK					
40	0311.026.380	FRONT PANEL M5000 MET.BLACK S/SCREEN					
	0311.026.560	FRONT PANEL M5000 MARB.GREY S/SCREE					
	0311.026.600	FRONT PANEL M5000 MARB.CREAM S/SCRE					
	0311.026.270.A	FRONT PANEL M5000 YELLOW S/SCREEN					
	0311.026.150	FRONT PANEL M5000 GREY7016 S/SCREEN					
	0311.026.490	FRONT PANEL M5000 GREY7011 S/SCREEN					
	0311.026.670	FRONT PANEL M5000 GREY3557 S/SCREEN					
	0311.026.560.A	FRONT PANEL M5000 MARB.GREY S/SCREE					
41	0311.016.490	DOSE ADJUSTMENT KNOB M5000 GREY7011					
	0311.016.620	DOSE ADJUSTM.KNOB M5000 GREY SPIDEM					
	0311.016.380	DOSE ADJUSTMENT KNOB M5000 METBLACK					
42	13000030	UPPER INSERT POLYSTIR.BOX M5000					
43	13000031	LOWER INSERT POLYSTIR.BOX M5000					
44	178505000	DISPLAY BOX SAECO M5000 VIENNA					
	178505100	DISPLAY BOX SAECO M5000 CAFF'	CAFF' MILANO				
	178514600	FLESSOGR.BOX SAECO M5000 CAF.GRANDE					
45	224640200	EXTERNAL FILTER FOR WATER CONTAINER ASSY	WITH PART. N°48				
46	127390100	BRUSH FOR CLEANING					
47	145850100	ADH. SEAL FRONT FUSTEL.PLA. M5000					
48	140328461	EPDM OR METRIC 0190-10					
49	0311.951	INSTRUCTION BOOKLET SAECO EXPORT					
	165891600	INST.MANUAL SAECO CAF.MILAN SUP018C					
	165932300	INST.MANUAL SAECO CAF.GRANDE SUP018					
50	147755280	BEAN CONT. PROT. + DOS ADJUST S500					
51	147715659	COFFEE DOSE ADJUST. KNOB M5000					
52	146001850	COFFEE DOSE ADJ.GEAR BLACK M5000					
53	145894700	ROTATING RING RETAINING INSERT					
54	0311.028.380	METAL/BLACK DOOR M5000 S/SCREEN VIENNA					
	0311.028.560	MARB/GREY DOOR M5000 S/SCREEN VIENNA					
	0311.028.600	MARB/CREAM DOOR M5000 S/SCREEN VIENNA					

**Saeco** SUP 018 V2  
INTERNATIONAL GROUP UP TO S/N. 984044420



**Saeco**  
INTERNATIONAL GROUP

**SUP 018 V2**  
UP TO S/N. 984044420

**ALUM. BOILER 230V**  
UP TO S/N. 9003SA40005738



**Cod. 7414**  
**Cod.10001204**

POS	CODE	DESCRIPTION	NOTE
01	147920150	90°CONNECTOR PUMP INLET	
02	149360200	SILICONE TUBE 5X8 70SR IN ROLL	
03	149185850	EATON PUMP SUPPORT MAGIC 4002012	
04	9070.037.00A	PUMP PO 01 230V 50HZ	
05	NM03.018	OR 2025 NBR	
06	9071.075	BICONE IN PLASTIC FOR TUBE D.6	
07	9071.071	RING NUT FOR TUBE RETAINING D.6	
08	9071.097	CONNECTOR FOR TUBE D.4	
09	NM02.028	OR 2015 EPDM FDA	
10	227872100	TEFLON TUBE 2X4 L=235 MM ASSY	
11	283542200	3 POLES CONNECTORS TURB.M5000 ASSY.	
12	0311.807	YELLOW HARNESS KLIXON JP 13	
13	9011.144	FORK FOR TUBE D.4	
14	142851100	ANTIDISTURB FILTER COVER M5000	
15	129660902	PANELVIT TCB SCREW 3,5X12 D.7505 Z	
16	286473300	-M-VDE TURBINE WITH SENSOR KIT PARTICULAR NOT AVAILABLE	WIT PART. N°17 SEE PART. N°16
18	9161.018	BRACKET FOR TURBINE	
19	144650300	SUCTION FILTER GAUZE NET 500 (NEW	
20	183910450	POWER CABLE SCHUKO BLACK L=1500	
	183930250	POW.CABLE CH BLACK H05+3FAST.L=1500	
	183950150	P.CABLE ITALY BLACK .H05 + FAST.L=	
21	184651100	ANTIDISTURB FILTER 0.47X2+1000Y2+0.5L	
22	286891358	GEN.MOTOR FOR RATIOMOTOR M/S 5000 ASSY.	WITH PART. N°23-44
23	9121.044	ANTIVIBRATION FOR MOTOR	
24	148600600	CABLE CLAMP V0 MAGIC ESP COMBI UL	
25	129670202	PANE. TCB SCREW 3,5X16 TESTA D=8 Z	
26	123270202	NUT M8 LOW UNI 5589 -A-6S GALVANIZED	
27	128310802	WASHER UNI 8842 A8 GALV.	
28	9121.046	SINTERED BUSH FOR MOTOR	
29	148380200	WASHER BAKELIZZATE D=5,5	
30	9121.042	GEAR Z.12/90	
31	NE05.042	MICROSWITCH	
32	NE05.038	MICROSWITCH	
33	9121.068.150	GEAR Z=108 FOR MOUNTING PLATE M5000	
34	9161.200.920	TRANSPARENT LID FOR RATIOMOTOR M5000	
35	126836402	PROBE LOCKING SPRING FOR BOIL. M50	
36	9011.142	THERMOSTAT RETAINING SPRING	
37	128310504	WASHER UNI 8842 A5 BURN.	
38	186400600	FLAT TABS 6,3 D=5,3 0010487200	
39	129575403	SCREW TAPT M5X10 DIN 7500C NICK	
40	140328059	OR 2015 IN SILICONE PTFE/FDA	
41	286472258	SENSOR KIT FOR CA M/S 5000 V2	230V
42	189428200	THERMOSTAT 175° 1NT-08L-3794	
43	127914020	BRASS 90 DEG FIT.1/8" GAS MASTER	

POS	CODE	DESCRIPTION	NOTE
44		PARTICULAR NOT AVAILABLE	SEE PART. N°22
45	227872000	CONNECTOR AS. TEFLON 2X4 L=440 MM	
46	140321462	OR 2018 IN SILICONE	
47	9161.132	MYLAR WASHER FOR RATIOMOTOR	
48	123390420	NUT 1/8 GAS H=4.5 CH=13 BRASS	
49	123270102	NUT M6 FLANGED TOOTHED BASE GALV	
50		PARTICULAR NOT AVAILABLE	SEE PART. N°58
51	9011.129	BOILER SEAL	
52		PARTICULAR NOT AVAILABLE	SEE PART. N°58
53	11004424	ALUM.SPACER FOR PHILIPS SENSOR MAGIC	
54	U046.004	SCREW TEFLON M6,0X26 GALV.	
55	U044.017	SCREW TSPC M5,0X20 UNI 7688 GALV.	
56	9161.206	INSULATING SPACER FOR BOILER	
57	9011.126	ALU.BOILER SUPPORT BRASS	
58	286472858	SPARES KIT AN/BOIL+SENS.CAB.M5000/F	
	286473058	SPARES KIT AN/BOIL+SENS.AS.M5000V2F	
59	9011.132	SPRING FOR PIN	
60	227480203	BRASS/NIK.PIN FOR PISTON L=20,9	
61	227660103	BRASS PISTON L=20,9 ASSY.	
62	140320459	OR METRICO 0080-20 SILICON.PTFE/FDA	
63	9011.100	PEG FOR VALVE IN PLASTIC	
64	NM01.035	OR ORM 0090-20 SILICONE	
65	NM01.057	OR ORM 0050-20 SILICONE	
66	9011.099	M CURSOR FOR BOILER VALVE IN PLASTIC	
67	327002200	FUSE T6.3 AMP.5X20 RETARDED	
68	183003662	1 STR+ SIL. CABLE BLUE 510 MM	
69	12000140	ULKA PUMP EP5/S GW 230V-50HZ	
70	140321961	OR 2031 IN TERMOIL	
71	229451300	PUMP SAFETY VALVE D=8 ULKA PUMP	
72	JS01.022	SILICONE TUBE 5X10 60 SHORE IN ROLL	
73	126836517	STEEL SPRING RETAIN.3 THE.BOIL. M5	
	289433200	GEN TURB. AS.UNIFIED FOR M5000	VALID FROM 01-01-99

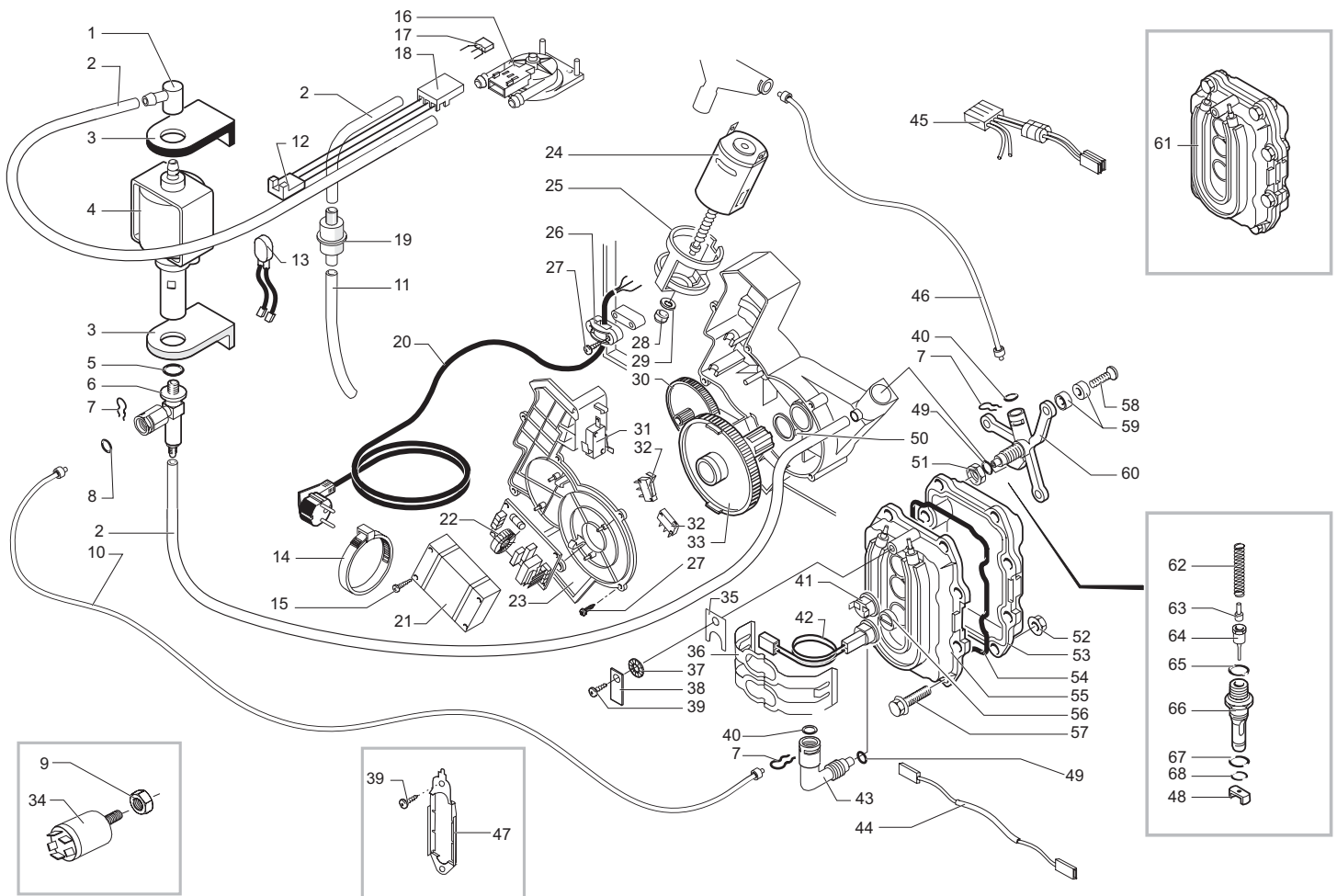
**Saeco**  
INTERNATIONAL GROUP

**SUP 018 V2**  
UP TO S/N. 984044420

**ALUM. BOILER 230V**  
UP TO S/N. 9003SA40005738

Rev. 08 - 21/12/06

TAVOLA 2/5



**Saeco**  
INTERNATIONAL GROUP

**SUP 018 V2**  
UP TO S/N. 984044420

**ALUM. BOILER 100-120V**  
UP TO S/N. 9003SA40328365



**Cod. 7414**  
**Cod.10001204**

POS	CODE	DESCRIPTION	NOTE	POS	CODE	DESCRIPTION	NOTE
01	147920150	90°CONNECTOR PUMP INLET		42	286471555	SENSOR KIT FOR CA M/S 5000	100V (J)
02	149360200	SILICONE TUBE 5X8 70SR IN ROLL			286472255	SENSOR KIT FOR CA M/S 5000 V2	120V
03	149185850	EATON PUMP SUPPORT MAGIC 4002012		43	127914020	*BRASS 90 DEG FIT.1/8" GAS MASTER	
04	12000131	ULKA PUMP EP5/S	120V-60HZ	44	183361062	CABLE 1 WIRE SIL.BLUE AWG18 + FUSE	
	12000130	ULKA PUMP EP5/S GW	100V-50/60HZ (J)	45		PARTICULAR NOT AVAILABLE	SEE PART. N°24
05	140321961	OR 2031 IN TERMOIL		46	227872000	CONNECTOR AS. TEFLON 2X4 L=440 MM	
06	229451300	PUMP SAFETY VALVE D=8 ULKA PUMP		47	126836517	STEEL SPRING RETAIN.3 THE.BOIL. M5	
07	9011.144	FORK FOR TUBE D.4		48	9011.099	M CURSOR FOR BOILER VALVE IN PLASTIC	
08	NM02.028	OR 2015 EPDM FDA		49	140321462	OR 2018 IN SILICONE	
09	123453602	FLANGE NUT M8 TOOTHED BASE GALV.		50	9161.132	MYLAR WASHER FOR RATIOMOTOR	
10	227872100	TEFLON TUBE 2X4 L=235 MM ASSY		51	123390420	NUT 1/8 GAS H=4.5 CH=13 BRASS	
11	JS01.022	SILICONE TUBE 5X10 60 SHORE IN ROLL		52	123270102	NUT M6 FLANGED TOOTHED BASE GALV	
12	283542200	3 POLES CONNECTORS TURB.M5000 ASSY.		53		PARTICULAR NOT AVAILABLE	SEE PART. N°61
13	289201000	THERMAL. PROTECT 120 C CABLE.125/3		54	9011.129	BOILER SEAL	120V
14	144320500	SELF LOCK STRIP L=290 MM			145854200	BOILER SEAL	100V (J)
15	129660902	PANELVIT TCB SCREW 3.5X12 D.7505 Z		55		PARTICULAR NOT AVAILABLE	SEE PART. N°61
16	286473300	-M-VDE TURBINE WITH SENSOR KIT	WITH PART. N°17	56	11004424	ALUM.SPACER FOR PHILIPS SENSOR MAGIC	
17		PARTICULAR NOT AVAILABLE	SEE PART. N°16	57	U046.004	SCREW TEZF M6,0X26 GALV.	
18	9161.018	BRACKET FOR TURBINE		58	U044.017	SCREW TSPC M5,0X20 UNI 7688 GALV.	
19	144650300	SUCTION FILTER GAUZE NET 500 (NEW		59	9161.206	INSULATING SPACER FOR BOILER	
20	183910450	POWER CABLE SCHUKO BLACK L=1500		60	9011.126	ALU.BOILER SUPPORT BRASS	
	NE01.026	POWER CABLE SJT3C USA GREY 3FL.1500		61	286472854	SPARES KIT AN/BOIL+SENS.CAB.M5000/F	100V (J)
	183921350	POW.CABLE SJT3C 16AWG USA BLA.5FL.1700			286473055	SPARES KIT AN/BOIL+SENS.AS.M5000V2F	120V
	183921360	PO.CABLE SJT3C 16AWG USA GREY.5FL=1700		62	9011.132	SPRING FOR PIN	
21	142844459	GREY COVER FILTER EL.CARD MAGIC		63	227480203	BRASS/NIK.PIN FOR PISTON L=20,9	
22	181563155	ELECTR.BOARD 120V FILTERING MAGIC		64	227660103	BRASS PISTON L=20,9 ASSY.	
23	9161.200.920	TRANSPARENT LID FOR RATIOMOTOR M5000		65	140320459	OR METRICO 0080-20 SILICON.PTFE/FDA	
24	286891355	GEN.MOTOR FOR RATIOMOTOR M/S5000 UL ASSY	WITH PART. N°25-45	66	9011.132	PEG FOR VALVE IN PLASTIC	
25	9121.044	ANTIVIBRATION FOR MOTOR		67	NM01.035	OR ORM 0090-20 SILICONE	120V
26	148600600	CABLE CLAMP V0 MAGIC ESP COMBI UL			140323161	OR METRIC 0090-20 IN TERMOIL	100V (J)
27	129670202	PANE. TCB SCREW 3.5X16 TESTA D=8 Z		68	NM01.057	OR ORM 0050-20 SILICONE	120V
28	9121.046	SINTERED BUSH FOR MOTOR			140324761	OR METRIC 0050-20 IN TERMOIL	100V (J)
29	148380200	WASHER BAKELIZZATE D=5,5			289433200	GEN TURB. AS.UNIFIED FOR M5000	VALID FROM 01-01-99
30	9121.042	GEAR Z.12/90					
31	NE05.042	MICROSWITCH					
32	NE05.038	MICROSWITCH					
33	9121.068.150	GEAR Z=108 FOR MOUNTING PLATE M5000					
34	NE13.023	EICHHOFF FILTER 16A					
35	126836402	PROBE LOCKING SPRING FOR BOIL. M50					
36	9011.142	THERMOSTAT RETAINING SPRING					
37	128310504	WASHER UNI 8842 A5 BURN.					
38	186400600	FLAT TABS 6,3 D=5,3 0010487200					
39	129575403	SCREW TAPT M5X10 DIN 7500C NICK					
40	140328059	OR 2015 IN SILICONE PTFE/FDA					
41	189428200	THERMOSTAT 175° 1NT-08L-3794					

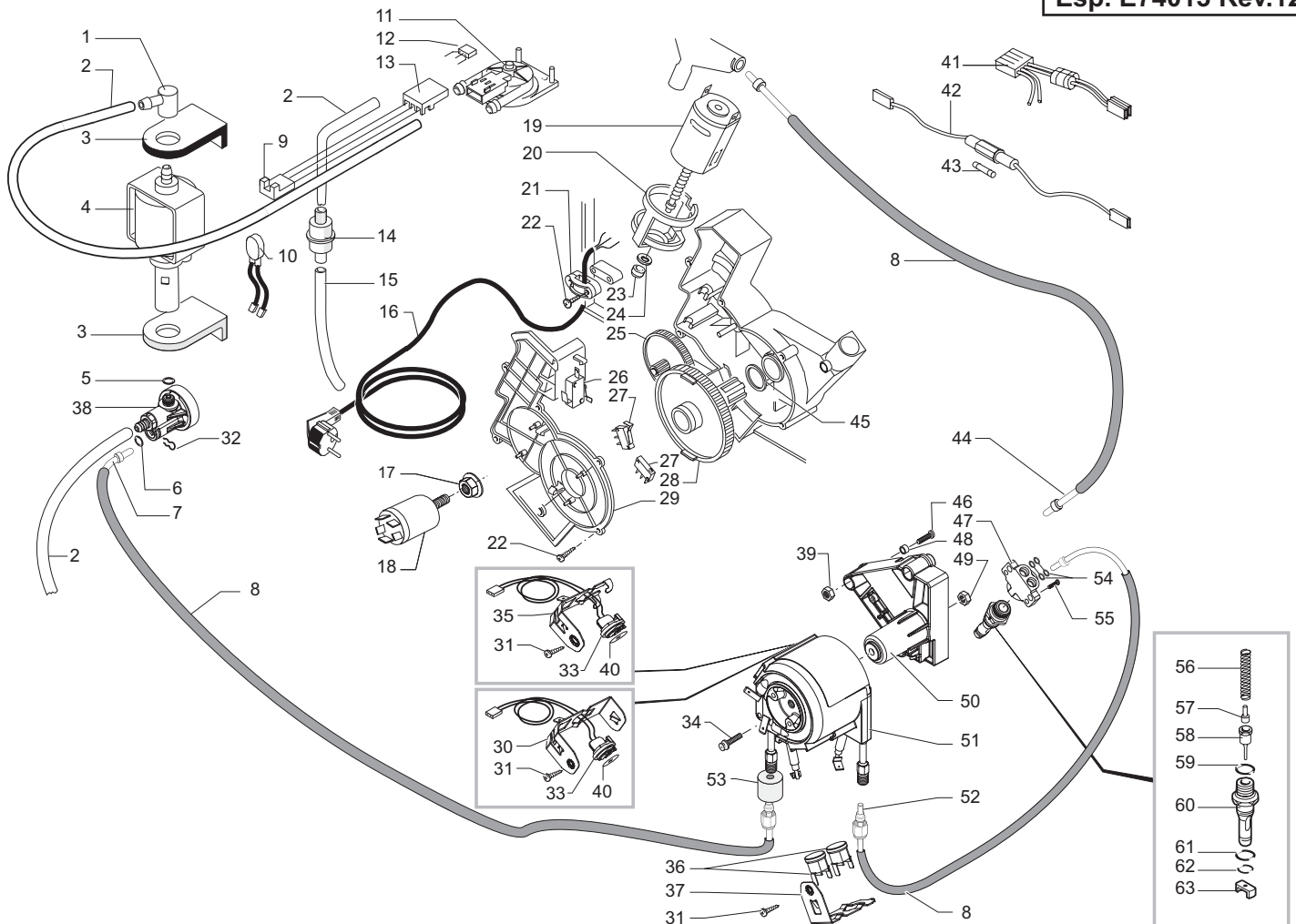
**Saeco**  
INTERNATIONAL GROUP

**SUP 018 V2**  
UP TO S/N. 984044420

**ALUM. BOILER 100-120V**  
UP TO S/N. 9003SA40328365

Rev. 09 - 21/12/06

TAVOLA 3/5



**Saeco**  
INTERNATIONAL GROUP

**SUP 018 V2**  
UP TO S/N. 984044420

**ALUM. BOILER WITH RESIST.**  
230V FROM S/N. 9003SA40005739  
120V FROM S/N. 9003SA40328366



**Cod. 7414**  
**Cod.10001204**

POS	CODE	DESCRIPTION	NOTE	POS	CODE	DESCRIPTION	NOTE
01	147920150	90°CONNECTOR PUMP INLET		33	288582200	SENSOR ASS.FOR ALLUM.BOILER AS.	
02	149360200	SILICONE TUBE 5X8 70SR IN ROLL		34	129932202	ROUND HEAD SCREW 10.9 M5X20 GALV	
03	149185850	EATON PUMP SUPPORT MAGIC 4002012		35	126838217	SENSOR FIXING SPRING	
04	12000140	ULKA PUMP EP5/S GW	230V-50HZ				
	12000131	ULKA PUMP EP5/S	120V-60HZ				
	12000130	ULKA PUMP EP5/S GW	100V-50/60HZ				
05	140321961	OR 2031 IN TERMOIL		36	189428200	THERMOSTAT 175° 1NT-08L-3794	
06	NM02.028	OR 2015 EPDM FDA		37	126838117	2 THERMOSTATS FIXING SPRING	
07	227874900	CONNECTOR AS.TEFLON 2X4 L=250 MM		38	229452100	COMPENSATION AND SAFETY VALVE 16BAR ASSY	
08	149361200	BLACK SILICON TUBE 7,5X9,3 IN ROLL		39	U310.003	NUT SELF LOCK.M5 UNI 7473	
09	283542200	3 POLES CONNECTORS TURB.M5000 ASSY.					
10	0311.807	YELLOW HARNESS KLIXON JP 13	230V	40	145951600	ELECTRIC INSULATING DISK D=16	SEE PART. N°19
	289201000	THERMAL. PROTECT 120 C CABLE.125/3	100-120V	41	183003662	1 STR+ SIL. CABLE BLUE 510 MM	230V
11	286473300	-M-VDE TURBINE WITH SENSOR KIT	WITH PART. N°12	42	183361062	CABLE 1 WIRE SIL.BLUE AWG18 + FUSE	100-120V
12		PARTICULAR NOT AVAILABLE	SEE PART. N°11	43	327002200	FUSE T6,3 AMP.5X20 RETARDED	230V
13	9161.018	BRACKET FOR TURBINE			184950200	FUSE T15 AMP.DELAYED	100-120V
14	144650300	SUCTION FILTER GAUZE NET 500 (NEW		44	11002649	CONNECTOR AS.TEFLON 2X4 L=480 MM	
15	JS01.022	SILICONE TUBE 5X10 60 SHORE IN ROLL		45	9161.132	MYLAR WASHER FOR RATIOMOTOR	
16	183910450	POWER CABLE SCHUKO BLACK L=1500		46	U044.020	SCREW TSP M5,0X30 UNI 7688 GALV.	
	183930250	POW.CABLE CH BLACK H05+3FAST.L=1500			129932502	GALVANIZDE SELF DRILLING SCREW 5X30	
	183950150	P.CABLE ITALY BLACK .H05 + FAST.L=					
	183922060	POWER CABLE SJT3C USA GREY 5F.L1590		47	147922700	BOILER SUPPORT CONNECTOR	
	183980550	POWER CABLE JAPPON VCTF BLACK L=1590		48	9161.206	INSULATING SPACER FOR BOILER	
	11003361	GREY POWER CABLE BRAZIL 5F.L=1590		49	123453902	SELF-LOCKI.NUT M5X0,8 DIN 980 CLA.8	
	183940250	BLACK POWER CABLE AUSTR.H05+FAST.L=1500		50	20000203	SPARES KIT SUPPORT BOILER M5000	
	NE01.026	POWER CABLE SJT3C USA GREY 3F.L1500					
	183990950	BLACK POWER CABLE RVV 3X1 CHINA L=1590MM			149197900	SUPPORT FOR ALLUMINIUM BOILER	
17	123453602	FLANGE NUT M8 TOOTHED BASE GALV.					
18	184651100	ANTIDISTURB FILTER 0,47X2+1000Y2+0,5L	230V	51	282058858	ALUM.BOILER WITH RESISTANCE	230V-1100V
	184651500	ANTIDISTURB FILTER 16A FNC 1610474472A	120V		282058855	ALUM.BOILER WITH RESISTANCE	120V-275W
19	11003032	GENERAL MOTOR FOR RATIOMOTOR M5000 ASSY.	WITH PART. N°20-41		282058854	ALUM.BOILER WITH RESISTANCE	100V-1100W
20	9121.044	ANTIVIBRATION FOR MOTOR			227876800	CONNECTOR TEFLON 2X4 L=235 MM ASSY.	
21	148600600	CABLE CLAMP V0 MAGIC ESP COMBI UL		53	147756562	PROTECTION FOR FOLK SPRING TUBE D=4	
22	129670202	PANE. TCB SCREW 3,5X16 TESTA D=8 Z		54	140328059	OR 2015 IN SILICONE PTFE/FDA	
23	9121.046	SINTERED BUSH FOR MOTOR		55	129910103	HI-LO TC SCREW 3,5X15 RIF.910189	
24	148380200	WASHER BAKELIZZATE D=5,5		56	9011.132	SPRING FOR PIN	
25	9121.042	GEAR Z.12/90		57	227480203	BRASS/NIK.PIN FOR PISTON L=20,9	
26	NE05.042	MICROSWITCH		58	227660103	BRASS PISTON L=20,9 ASSY.	
27	NE05.038	MICROSWITCH		59	140320459	OR METRICO 0080-20 SILICON.PTFE/FDA	
28	9121.068.150	GEAR Z=108 FOR MOUNTING PLATE M5000		60	9011.100	PEG FOR VALVE IN PLASTIC	
29	9161.200.920	TRANSPARENT LID FOR RATIOMOTOR M5000		61	NM01.035	OR ORM 0090-20 SILICONE	
30	126838017	SENSOR FIXING SPRING		62	NM01.057	OR ORM 0050-20 SILICONE	
		UP TO S/N. 9004SA40074124		63	9011.099	M CURSOR FOR BOILER VALVE IN PLASTIC	
31	129573402	SCREW TAPT M4X10 DIN 7985 GALV					
32	9011.144	FORK FOR TUBE D.4					

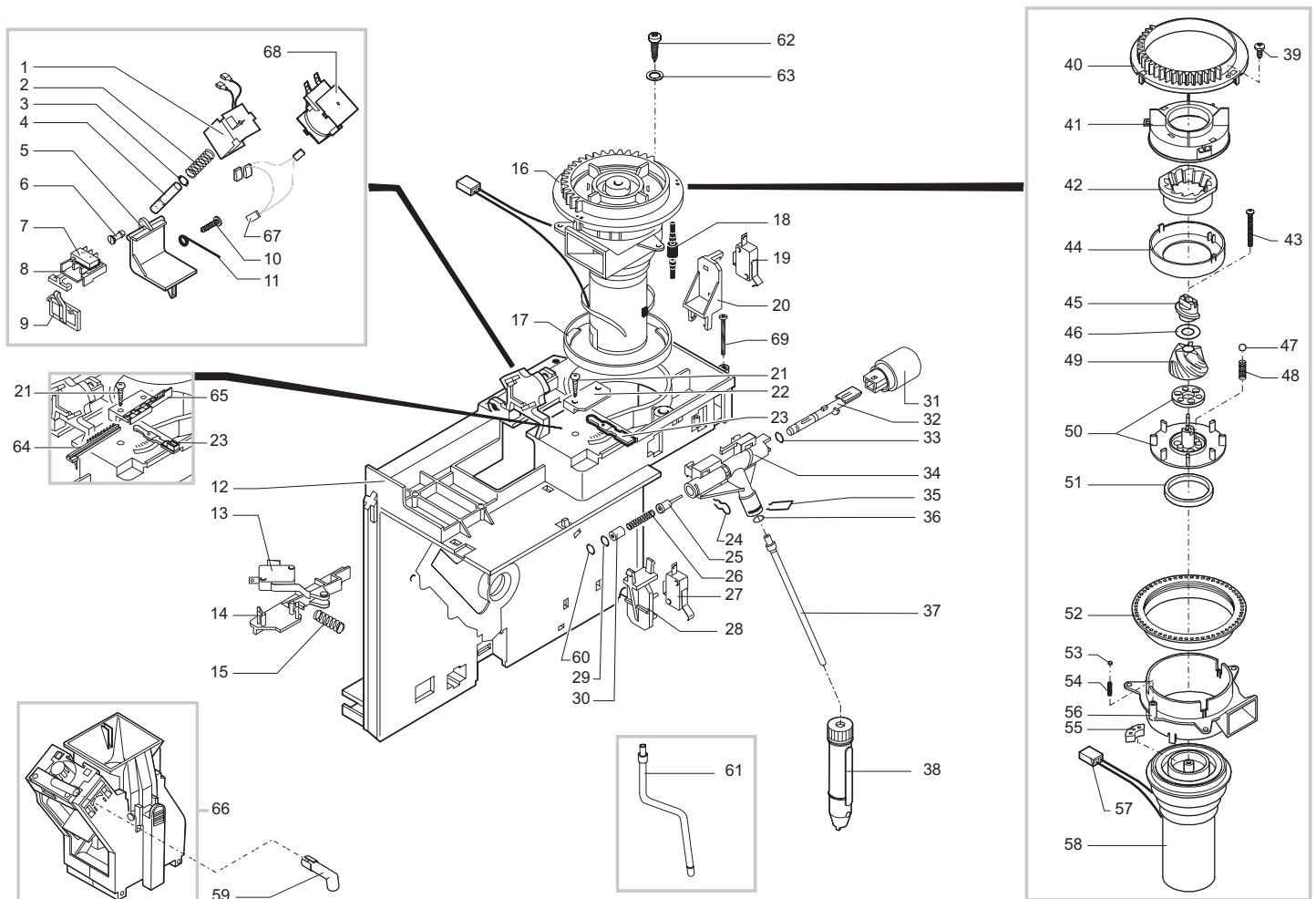
**Saeco**  
INTERNATIONAL GROUP

**SUP 018 V2**  
UP TO S/N. 984044420

**ALUM. BOILER WITH RESIST.**  
230V FROM S/N. 9003SA40005739  
120V FROM S/N. 9003SA40328366

Rev. 03 - 21/12/06

TAVOLA 4/5



**SUP 018 V2**  
UP TO S/N. 984044420

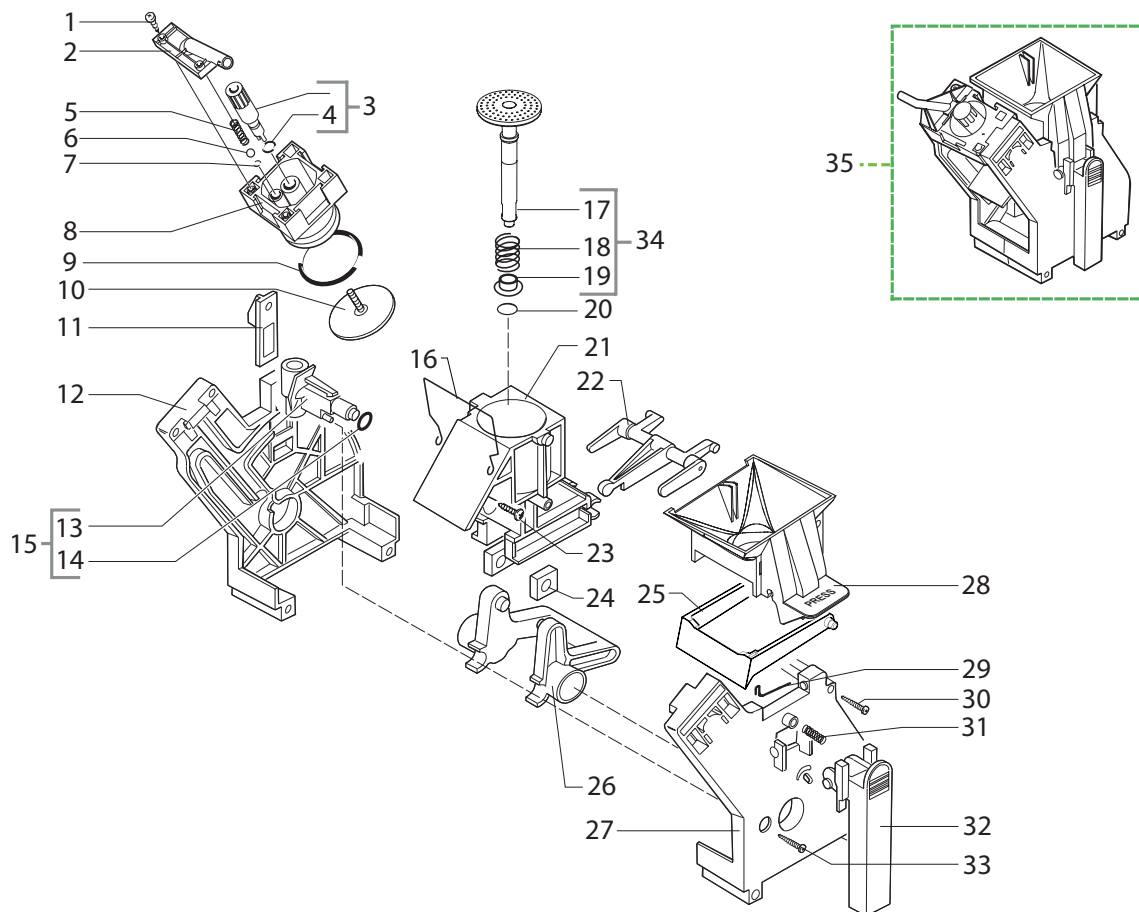


**Cod. 7414**  
**Cod.10001204**

POS	CODE	DESCRIPTION	NOTE	POS	CODE	DESCRIPTION	NOTE
01	9129.A07.00A	COFFEE DOSER COIL ASS. UP TO S/N. 20024065687	230V	38	147430150	PANNARELLO AS. BLACK PLASTIC	
	283770755	V2 COFFEE DOSER COIL ASS.	120V		147430163	PANNARELLO AS. GREY PLASTIC	
02	126764818	SPRING ELECTROM.BEAN DOSER MAGIC			147430161	PANNARELLO AS. GREY /SPIDEM PLASTI	
03	U701.003	SNAP RING 7 UNI 7434			129511803	SCREW TCB 2,9X6,4 DIN 7981 NICK	
04	9161.041	DOSER ELECTROMAGNET CORE			148650250	SECTOR GEARGRIND ADJUSTMENT KNOB COMBI	
05	9161.074.150	DOSER DOOR GREY		41	149186150	BLACK UPPER GRINDER SUPPORT MAGIC	
06	9161.076.150	DOSER DOOR PIN GREY		42		PARTICULAR NOT AVAILABLE	SEE PART. N°49
07	NE05.017	MICROSWITCH		43	129931002	TORX SCREW T10 TCB 3,5X40 SX ZNG	
08	149185959	BEAN DOSER MICRO SUPORT MAGIC		44	142844550	UPPER GRINDER COVER COFFEE GRIND. MAGIC	
09	148700559	COFFEE DOSER DOSE ADJ. SEL. GR MAG		45	147470763	INCREASE SCREW PIN COFFEE GRINDER MAGIC	
10	U140.004	PANELVIT TCB 3,0X12 DIN 7505 B GAL		46	U201.002	PLAIN WASHER 10X16X0,2DIN 988 GAL	
11	9161.048	SCRAPER ROD		47	128610521	STAIL.STEEL AISI 304 SPHERE D=5,5MM	
12	9161.249.150	MOUNTING PLATE ASSEMBL.GREY		48	126765517	STEEL SPRING SPHERE D=5,5 MOTOR MAGIC	
13	186724000	MICROSWITCH SAIA X3M502K8MCM92AU		49	226473500	KIT TECNIA GRINDERS	WITH PART. N°42
14	9161.202.150	COMPENSATOR FOR GROUNDS MICRO		50	149188750	CONICAL GRIND. SUPP. + RING MAGIC	
15	9161.221	SPRING GROUND.MICROSUPP.COMPENSA		51	140360200	FELT RING 40X34X5	
16	286883755	GENER.MOTOR AS.M5000 (STD/V2)	120V	52	146570950	RING NUT FOR GRINDING ADJUSTMENT MAGIC	
	286883758	GENER.MOTOR AS.M5000 (STD/V2)	230V	53	128610421	STAIL.STEEL AISI 304 SPHERE D=3,2MM	
	286883858	GENER.MOT.AS.230V M5000 (ITALY/V2)	230V	54	126770117	NEW SPRING SPHERE D=3,2 MOTOR MAGI	
	286883754	GENER.MOTOR AS.M5000 (STD/V2)	100V	55	140230400	SHOCK ABS .CONICAL GRINDER SUPP.MAGIC	
17	9141.052	COFFEEGRINDER REINFORCING RING		56	149186350	GRINDER MOTOR SUP.BLACK MAGIC	
18	9991.103	ANTIVIBRATION FOR COFFEEGRINDER		57	283544900	2POLES CONN.AS.COF.GRIN.JP1 33MH CA	230V
19	NE05.043	MICROSWITCH			283542600	2 P.CONN.AS. COFF.GRIND.JP1 CA	100-120V
20	9161.207.150	SUPPORT FOR FAUCET MICRO		58	286851858	MOTOR AS.NEW MAGIC DE LUXE	230V
21	129660902	PANELVIT TCB SCREW 3,5X12 D.7505 Z			286851855	MOTOR AS.NEW MAGIC DE LUXE	120V
22	147571059	GREY LEVER FIX.PLATE W/O DOSE ADJUSTM.			286851854	MOTOR AS.NEW MAGIC DE LUXE	100V
23	9161.122.150	DOSE ADJUSTMENT LEVER GREY CLASSIC		59	0311.023.150	SLEEVE FOR DISPENSER	
24	9011.144	FORK FOR TUBE D.4		60	140328161	OR D=3,85 X 1,90 IN EPDM	
25	227660103	BRASS PISTON L=20,9 ASSY.		61	229380908	CHROMED STEAM TUBE AS.L=125,88 S5000	
26	126765317	STEEL SPRING BOIL. PISTON MAG.9011		62	129670202	PANE. TCB SCREW 3,5X16 TESTA D=8 Z	
27	186723600	MICROSWITCH SAIA X3M502K2KAM92AS		63	U207.004	PLAIN WASHER 4,3X16 UNI 6592 GAL	
28	9161.208.150	SUPPORT FOR DOOR MICRO		64	148740450	TOOTHED SLIDE FOR DOSE ADJUST GEAR	
29	NM02.028	OR 2015 EPDM FDA		65	147571850	BLACK LEVER FIXING PLATE + DOSE ADJUSTM.	
30	9991.112	BUSH FOR FAUCET		66	11004181	BLACK BREW UNIT NEW M5000	
31	227720963	STEAM KNOB M5000 GREY/7011 S/SCR.				SEE EXPL. COD .E90050 LASTPAGES	
	227720960	STEAM KNOB M5000 SPID/GREY S/SCR.				NOTE: FOR SINGLE PART. OF THE OLD GROUP	
	227720761	SPIDEM/GREY STEAM KNOB M5000-SPIDEM S/SCR				COFFEE' GREY	
	227720953	STEAM KNOB M5000 MET BLACK S/SCREE				SEE EXPL. COD. E90026 LASTPAGES	
32	9161.205	STEAM TAP SHAFT		67	289202800	THERMAL PROTECTOR 100 C CAB.145/280	
33	140328561	OR D=4,18 X 1,90 IN TERMOIL		68	9129.A23.00A	WHOLE COIL M5000/S5000	230V
34	9161.204.G	STEAM FAUCET				FROM S/N. 20024065688	
35	126764018	SPRING D=1STEAM TUBE HOLDER JUN.		69	129661502	SCREW PANELVIT TCB 3X38 DIN 7505 ZN	
36	140324461	OR METRIC 0060-20 IN TERMOIL					
37	9011.149	STEAM TUBE ASSY.					



**SUP 018 V2**  
UP TO S/N. 984044420



**Saeco**® SUP 018



Cod. 11004181

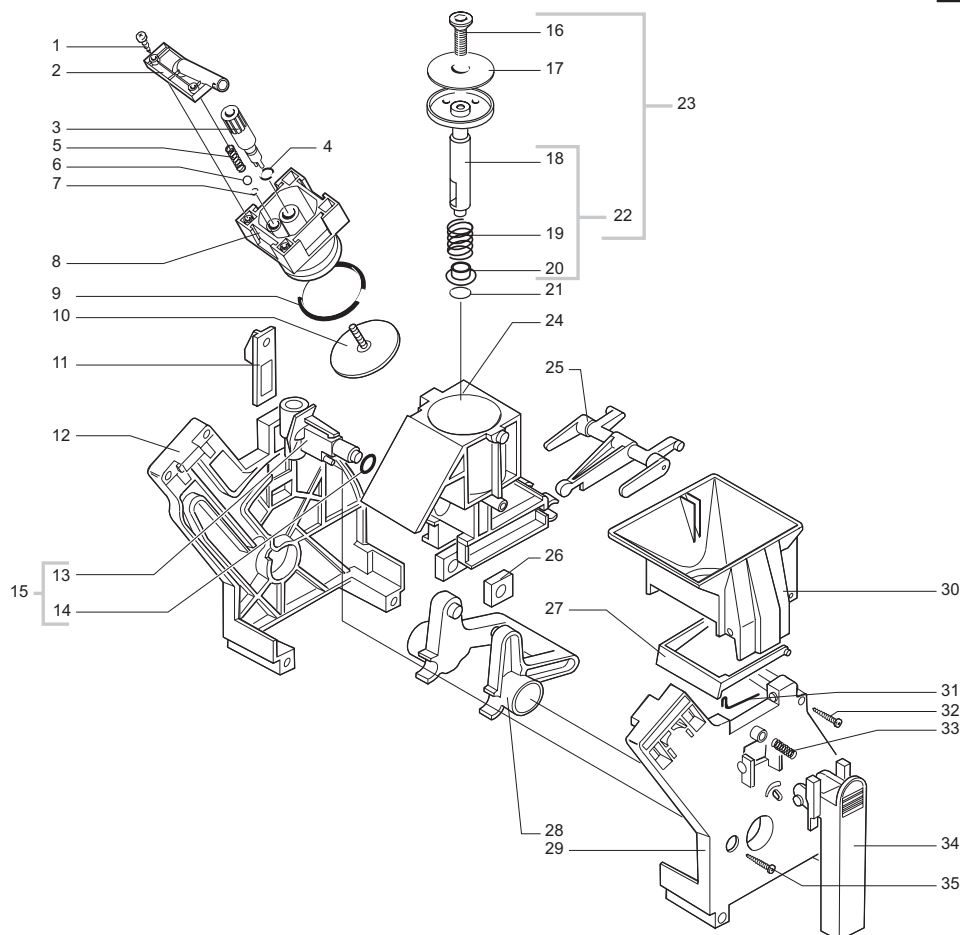
POS	CODICE	DESCRIZIONE	NOTE	POS	CODE	DESCRIPTION	NOTE
01	U140.019	PANELVIT TCB 3,0X16 DIN 7505 B INOX		01	U140.019	PANELVIT TCB 3,0X16 DIN 7505 B SS	
02	11003790	MANICOTTO USCITA CAF.GRUPPO M5000 NERO		02	11003790	BLACK COFFEE OUTLET SLEEVE	
03	227470150	AS.PERNO X DOCCIA COMPLETO NERO		03	227470150	PIN BLACK ASS.FOR PERCOLATOR	
04	NM02.006	OR R5 TERMOIL		04	NM02.006	OR R5 TERMOIL	
05	9161.222	MOLLA CONICA		05	9161.222	CONICAL SPRING	
06	9991.168	SFERA IN VETRO D.5 MM		06	9991.168	GLASS SPHERE D.5MM	
07	NM02.013	OR ORM 0080-15 TERMOIL		07	NM02.013	OR ORM 0080-15 TERMOIL	
08	11003796	CONTROPISTONE X GRUPPO CAFFE' NERO		08	11003796	BLACK COUNTERPISTON FOR COFFEE UNIT	
09	NM01.044	OR ORM 0320-40 SILICONE PTFE/FDA		09	NM01.044	OR ORM 0320-40 SILICONE PTFE/FDA	
10	9160.075	AS.DOCCIA DE=35,8 ELFO CVITE E DADO		10	9160.075	PERCOLATOR DE=35,8 ELFO ASSY.	
11	11004114	PIASTRINA X AGGANCIO GRUPPO CAFFE' NERO		11	11004114	BLACK PLATE FOR UNIT COUPLING	
12	11003792	PIASTRA POSTERIORE GRUPPO CAFFE' NERO		12	11003792	BLACK REAR PLATE FOR UNIT	
13	9161.064.050	MANICOTTO ENTRATA ACQUA NERO		13	9161.064.050	WATER INLET SLEEVE BLACK	
14	NM02.007	OR 2025 IN TERMOIL		14	NM02.007	OR 2025 IN TERMOIL	
15	20000440	GRUPPO RICAMBIO MANICOTTO NERO		15	20000440	BLACK SPARE SLEEVE UNIT	
16	11001556	MOLLA RASATORE H=49 X GRUPPO CAF.SMART		16	11001556	SPRING H=49 FOR COFFEE BREW UNIT SMART	
17	11003077	AS.PISTONE INTEGRALE GRUP.P124 8GR.NERO		17	11003077	BLACK INTEGRAL PISTON UNIT P124 8GR.ASS	
18	9161.198	MOLLA X PISTONE		18	9161.198	SPRING FOR PISTON	
19	9161.191	BOCCOLA X PISTONE NEUTRO		19	9161.191	BUSH FOR PISTON NEUTRAL	
20	NM02.018	OR METRICO 0090-25 IN TERMOIL		20	NM02.018	OR ORM 0090-25 TERMOIL	
21	11003075	AS.CONT.CAF.C/BOCC.SALD.GRUPP124 8G.NER	CON PART. N°20	21	11003075	COFF.CONT.WITH BEAR FOR BREW UNIT P124	WITH PART. N°20
22	11003078	BIELLA X GRUPPO P124 8GR.NERA		22	11003078	BLACK CONNECTING ROD FOR UNIT P124 8GR.	
23	129912521	VITE TCBR 3,5X14 PLAST.INOX		23	129912521	SCREW TCBR TORX 10 3,5X14 PLAST.SS	
24	9161.094.050	BLOCCHETTO FORATO X GRUPPO NERO		24	9161.094.050	DRILLED BLACK BLOCK FOR UNIT	
25	11004161	RASATORE X GRUPPO CAFFE' NERO		25	11004161	BLACK SCRAPER FOR COFFEE UNIT	
26	9161.066.050	ALBERO A GOMITO X GRUPPO NERO		26	9161.066.050	ELBOW SHAFT FOR UNIT BLACK	
27	11003793	PIASTRA ANTERIORE GRUPPO CAFFE' NERO		27	11003793	BLACK FRONT PLATE FOR UNIT	
28	11003795	TRAMOGGIA X GRUPPO CAFF.NERA SER.PRESS		28	11003795	BLACK HOPPER FOR PRESS UNIT	
29	9161.046	MOLLA X RASATORE GRUPPO		29	9161.046	SPRING FOR UNIT SCRAPER	
30	12000897	VITE TCB 3,5X20 PLAST.INOX		30	12000897	SCREW TCB TORX 10 3,5X20 PLAST.SS	
31	9161.045	MOLLA X IMPUGNATURA GRUPPO		31	9161.045	SPRING FOR UNIT HANDGRIP	
32	11003791	IMPUGNATURA X GRUPPO CAFFE' NERA		32	11003791	BLACK HANDGRIP FOR COFFEE UNIT	
33	12000550	VITE TCB 3X25 PLAST.INOX		33	12000550	SCREW TCB TORX 10 3X25 PLAST.SS	
34	11023086	AS.GEN.PISTONE INTEGR.GRUP.CAF.8GR.NER.		34	11023086	BLK 8GR.BREW UNIT NTEGR.PISTON GEN.ASSY.	
35	11004181	GRUPPO CAFFE' M5000 NEW NERO		35	11004181	BLACK BREW UNIT NEW M5000	

**Saeco**®

GRUPPO CAFFE' M5000 NEW NERO

Rev. 03 - 23/11/09

TAVOLA 1/1



**GRUPPO CAFFE' M5000**  
**X C.A. NON SAECO (CON FORO) GRIGIO**



Cod. 225800559

POS	CODICE	DESCRIZIONE	NOTE	POS	CODE	DESCRIPTION	NOTE
01	U140.019	PANELVIT TCB 3,0X16 DIN 7505 B INOX		001	U140.019	PANELVIT TCB 3,0X16 DIN 7505 B SS	
02	0311.024.150	MANICOTTO USCITA CAF.GRUPPO M5000 GRIGIO		02	0311.024.150	GREY COFFEE OUTLET SLEEVE	
03	227470159	AS.PERNO X DOCCIA COMPLETO GRIGIO		03	227470159	PIN GREY ASS.FOR PERCOLATOR	
04	NM02.006	OR R5 TERMOIL		04	NM02.006	OR R5 TERMOIL	
05	9161.222	MOLLA CONICA		05	9161.222	CONICAL SPRING	
06	9991.168	SFERA IN VETRO D.5 MM		06	9991.168	GLASS SPHERE D.5MM	
07	NM02.013	OR ORM 0080-15 TERMOIL		07	NM02.013	OR ORM 0080-15 TERMOIL	
08	9161.193.150	CONTROPISTONE X GRUPPO CAFFE' GRIGIO		08	9161.193.150	GREY COUNTERPISTON FOR COFFEE UNIT	
09	NM01.044	OR ORM 0320-40 SILICONE PTFE/FDA		09	NM01.044	OR ORM 0320-40 SILICONE PTFE/FDA	
10	223740300	AS.DOCCIA DE=35,8 C/VITE E DADO		10	223740300	PERCOLATOR DE=35,8 ASSY.	
11	147572550	PIASTRINA X AGGANCIO GRUPPO CAFFE' NERO		11	147572550	BLACK PLATE FOR UNIT COFFE.COUPLING	
12	9161.070.150	PIASTRA POSTERIORE GRUPPO CAFFE' GRIGIO		12	9161.070.150	GREY REAR PLATE FOR UNIT	
13	9161.064.150	MANICOTTO ENTRATA ACQUA GRIGIO		13	9161.064.150	WATER INLET SLEEVE GREY	
14	NM02.007	OR 2025 TERMOIL		14	NM02.007	OR 2025 TERMOIL	
15	0301.R04.150	GRUPPO RICAMBIO MANICOTTO GRIGIO		15	0301.R04.150	SPARE SLEEVE UNIT GREY	
16	129852821	VITE TSP M3X14 UNI 7688 INOX		16	129852821	TSP SCREW M3X14 UNI 7688 SS	
17	9161.167	DOCCIA D.35,8		17	9161.167	PERCOLATOR D.35,8	
18	9161.211.050	PISTONE NUOVO NERO CON INSERTO		18	9161.211.050	NEW PISTON WITH INSERT BLACK	
19	9161.198	MOLLA X PISTONE		19	9161.198	SPRING FOR PISTON	
20	9161.191	BOCCOLA X PISTONE NEUTRO		20	9161.191	BUSH FOR PISTON NEUTRAL	
21	NM02.018	OR METRICO 0090-25 IN TERMOIL		21	NM02.018	OR ORM 0090-25 TERMOIL	
22	9161.210.050	PISTONE COMPLETO NERO X GRUPPO		22	9161.210.050	COMPLETE PISTON FOR UNIT GREY	
23	0301.R16.050	GRUPPO RICAMBIO PISTONE NUOVO NERO		23	0301.R16.050	SPARE PISTON UNIT NEW BLACK	
24	9161.195.150	CONTENITORE COMPL.X GRUPPO GRIGIO		24	9161.195.150	COMPLETE CONTAINER FOR UNIT GREY	
25	9161.065.150	BIELLA X GRUPPO GRIGIO		25	9161.065.150	CONNECTING ROD FOR UNIT GREY	
26	9161.094.050	BLOCCETTO FORATO X GRUPPO NERO		26	9161.094.050	DRILLED BLACK BLOCK FOR UNIT	
27	9161.060.150	RASATORE X GRUPPO CAFFE' GRIGIO		27	9161.060.150	GREY SCRAPER FOR COFFEE UNIT	
28	9161.066.150	ALBERO A GOMITO X GRUPPO GRIGIO		28	9161.066.150	ELBOW SHAFT FOR UNIT GREY	
29	9161.071.150	PIASTRA ANTERIORE GRUPPO CAFFE' GRIGIO		29	9161.071.150	GREY FRONT PLATE FOR UNIT	
30	9161.123.150	TRAMOGGIA X GRUPPO CAFF.GRIGIA SER.PRES.		30	9161.123.150	GREY HOPPER FOR PRESS UNIT	
31	9161.046	MOLLA X RASATORE GRUPPO		31	9161.046	SPRING FOR UNIT SCRAPER	
32	U109.026	VITE AUT.TCB 3,5X19 DIN 7981 C INOX		32	U109.026	SS.SCREW AUT.TCB 3,5X19 DIN 7981 C	
33	9161.045	MOLLA X IMPUGNATURA GRUPPO		33	9161.045	SPRING FOR UNIT HANDGRIP	
34	9161.069.150	IMPUGNATURA X GRUPPO CAFFE' GRIGIO		34	9161.069.150	GREY HANDGRIP FOR COFFEE UNIT	
35	U109.027	VITE AUT.TCB 2,9X19 DIN 7981 C INOX		35	U109.027	SS.SCREW AUT.TCB 2,9X19 DIN 7981 C	

**GRUPPO CAFFE' M5000**  
**X C.A. NON SAECO (CON FORO) GRIGIO**

Rev. 03 - 17/01/07

TAVOLA 1/1