

SINCE 1908

Solis

GRIND & INFUSE PERFETTA

Type 1019

User manual



CONTENTS

| | |
|--|----|
| INTENDED USE | 3 |
| IMPORTANT SAFETY PRECAUTIONS | 3 |
| CONTENTS | 7 |
| APPLIANCE DESCRIPTION | 8 |
| CONTROL BUTTONS | 9 |
| INSTALLATION | 10 |
| BEFORE FIRST USE (WATER FILTER CARTRIDGE) | 10 |
| OPERATING AND SAFETY INFORMATION | 11 |
| MAKING AN ESPRESSO | 11 |
| TIPS FOR A PERFECT ESPRESSO | 14 |
| STEAMING MILK | 15 |
| USING THE HOT WATER FUNCTION | 16 |
| CHANGING THE ENERGY SAVING MODE | 16 |
| CHANGING THE BREWING TEMPERATURE | 17 |
| CHANGING THE WATER FILTER MODE (NO FILTER) | 18 |
| CHANGING THE AMOUNT OF COFFEE | 18 |
| STORAGE | 18 |
| DAILY MAINTENANCE | 19 |
| WEEKLY MAINTENANCE | 19 |
| MONTHLY MAINTENANCE | 19 |
| REPLACING THE WATER FILTER CARTRIDGE | 23 |
| USING THE BREWING HEAD CLEANING CYCLE | 24 |
| DESCALING | 26 |
| CLEANING A BLOCKED GRINDER | 28 |
| RESETTING FUNCTIONS | 29 |
| TECHNICAL SPECIFICATIONS | 29 |
| TROUBLESHOOTING | 30 |
| ALARMS | 34 |
| DISPOSAL | 36 |
| 2 YEAR GUARANTEE | 36 |
| SOLIS CUSTOMER SERVICE | 36 |

▲ INTENDED USE

- This appliance is intended to prepare various types of coffee with freshly ground beans.
- Only use the appliance as described in this manual.
- This appliance is intended to be used in household and similar applications such as:
 - staff kitchen areas in shops, offices and other working environments;
 - farm houses;
 - by clients in hotels, motels and other residential type environments;
 - bed and breakfast type environments and not for commercial use.
- This appliance is intended for indoor use only.
- This appliance is not intended for use by persons (including children) with reduced physical, sensory or mental capabilities or lack of experience and knowledge unless they have been given supervision or instruction concerning use of the appliance by a person responsible for their safety.
- Any use of the appliance other than described in this manual is regarded as misuse and may cause injury, damage to the appliance and void the warranty.

▲ IMPORTANT SAFETY PRECAUTIONS

GENERAL SAFETY INSTRUCTIONS

▲ WARNING

- Ensure you have fully read and understood the instructions in this user manual before you install or use the appliance. Keep this document for future reference.
- Do not use the appliance if a part is damaged or defective. Replace a damaged or defective appliance immediately.
- If the power cable is damaged, it must be replaced by the manufacturer, the service agent or similar qualified personnel in order to avoid a hazard.
- Only lift the appliance by holding the base.

SAFETY INSTRUCTIONS REGARDING INSTALLATION

⚠ WARNING

- Do not drop the appliance and avoid bumping.
- Place the appliance on a stable, flat, heat and moisture resistant surface.
- Keep a minimum distance of 20 cm between the appliance and walls, curtains or other materials and objects so the air around the appliance can circulate freely.
- Do not place the appliance inside a cabinet when in use.
- Do not place the appliance in direct sunlight.
- Do not use a timer or a separate remote-control system that switches on the device automatically.
- Do not leave the power cable hanging over table edges to prevent the appliance from being pulled down. Make sure that neither the appliance nor the power cord or plug comes into contact with hot surfaces, such as hotplates or a radiator, or that they come into contact with the appliance itself.
- Never place the appliance in such a way that it is at risk of falling into water or coming into contact with water resp. other liquids (e.g. in or near a sink).
- Never reach for an appliance that has fallen into water or other liquids:
 - Always wear dry rubber gloves to unplug the appliance before taking it out of the water.
 - Do not start using the appliance again before having it checked for functionality and safety by Solis or a service center authorized by Solis.

- Before using the appliance, check that the voltage stated on the type plate of your appliance matches your mains voltage. Do not operate the appliance with a multiway plug adapter.
- Do not place the appliance directly under a power outlet.
- Switch off and unplug the appliance before moving the appliance.
- Fully unwind the power cable before use.

SAFETY INSTRUCTIONS REGARDING USE

▲ WARNING

- Children must be supervised to ensure that they not play with the appliance.
- Do not operate the appliance with wet hands.
- Only use the appliance with the provided accessories or accessories recommended by Solis. Incorrect accessories or misuse can lead to damage to the appliance.
- Do not move the appliance when in use.
- Do not cover the air vents when the appliance is in use.
- Do not place anything on the appliance while it is in use, except for cups for preheating.
- Do not leave the appliance unattended when in use.
- Always switch off the appliance before disconnecting.
- Switch off and unplug the appliance when not in use.
- Only use cold tap water in the water tank.
- Do not fill the water tank above the *MAX* marking.

- Do not operate the appliance when the water tank is empty.
- During operation, only touch the buttons, selectors, or heat insulated handles. All other parts can get hot.
- Be careful when emptying the portafilter directly after use. The appliance and the coffee dregs are still very hot.
- Never remove the portafilter during the brewing process.
- During or directly after the steaming process, only touch the steam and hot water wand by the thermo-insulated loop. The steaming wand gets hot.
- Never point the steam and hot water wand towards people, animals, or moisture sensitive items. The steam is very hot!
- Do not use the appliance when the bean container is empty.
- Only fill the bean container with whole coffee beans. Never use ground coffee.
- Only adjust the grind size when the grinder is running, to avoid damaging the grinder.
- Do not activate the grinder when the lid of the bean container is removed.

SAFETY INSTRUCTIONS REGARDING MAINTENANCE

⚠ WARNING

- Keep the cleaning tool away from children. Risk of swallowing!
- Do not disconnect the appliance by pulling on the cable. Always grasp the connector and pull.
- Disconnect the appliance from the power source before service and when replacing parts.

- Let the appliance cool down before cleaning.
- Never immerse the appliance in water or place it in a dishwasher.
- Do not use abrasive chemical cleaning agents such as ammonia, acid or acetone when cleaning the appliance. This can damage the appliance.
- Do not use any oils or lubricants on this appliance.
- Do not store the appliance in temperatures below 0 °C or above 55 °C.

CONTENTS

Please check the contents of the package:

1x GRIND & INFUSE PERFETTA

1x Portafilter

1x Tamper

1x Milk jug

1x Cleaning brush

1x Rubber insert for cleaning

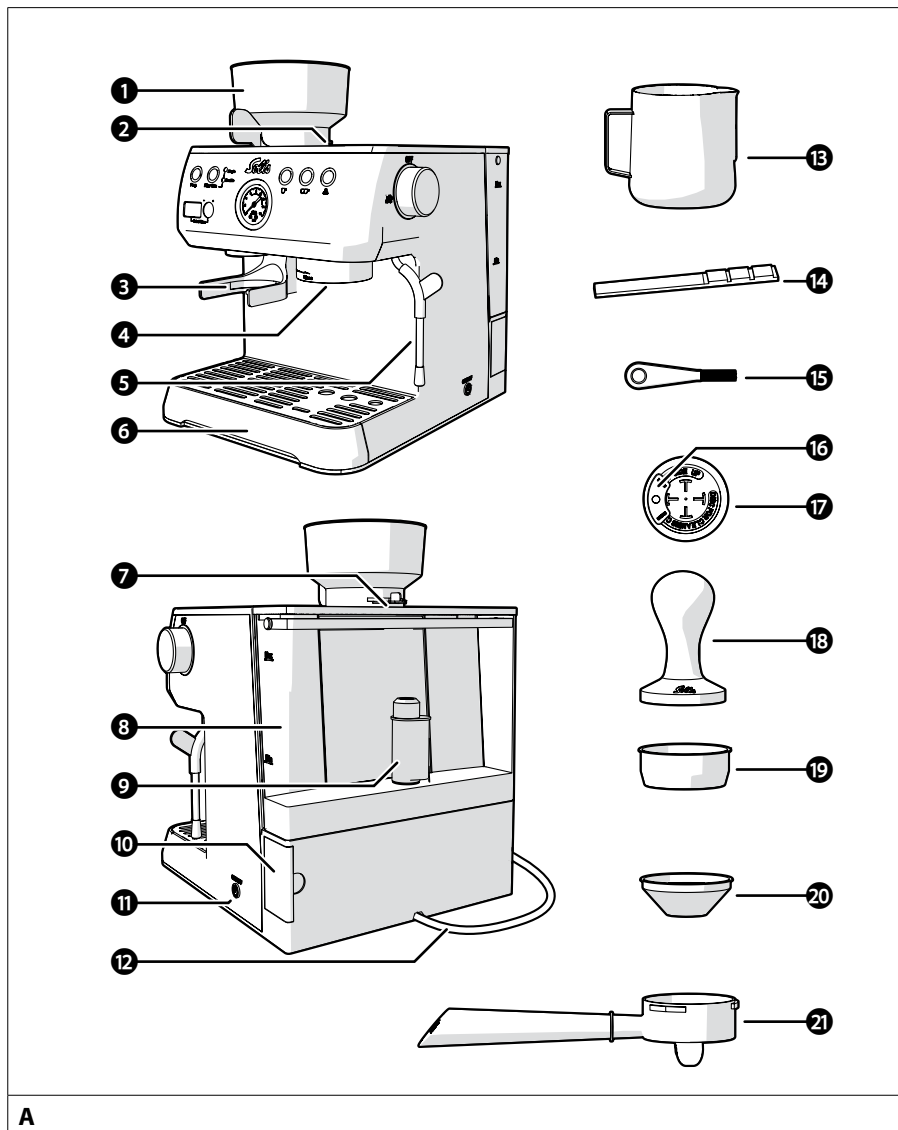
2x Filters

1x Water filter

1x Test strip

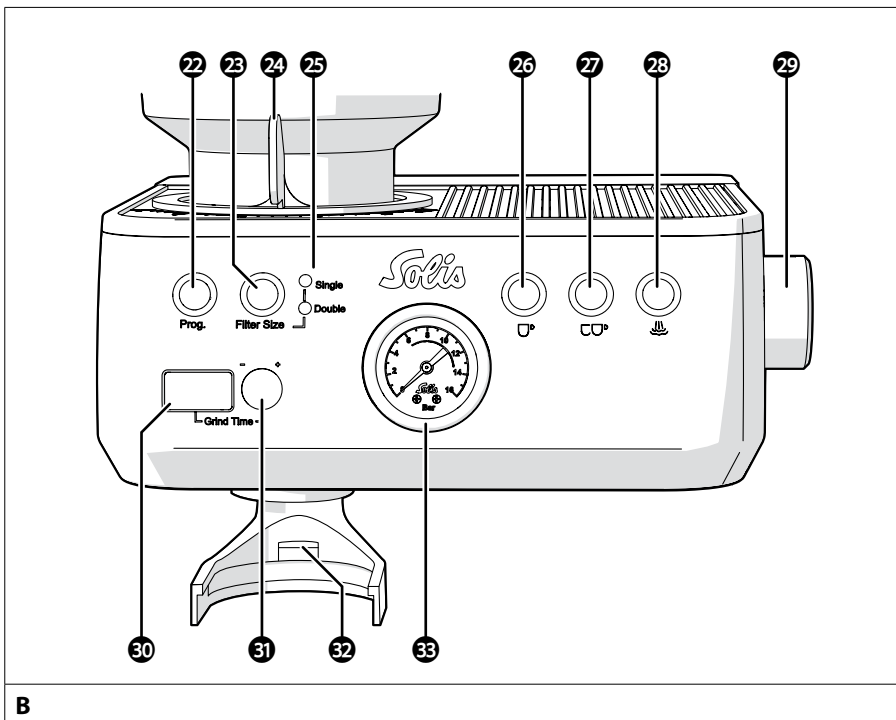
▲ APPLIANCE DESCRIPTION

The GRIND & INFUSE PERFETTA is an espresso machine that can make an espresso with freshly ground beans. The appliance is equipped with a steaming wand to make steamed milk or heat beverages. With the GRIND & INFUSE PERFETTA you can serve yourself and your guests the perfect espresso, Cappuccino and much more!



- | | | | |
|----|------------------------|----|----------------------------|
| 1 | Bean container | 12 | Power cable |
| 2 | Cup tray | 13 | Milk jug |
| 3 | Portafilter holder | 14 | Test strip |
| 4 | Brewing head | 15 | Cleaning brush |
| 5 | Steaming wand | 16 | Cleaning tool |
| 6 | Drip tray | 17 | Rubber insert for cleaning |
| 7 | Grinder unlock button | 18 | Tamper |
| 8 | Water tank | 19 | Double cup filter |
| 9 | Water filter cartridge | 20 | Single cup filter |
| 10 | Accessories storage | 21 | Portafilter |
| 11 | Power button | | |

▲ CONTROL BUTTONS



- | | | | |
|----|------------------------------|----|--------------------------|
| 22 | Programming button | 28 | Steaming function button |
| 23 | Filter size selection button | 29 | Steaming knob |
| 24 | Grind size selector | 30 | Display |
| 25 | Filter size indicator | 31 | Grind time knob |
| 26 | Single cup extraction button | 32 | Portafilter button |
| 27 | Double cup extraction button | 33 | Manometer |

▲ INSTALLATION

To install the appliance:

1. Place the appliance on a stable, flat, and heat and moisture resistant surface.
2. Place the **bean container** ① on the appliance. Rotate until the bean container locks in place.
3. Plug the **power cable** ⑫ into a power outlet.
4. Press the **power button** ⑪ to switch on the appliance.

The appliance is ready for use when the **cup extraction buttons** ⑳ ㉑ constantly light up white.

▲ BEFORE FIRST USE (WATER FILTER CARTRIDGE)

Before first use, clean the appliance as described in the chapter *Daily maintenance*.

- ❗ If you don't want to use a water filter, you can leave the appliance on default settings. You can skip the following steps in this chapter.

To place and configure the water filter:

1. Hold the **test strip** ⑭ briefly in a glass of tap water.
2. Read the measured water quality on the **test strip** ⑭.
3. Rotate the selector at the bottom of the **water filter cartridge** ⑨ to the optimal position.

Position A For use with soft water.

Position B For use with medium hard water.

Position C For use with hard water.

4. Hold the **water filter cartridge** ⑨ in a container with water.
5. Gently squeeze the **water filter cartridge** ⑨ to remove air bubbles from the filter.
6. Insert the **water filter cartridge** ⑨ into the bracket in the **water tank** ⑧ with the selector facing downwards.
7. Fill the **water tank** ⑧ with water up to the *MAX* marking.
8. Press the **programming button** ㉒ to enter the settings menu.
9. Press the **steaming function button** ㉘ to enter the filter settings.
10. Press the **single cup extraction button** ㉖ to set the filter setting to *YES*.
11. Place a container (min. 500 ml) underneath the **brewing head** ④.
12. Press the **programming button** ㉒ to exit the settings menu. The rinsing process starts automatically.

▲ OPERATING AND SAFETY INFORMATION

- The BRITA INTENZA water filter cartridge is designed for use only with municipally treated tap water (note: this water is constantly controlled and according to legal regulations safe to drink) or with water from private supplies which has been approved as safe to drink. If an instruction is received from the authorities that mains water must be boiled, the filtered water must also be boiled. When the instruction to boil water is no longer in force, the entire coffee machine must be cleaned and a new cartridge inserted.
- Filter cold water only.
- Store replacement filter cartridges in a cool and dry place in their original, sealed packaging.
- Clean the water tank regularly.
- For certain groups of people (e.g. people with weakened immune systems, babies) it is generally recommended to boil tap water. This also applies to filtered water.
- Note for people with kidney disease or dialysis patients: during the filter process, the potassium content may be increased slightly. If you suffer from kidney disease and/or follow a potassium restricted diet, we recommend prior agreement with your doctor. The amount of released potassium in 1L of filtered water is lower than potassium contained in either an apple or a banana.
- As water is a foodstuff, the water in the tank must be used up within 1 day.
- Should your machine not be in use for a prolonged period (e.g. holiday) we recommend that you discard any water left inside the tank and leave the cartridge inside. Before using the machine again, take out the cartridge, clean the water tank and reinitiate the cartridge as described in the instructions above.
- Should your machine require descaling, always remove the water filter cartridge from the water tank. After the descaling procedure clean thoroughly the whole water tank and reinitiate the cartridge as described in the instructions above.
- BRITA cannot accept any responsibility or liability if the above recommendations for the use and changing of the BRITA INTENZA water filter cartridge are not respected.

▲ MAKING AN ESPRESSO

To make an espresso with freshly ground coffee:

1. Choose if you want to make one or two espressos.
2. Place empty cups on the **cup tray 2** to preheat the cups.
3. Check if the water level in the water tank is in between the *MIN* and *MAX* indicator.
4. If not, fill the water tank up to the *MAX* indicator.

i Refresh the water at least once a day.

5. Fill the **bean container** ① with whole coffee beans (max 250 g).
6. Close the **bean container** ① with the lid.
7. Make sure the hopper gate at the back of the **bean container** ① is open.
8. Place the corresponding **cup filter** ⑱ ⑲ in the **portafilter** ⑳.

i When the appliance isn't used recently, we recommend rinsing the appliance and the portafilter (chapter *Daily maintenance*).

9. Press the **filter size selection button** ㉓ to switch to the corresponding filter size.
10. If needed, adjust the grind size with the **grind size selector** ㉔ (see chapter *Tips for a perfect espresso*).
11. Place the **portafilter** ㉑ into the **portafilter holder** ③.
12. Rotate the **grind time knob** ㉖ to adjust the grinding time. The grind time is shown on the **display** ㉗.

i The maximum grind time is 30 seconds. To save the grinding time for the selected filter size, press and hold the filter size button. The filter size button blinks and the appliance beeps twice when the setting is saved.

13. Press the **grind time knob** ㉖ or the **portafilter button** ㉚ to start the grinding process. The display shows the remaining grind time.

i If you need to stop the process before it is finished, press the grind time knob or portafilter button again.

i If you need to resume the grinding process, press the grind time knob or portafilter button again within 20 seconds.

i To grind without using the grind time presets, you can also press and hold the grind time knob or the portafilter button. The grinder starts grinding and stops when the grind time knob is released.

14. Shake and pull out the **portafilter** ㉑ of the **portafilter holder** ③.
15. Gently tap the **portafilter** ㉑ against the counter to spread out the coffee ground.
16. Tamp the coffee ground with the **tamper** ⑱.

⚠ Do not overfill the portafilter. The coffee ground should not make contact with the brewing head when placed to ensure a proper seal.

17. Remove any coffee ground from the edge of the **portafilter** ㉑.
18. Pull the **steaming wand** ⑤ to the side.



C

19. Insert and rotate the **portafilter 21** into the **brewing head 4** (see image C). Make sure the handle is aligned with the *CLOSE* marking.

⚠ Make sure the portafilter is firmly installed. If the portafilter does not turn easily in place, remove the portafilter and reduce the amount of coffee ground.

20. Place one or two cups from the **cup tray 2** underneath the spouts of the portafilter.

When the **cup extraction buttons 26 27** light up you can start the brewing process.

⚠ Do not leave the appliance unattended when in use.

i To program the amount of coffee, go to chapter *Changing the amount of coffee*.

21. Press the corresponding **cup extraction button 26 27** to start the process.

i During the coffee extraction, the display shows the brewing time.

22. Check during the process if the **manometer** 33 goes from 0 to the optimal range (8 – 12 bar).

i Quickly double press the cup extraction button to skip pre-infusion and start immediately with the coffee extraction.

i If you need to stop the process before it is finished, press the corresponding cup extraction button again. The maximum brewing time is 60 seconds.

▲ Be careful when emptying the portafilter directly after use. The appliance and the coffee cakes are still very hot.

23. Remove the **portafilter** 21 from the **brewing head** 4.

24. Empty the **cup filter** 19 20 in a knock box or a bin.

When you want to make another espresso, repeat the steps in this chapter. When you are finished we recommend cleaning the appliance (Chapter *Daily maintenance*).

▲ TIPS FOR A PERFECT ESPRESSO

The taste of an espresso is influenced by the following factors:

- Coffee type
- Grind size
- Amount of coffee ground
- Tamping pressure
- Brewing time
- Brewing pressure

Consult the table below for how to use different settings for a different taste.

| Espresso properties | Stronger, bitter, and smaller espresso | Weak, less bitter, and bigger espresso |
|----------------------------|---|---|
| Grind size | Finer grind size | Coarser grind size |
| Amount | More coffee ground | Less coffee ground |
| Tamping pressure | More firm | More gently |
| Brewing time | Longer | Shorter |

i The manometer must always stay within 6 – 13 bar during the extraction. When the pressure is too low during the process, try making a stronger espresso and vice versa.

i To ensure a good espresso, the appliance, the portafilter, and the used cups must be preheated.

We recommend starting with these settings, and make small changes by taste:

| | 1 cup | 2 cups |
|---------------------|-----------|-----------|
| Grind size | 12 | 12 |
| Amount | 8 - 9 g | 16 - 18 g |
| Brewing time | 15 – 25 s | 25 – 35 s |

▲ STEAMING MILK

⚠ During or directly after use, only touch the rubber handle of the steam and hot water wand. The steaming wand gets hot.

- i You can use steamed milk for example in a cappuccino or a caffè latte.
- i You can also use the steaming function for heating chocolate milk or other beverages.

To steam milk:

1. Press the **steaming function button** 28 to activate the steaming function.

The appliance heats up the steaming function. The **steaming function button** 28 blinks. When the steaming function is ready, the **steaming function button** 28 constantly light up white.

2. Fill the **milk jug** 13 with milk (max. half a jug).

i If the steaming wand is used for dispensing hot water, the steaming wand dispenses water residue before the steaming function activates. For good steamed milk, first dispense the residue before putting the steaming wand into the milk.

3. Check if the **steaming function button** 28 constantly lights up white.
4. Lower the nozzle of the **steaming wand** 5 a few millimeters into the milk.
5. Rotate the **steaming knob** 29 counterclockwise to switch on the **steaming wand** 5.
6. Wait until the milk is steamed as desired.

i When you cannot touch the side of the milk jug for longer than 3 seconds, the temperature is optimal (approximately 65 °C).

7. Rotate the **steaming knob** 29 clockwise to switch off the **steaming wand** 5.

- i** When not switched off, the steaming function automatically switches off after 2 minutes.
- 8. Clean the nozzle of the **steaming wand** **5** with a damp cloth.
- 9. Rotate the **steaming knob** **29** to remove all milk from the **steaming wand** **5**.
- 10. Press one of the **cup extraction buttons** **26** **27** to cool down the steaming function.

The **cup extraction buttons** **26** **27** start flashing. When the **cup extraction buttons** **26** **27** constantly light up white, the system is ready for making coffee.

- 11. Pour the frothed milk directly into an espresso.

⚠ The steaming wand is hot after use!

- 12. Clean the **milk jug** **13** with water or in a dishwasher after use.

▲ USING THE HOT WATER FUNCTION

⚠ During or directly after use, only touch the rubber handle of the steam and hot water wand. The steaming wand gets hot.

To use the hot water function:

- 1. Lower the **steaming wand** **5** into a cup.

⚠ Do not point the tip of the steaming wand directly on the bottom of the cup.

- 2. Rotate the **steaming knob** **29** anticlockwise to dispense hot water from the **steaming wand** **5**.
- 3. Press the **steaming function button** **28** to boost the hot water function.
- 4. Rotate the **steaming knob** **28** clockwise to stop the hot water function .

i When not switched off, the hot water function automatically switches off after 2 minutes.

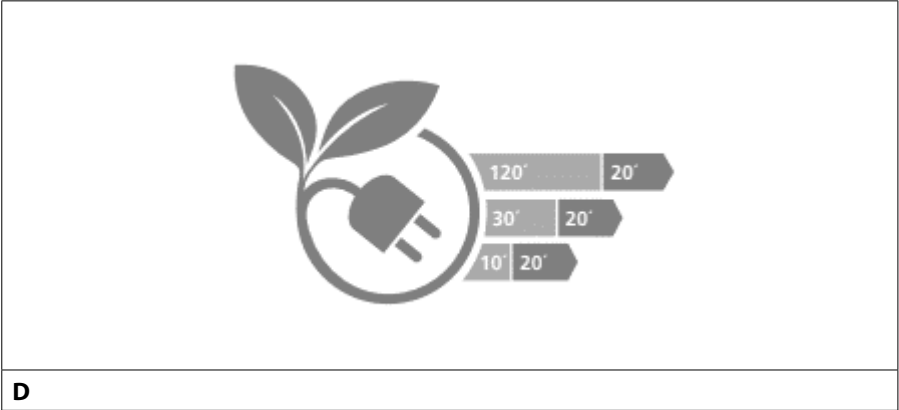
i You can also use the hot water function to preheat the cups.

▲ CHANGING THE ENERGY SAVING MODE

To save energy the appliance goes into stand by mode after a period of inactivity (10 minutes default). After 20 minutes of stand by mode the appliance switches off automatically.

To set the period of inactivity before stand by:

1. Press the **programming button** 22 to enter the settings menu.
2. Press the **double cup extraction button** 27 to enter the inactivity time setting.
3. Rotate the **grind time knob** 31 to change the inactivity time.
4. Press the **programming button** 22 to confirm the new value and exit the settings menu.



- i** 20 minutes after the energy saving mode time, the machine will shut down (image D).

When the cup extraction buttons light up white, the appliance is ready for use .

▲ CHANGING THE BREWING TEMPERATURE

To set the brewing temperature:

1. Press the **programming button** 22 to enter the settings menu.
2. Press the **single cup extraction button** 26. The display shows the current brewing value.
3. Rotate the **grind time knob** 31 to change the brewing temperature. A positive number means a higher brewing temperature, a negative number means a lower brewing temperature.
4. Press the **programming button** 22 to confirm and save the new value.

When the appliance beeps twice and the cup extraction buttons light up white, the appliance is ready for use.

▲ CHANGING THE WATER FILTER MODE (NO FILTER)

When using the appliance without a water filter, change the water filter mode and the set water hardness:

1. Press the **programming button** 22 to enter the settings menu.
2. Press the **steaming function button** 28 to enter the water filter setting.
3. Press the **double cup extraction button** 27 to set the water filter setting to *NO*.
4. Press the **programming button** 22 to confirm the setting and to enter the water hardness menu.
5. Rotate the **grind time knob** 31 to change the water hardness setting (see chapter *Alarms*).
6. Press the **programming button** 22 to confirm and save the new value.

When the appliance beeps twice and the cup extraction buttons light up white, the appliance is ready for use.

▲ CHANGING THE AMOUNT OF COFFEE

⚠ To follow the instructions in this chapter correctly, start with the steps in chapter *Making an espresso*. Do not perform these steps on its own.

To change the amount of coffee that is dispensed:

1. Press and hold one of the **cup extraction buttons** 26 27. The **programming button** 22 starts flashing and coffee is dispensed.
2. When the desired amount of coffee is dispensed, release the pressed **cup extraction button** 26 27 to stop dispensing coffee.
3. Press the **programming button** 22 again within 10 seconds to save the new quantity to the pressed **cup extraction button** 26 27.

▲ STORAGE

Store the appliance in the original packaging in a dry and enclosed space.

▲ DAILY MAINTENANCE

We recommend doing the following maintenance daily (before first coffee):

1. Place a container underneath the **brewing head** 4.
2. Press one of the **cup extraction buttons** 26 27 to rinse the **brewing head** 4.
3. Dry the **brewing head** 4 with a cloth.
4. Rinse the **portafilter** 21 and the used **filters** 19 20 with tap water.
5. Dry the **portafilter** 21 and the used **filters** 19 20 with a cloth.
6. Check if the red floater of the **drip tray** 6 is visible through the grid.
7. If so, clean the **drip tray** 6 (chapter *Weekly maintenance*).

i Repeat this procedure every time you brew a coffee to improve the quality of your coffee.

▲ WEEKLY MAINTENANCE

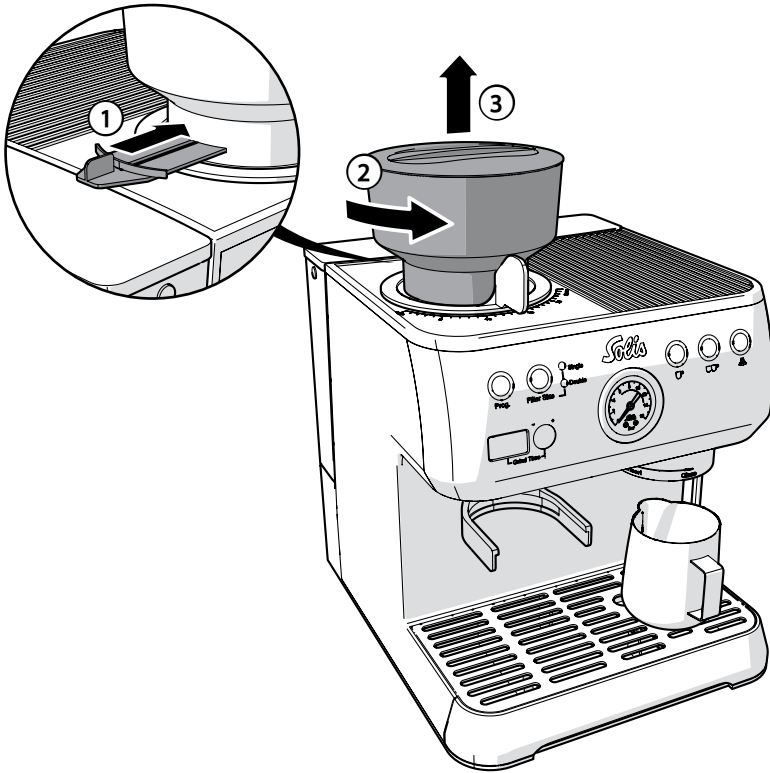
We recommend doing the following maintenance weekly:

1. Empty the **drip tray** 6.
2. Clean the **drip tray** 6 with water and a mild detergent.
3. Set the **grind size selector** 24 to *COARSE*.
4. Check if the hopper gate at the back of the **bean container** 1 is open.
5. Place a container under the **portafilter holder** 3.
6. Press the **grind time knob** 31 to switch on the grinder and remove excess coffee.
7. After a few seconds, press the **grind time knob** 31 again to switch off the grinder.
8. Set the **grind size selector** 24 back to the desired position.

▲ MONTHLY MAINTENANCE

We recommend cleaning the appliance every month. To clean the appliance:

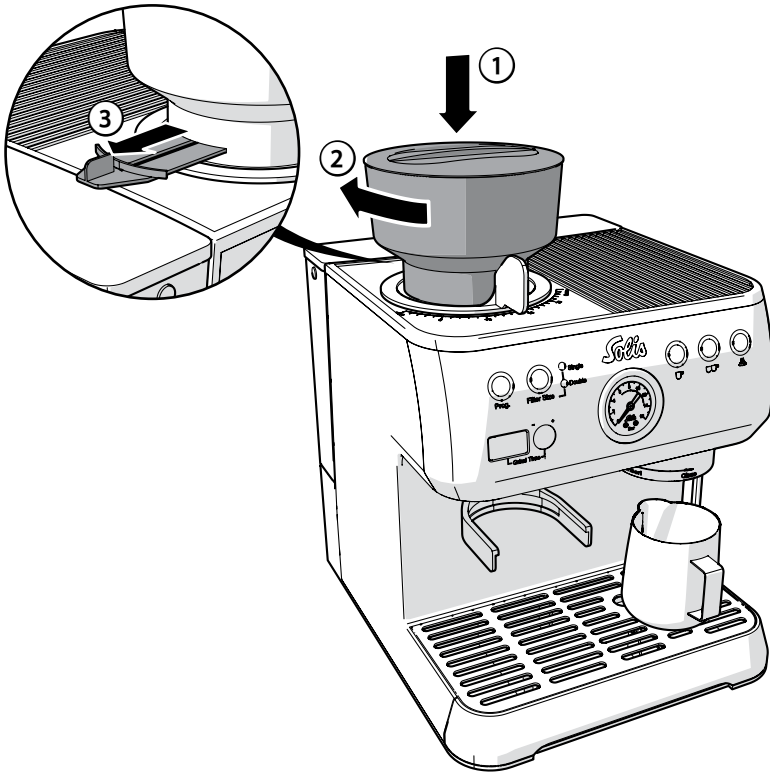
1. Plug in and switch on the appliance.
2. Set the **grind size selector** 24 to *COARSE*.
3. Close the hopper gate at the back of the **bean container** 1.
4. Place a container under the **portafilter holder** 3.
5. Press the **grind time knob** 31 to switch on the grinder and remove excess coffee.
6. After a few seconds, press the **grind time knob** 31 again to switch off the grinder.



E

7. Switch off the appliance and remove the **bean container 1** (see image E).
8. Empty the **bean container 1**.

⚠ Always remove the bean container (see image E) first and only then remove the grinder mechanism. Do not take off both parts together and never use excessive force to remove the parts.



F

9. Reassemble the **bean container 1** (see image F).
10. Fill the **bean container 1** with GRINDZ™ which is available in selected countries.

i You can buy GRINDZ™ at your supplier or Solis (art. No. 993.08).

11. Open the hopper gate at the back of the **bean container 1**.
12. Place a container under the **portafilter holder 3**.
13. Switch on the appliance.
14. Press and hold the **grind time knob 31** to switch on the grinder.
15. When all GRINDZ™ has run through the appliance, release the **grind time knob 31** to switch off the grinder.
16. Close the hopper gate.
17. Switch off the appliance and remove the **bean container 1** (see image E).
18. Empty the **bean container 1**.
19. Rinse the **bean container 1** with warm water and a mild detergent.
20. Rinse the **bean container 1** with clean water.
21. Dry the **bean container 1** thoroughly.
22. Reassemble the grinder and the **bean container 1**. Make sure all parts lock in place.
23. Fill the **bean container 1** with coffee beans.
24. Open the hopper gate at the back of the **bean container 1**.
25. Switch on the appliance.
26. Press and hold the **grind time knob 31** to switch on the grinder.
27. After 20 seconds, release the **grind time knob 31** again to switch off the grinder.
28. Set the **grind size selector 24** back to the desired position.
29. Switch off and unplug the appliance.

i Make sure the portafilter is not hot when removing the spout.

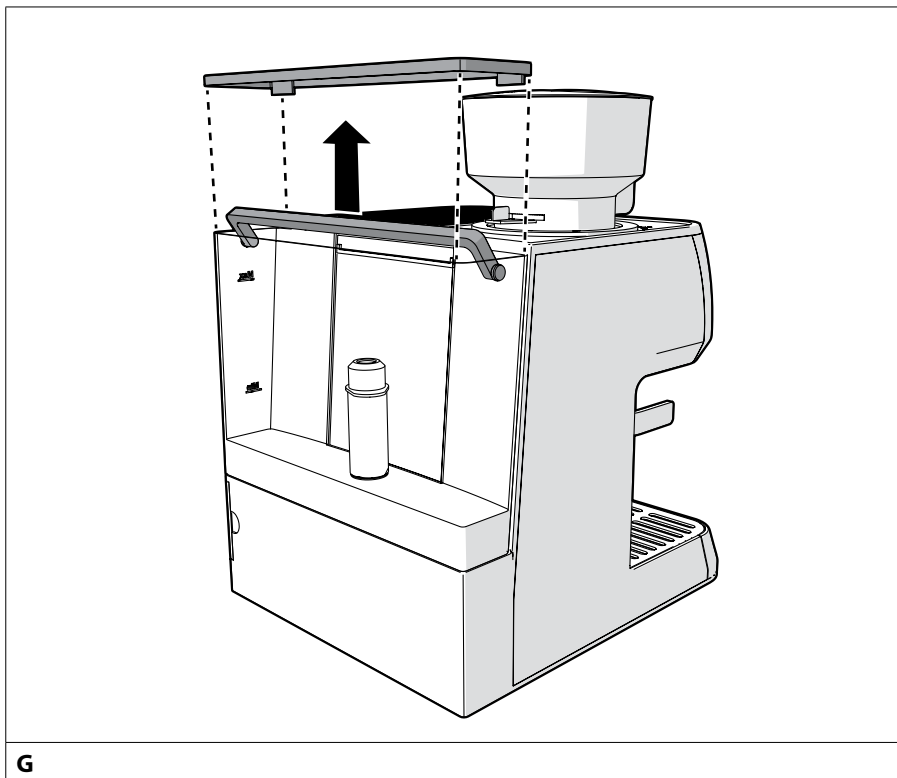
30. Unscrew the spout of the **portafilter 21**.
31. Soak the following parts in warm water and a mild detergent:
 - Portafilter **21** (only the metal parts).
 - Cup filters **19 20**
 - Spout
32. Unscrew the steaming nozzle from the **steaming wand 5**.

i If the nozzle opening is blocked, you can use the pin on the cleaning tablet holder to remove the blockage. If you cannot unblock the nozzle with the pin, rinse the nozzle with warm water and try again.

33. Rinse the nozzle in warm water.
34. Gently screw the nozzle back onto the **steaming wand 5**.
35. Clean the appliance and the **water tank 8** with a soft and damp cloth.
36. Dry the appliance and the **water tank 8**.
37. Plug in and switch on the appliance.

▲ REPLACING THE WATER FILTER CARTRIDGE

Replace the water filter cartridge when the corresponding alarm is visible (see chapter *Alarms*).



To replace the water filter cartridge:

1. Switch off and unplug the appliance.
2. Remove the **water tank 8** from the appliance (see image G).
3. Empty the **water tank 8** above a sink.
4. Remove the **water filter cartridge 9** from the **water tank 8**.
5. Hold the new **water filter cartridge 9** in a container with water.

i Use the INTENZA water filter cartridge (Art.-no. 700.78) which is available in selected countries.

6. Gently squeeze the **water filter cartridge 9** to remove air bubbles from the filter.
7. Rinse the **water tank 8** with water.
8. Insert the **water filter cartridge 9** into the bracket in the **water tank 8** with the selector facing downwards.

9. Fill the **water tank** 8 with water up to the *MAX* marking.
10. Insert the **water tank** 8 into the appliance.
11. Place a container (min. 500 ml) underneath the **brewing head** 4.
12. Plug in and switch on the appliance.
13. Press the **programming button** 22.
14. Press the **single cup extraction button** 26 to activate the automatic rinsing cycle.

When the appliance beeps twice and the cup extraction buttons light up white, the appliance is ready for use.

▲ USING THE BREWING HEAD CLEANING CYCLE

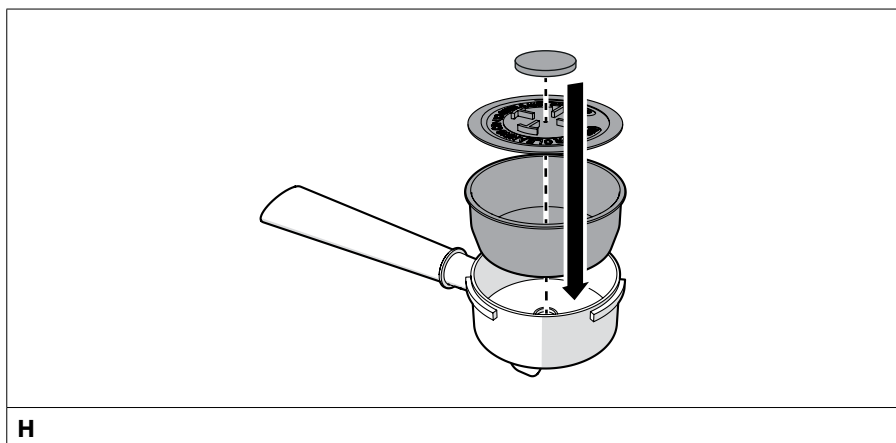
Clean the appliance with a cleaning tablet when the corresponding alarm is visible (see chapter *Alarms*).

For cleaning the brewing head, please use a cleaning tablets which are suitable for espresso machines.

- ❗ For best results, we recommend SOLITABS (Art.-no. 993.02) which is available in selected countries.

To clean the appliance with a cleaning tablet:

1. Plug in and switch on the appliance.



2. Place the **double cup filter** 19 into the **portafilter** 21.
3. Place the **rubber insert for cleaning** 17 into the **double cup filter** 19 (see image H) and put a SOLITABS cleaning tablet on top.



4. Insert and rotate the **portafilter 21** into the **brewing head 4** (see image I). Make sure the handle is aligned with the **CLOSE** marking.
5. Place a container underneath the **portafilter 21**.
6. Press the **programming button 22**.
7. Press the **double cup extraction button 27** to start the rinsing procedure.

The procedure has 8 cycles with pauses of 30 seconds. The cycle number and pause time are shown on the display.

8. Let the appliance cool down.
9. Remove the **portafilter 21** from the **brewing head 4**.
10. Remove the **rubber insert for cleaning 17** from the **portafilter 21**.
11. Before first use, clean the appliance as described in the chapter *Daily maintenance*.

▲ DESCALING

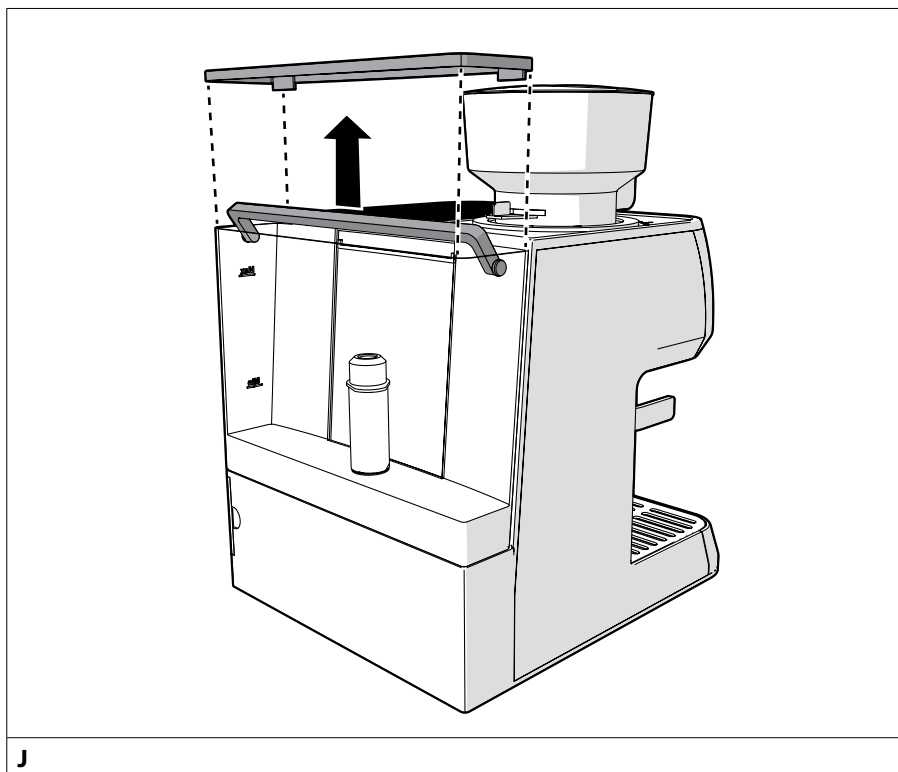
Descale the appliance when the corresponding alarm is visible (see chapter *Alarms*).

For descaling of the machine, please use a descaling agent which is suitable for espresso machines.

- ▲ When the descaling alarm shows up, descale the appliance immediately to avoid permanent damage to the appliance. Damage related to limescale is not covered by warranty if the descaling procedure is not performed regularly as described in this chapter.
- ▲ Wipe off spilled descaling solution immediately. The descaling solution can damage the surface of the appliance.

To descale the appliance:

1. Switch off and unplug the appliance.
2. Empty the **drip tray** ⑥ (see chapter *Weekly maintenance*).



- J**
3. Remove the **water tank 8** from the appliance (see image J).
 4. Empty the **water tank 8** above a sink.
 5. Remove the **water filter cartridge 9** from the **water tank 8**.
 6. Fill the **water tank 8** with descaling agent and water. The minimum level required for descaling is 1 litre.

i For best results, we recommend Solipol special (Art.-no. 703.02) which is available in selected countries.

7. Insert the **water tank 8** into the appliance.
8. Place a large container (> 2.5 l) underneath the **brewing head 4**.
9. Aim the **steaming wand 5** into the container
10. Plug in and switch on the appliance.
11. Press the **programming button 22**.
12. Press the **steaming function button 28** to start the descaling process.

The descaling process takes 20 minutes. During the process:

- Rotate the **steaming knob 29** anticlockwise when the display shows *OP*.

- Rotate the **steaming knob** 29 clockwise when the display shows *CL*.

⚠ If the descaling procedure is interrupted (e.g. during a power loss) we recommend to complete the procedure when the interruption is solved. Rinse the appliance thoroughly when the process is finished.

When the first part of the process is finished the display shows *H2O* and the appliance is ready for rinsing:

13. Remove the **water tank** 8 from the appliance (see image J).
14. Empty the **water tank** 8 above a sink.
15. Rinse the **water tank** 8 multiple times under a tap.
16. Fill the **water tank** 8 with cold tap water.
17. Insert the **water tank** 8 into the appliance.
18. Empty the container and the **drip tray** 6.
19. Place back the container (step 6 through 7).
20. Press the **steaming function button** 28 to start the rinsing process. During the process:
 - Rotate the **steaming knob** 29 anticlockwise when the display shows *OP*.
 - Rotate the **steaming knob** 29 clockwise when the display shows *CL*.

When the rinsing process is finished the appliance beeps twice.

21. Remove the **water tank** 8 from the appliance (see image J).
22. Empty the **water tank** 8 above a sink.
23. Rinse the **water tank** 8 multiple times under a tap.
24. Insert the **water filter cartridge** 9 into the bracket in the **water tank** 8 with the selector facing downwards.
25. Fill the **water tank** 8 with cold tap water.
26. Insert the **water tank** 8 into the appliance.

When the cup extraction buttons light up white, the appliance is ready for use .

▲ CLEANING A BLOCKED GRINDER

To release a blocked grinder:

1. Clean the grinder (see chapter *Monthly maintenance*).

If the grinder is still blocked:

2. Switch off and unplug the appliance.
3. Close the hopper gate at the back of the **bean container** 1.

4. Remove the **bean container** ① (image E).
5. Press and hold the **grinder unlock button** ⑦ and rotate the **grind size selector** ⑳ to the *COARSE* position.
6. Remove the top part of the grinder.
7. Check if the coffee channel is obstructed.
8. Use the **cleaning brush** ⑮ to remove coffee inside the coffee channel.
9. Clean the grinder with a vacuum cleaner.
10. Place back the top part of the grinder. Rotate it clockwise until it locks in place.
11. Place back the bean container. Make sure all parts lock in place.

If the grinder is still not working, contact your supplier or Solis.

▲ **RESETTING FUNCTIONS**

To reset values of functions:

1. Press and hold the **programming button** ㉒ and the corresponding function button ㉓ ㉔ ㉕ for 5 seconds.
2. When resetting the filter size functions, first press the **filter size selection button** ㉓ to choose the filter size you want to reset.

If you want to reset all values and functions:

1. Press and hold the **programming button** ㉒ for 10 seconds. All buttons blink 3 times and the appliance beeps three times.

▲ **TECHNICAL SPECIFICATIONS**

| | |
|-------------------------------|-------------------------|
| Model-No. | 1019 |
| Voltage / frequency | 220–240 V~ / 50 – 60 Hz |
| Output | 1420 - 1700 W |
| Dimensions (W x D x H) | 30.9 x 41.2 x 37.3 cm |
| Weight | 9.0 kg |

Technical changes reserved.

▲ TROUBLESHOOTING

| Problem | Possible cause | Solution |
|------------------------------|--|--|
| Coffee is not dispensed. | The water level in the water tank is too low. | Refill the water tank to the <i>MAX</i> indicator. Install the water tank correctly. |
| | The water filter cartridge is logged. | Replace the water filter cartridge (see chapter <i>Replacing the water filter cartridge</i>). |
| | The steaming function button blinks or constantly lights up white. The steaming function is activated. | Press one of the cup extraction buttons. |
| | The steaming knob is not in the <i>OFF</i> position. | Rotate the steaming knob clockwise. |
| | Coffee powder is too fine. | Increase the grind size. |
| The coffee is cold. | The cups are not preheated. | Preheat the cups on the cup tray or with the steaming wand. |
| | The appliance is not preheated. | Press one of the cup extraction buttons to preheat the appliance with water. |
| | Brewing temperature is too low. | Change the brewing temperature. |
| The coffee has a sour taste. | The coffee is expired. | Use fresh coffee beans and store the closed packaging on a cool and dark place. |

| Problem | Possible cause | Solution |
|--|---|--|
| The appliance does not dispense steam. | The coffee extraction buttons constantly light up white. The steaming function is not activated yet. | The steaming function button blinks. The steaming function is not ready yet. |
| | The steaming function button blinks. The steaming function is not ready yet. | Wait until the steaming function button constantly light up white. |
| | The steaming function is used for more than 2 minutes. | Switch off the steaming function for at least 1 minute. |
| | The water level in the water tank is too low. | Refill the water tank to the <i>MAX</i> indicator. Install the water tank correctly. |
| | The steaming wand nozzle is clogged. | Clean the steaming wand nozzle (Chapter <i>Monthly maintenance</i>). |
| | The appliance is damaged | Contact Solis or a Solis authorized service center. |
| | The water filter cartridge is logged. | Replace the water filter cartridge (see chapter <i>Replacing the water filter cartridge</i>). |

| Problem | Possible cause | Solution |
|--|--|--|
| The appliance does not dispense hot water. | The steaming function button blinks or constantly lights up white. The steaming function is activated. | Press one of the cup extraction buttons. |
| | The cup extraction buttons blink. The hot water function is not ready yet. | Wait until the cup extraction buttons constantly light up white. |
| | The water level in the water tank is too low. | Refill the water tank to the <i>MAX</i> indicator. Install the water tank correctly. |
| | The steaming wand nozzle is clogged. | Clean the steaming wand nozzle (Chapter <i>Monthly maintenance</i>). |
| | The appliance is damaged | Contact Solis or a Solis authorized service center. |
| | The water filter cartridge is logged. | Replace the water filter cartridge (see chapter <i>Replacing the water filter cartridge</i>). |
| The steaming wand fails to steam the milk. | The used milk jug is too big or has an unsuitable shape. | Use another milk jug. |
| | The used milk has less than 3.3% milk protein. | Use milk with more than 3.3% milk protein. |

| Problem | Possible cause | Solution |
|--|---|---|
| Coffee runs out from the edges of the portafilter. | The portafilter is not attached properly. | Stop the brewing process by pressing the used cup extraction button again. Reinstall the portafilter. |
| | There is too much coffee ground in the portafilter. | Stop the brewing process by pressing the used cup extraction button again. Remove the portafilter. Use the appliance again with less coffee ground. |
| | Coffee ground sticks to the brewing head. | Let the appliance cool down. Clean the brewing head with a moist sponge or cloth. |
| | The holes in the single wall filter are clogged. | Clean the single wall filter with the cleaning tool. |
| | The coffee ground is too fine. | Change the grind size. |
| The grinder stops during the grinding process. | The grinder is blocked. | See chapter <i>Cleaning a blocked grinder</i> . |
| The appliance does not function. | The power connection is not working. | Make sure the power cable is connected to a working power source. |
| | The appliance is not switched on. | Make sure the appliance is switched on. |
| | The appliance is damaged. | Press any button. If the appliance doesn't switch on, the appliance is damaged. Contact Solis or a Solis authorized service center. |

▲ ALARMS

⚠ It is possible that multiple alarm signals are visible at the same time. When this occurs, fix all the alarms individually according to the description in this manual. When both cup extraction buttons light up white, the appliance is ready for use.

| Alarm | Meaning | Solution |
|--|--|---|
| Display shows: <i>OP</i> | The appliance asks to open the steaming knob during the descaling function. | Put the steam wand into a container and rotate the steaming knob anticlockwise. |
| Display shows: <i>CL</i> | The appliance asks to close the steaming knob during the descaling function. | Put the steam wand into a container and rotate the steaming knob clockwise. |
| Display shows: <i>H2O</i> | The water level in the water tank is too low. | Refill the water tank. |
| Display shows: <i>S/M/H</i> | S, M, and H show the selected water hardness. (s: soft, m: medium, h: hard). | Use the strip to measure the water hardness and set the appliance accordingly. |
| Steaming function button flashes red | The appliance needs to be descaled. | See chapter <i>Descaling</i> . |
| Double cup extraction button flashes white and red | The appliance needs to be cleaned with a cleaning tablet. | See chapter <i>Using the brewing head cleaning cycle</i> . |
| Single cup extraction button flashes white and red | The water filter cartridge needs to be replaced, | See chapter <i>Replacing the water filter cartridge</i> . |
| Both cup extraction buttons are flashing and an alarm is audible | Water tank is empty. | Fill the water tank. |
| | The coffee ground is too fine. | Change the grind size. |

▲ DISPOSAL



This marking indicates that this product should not be disposed with other household wastes throughout the EU. To prevent possible harm to the environment or human health from uncontrolled waste disposal, recycle it responsibly to promote the sustainable reuse of material resources. To return your used device, please use the return and collection systems or contact the retailer where the product was purchased. They can take this product for environmental safe recycling.

▲ 2 YEAR GUARANTEE

 Only valid with a till receipt.

We provide a guarantee for this appliance, if the defect has demonstrably arisen as a result of faults in the material or construction, and has arisen despite proper handling and care. Glass breakage is not covered by the guarantee. The guarantee starts from the date of sale, as noted on the sales receipt, which must be enclosed with the appliance. For commercial use, the guarantee lasts for 12 months. The detailed guarantee conditions are available at www.solis.com.

▲ SOLIS CUSTOMER SERVICE

It is always worth calling us before sending in the appliance, as malfunctions can often be easily solved by the appropriate tip or trick from our experts. Please visit us at www.solis.com for countryspecific contact details. Naturally, we would also be pleased to provide you with information over the phone. Please contact us via the following telephone numbers:

| | |
|------------------|------------------|
| For Switzerland: | +41 91 802 90 10 |
|------------------|------------------|

| | |
|--------------|---------------|
| For Germany: | 0800 724 0702 |
|--------------|---------------|

| | |
|--------------|---------------|
| For Austria: | 0800 22 03 92 |
|--------------|---------------|

| | |
|----------------------|-----------------|
| For the Netherlands: | +31 85 4010 722 |
|----------------------|-----------------|

| | |
|--------------|-----------------|
| For Belgium: | +32 2 808 35 82 |
|--------------|-----------------|

| | |
|--------------------------|------------------|
| For the other countries: | +41 44 874 64 84 |
|--------------------------|------------------|

CH**Schweiz / Suisse / Svizzera**

✉ Solis Produzione SA
Centro Solis
Via Penate 4
CH – 6850 Mendrisio

Adresse für Warenretouren abweichend – siehe:

Adresse différente pour les retours de produit – voir:

Indirizzo differente per resi di merce - vedi:

www.solis.com

☎ 091 – 802 90 10
@ support.ch@solis.com
🌐 www.solis.ch

D**Deutschland**

✉ Solis Deutschland GmbH
Marienstrasse 10
D – 78054 Villingen-
Schwenningen

Adresse für Warenretouren abweichend – siehe:

www.solis.com

☎ 0800 – 724 07 02
@ info.de@solis.com
🌐 www.solis.de

AT**Österreich**

✉ Solis Austria
Bruderhofstrasse 10
A – 6800 Feldkirch

Adresse für Warenretouren abweichend – siehe:

www.solis.com

☎ 0800 – 22 03 92
@ info.at@solis.com
🌐 www.solis.at

NL**Nederland**

✉ Solis Benelux BV
Stadskade 318
NL – 7311 XX Apeldoorn

Afwijkend adres voor productretouren – zie:

www.solis.com

☎ 085 – 4010 722
@ info.nl@solis.com
🌐 www.solisonline.nl

B**LU****België / Belgique
Belgien / Luxembourg**

✉ Solis Benelux BV
Stadskade 318
NL – 7311 XX Apeldoorn

Address for return shipment of goods differs – please refer to:

Afwijkend adres voor productretouren – zie:

Adresse différente pour les retours de produit – voir:

www.solis.com

☎ +32 – (0)2 – 808 35 82
@ info.be@solis.com
🌐 www.solis.be

INT**International**

✉ Solis Produzione SA
Centro Solis
Via Penate 4
CH – 6850 Mendrisio
Switzerland

Address for return shipment of goods differs – please refer to www.solis.com

☎ +41 – 91 – 802 90 10
@ support.ch@solis.com
🌐 www.solis.com

SINCE 1908

Solis

Solis of Switzerland Ltd

Solis-House • CH-8152 Glattbrugg-Zurich • Switzerland
www.solis.ch • www.solis.com

Please visit us at

www.solis.com